

# INTERNATIONAL STANDARD

**ISO**  
**8566-4**

First edition  
1998-02-15

---

---

## **Cranes — Cabins —**

### **Part 4: Jib cranes**

*Appareils de levage à charge suspendue — Cabines —*

*Partie 4: Grues à flèche*

**iTeh STANDARD PREVIEW**  
**(standards.iteh.ai)**

ISO 8566-4:1998

<https://standards.iteh.ai/catalog/standards/sist/b1619349-1d99-440d-ac7e-ce491d2614e8/iso-8566-4-1998>



ISO 8566-4:1998(E)

## Foreword

ISO (the International Organization for Standardization) is a worldwide federation of national standards bodies (ISO member bodies). The work of preparing International Standards is normally carried out through ISO technical committees. Each member body interested in a subject for which a technical committee has been established has the right to be represented on that committee. International organizations, governmental and non-governmental, in liaison with ISO, also take part in the work. ISO collaborates closely with the International Electrotechnical Commission (IEC) on all matters of electrotechnical standardization.

Draft International Standards adopted by the technical committees are circulated to the member bodies for voting. Publication as an International Standard requires approval by at least 75 % of the member bodies casting a vote.

International Standard ISO 8566-4 was prepared by Technical Committee ISO/TC 96, *Cranes*, Subcommittee SC 8, *Jib cranes*.

ISO 8566 consists of the following parts, under the general title *Cranes — Cabins*:

- *Part 1: General*
- *Part 2: Mobile cranes*
- *Part 3: Tower cranes*
- *Part 4: Jib cranes*
- *Part 5: Overhead travelling and portal bridge cranes*

© ISO 1998

All rights reserved. Unless otherwise specified, no part of this publication may be reproduced or utilized in any form or by any means, electronic or mechanical, including photocopying and microfilm, without permission in writing from the publisher.

International Organization for Standardization  
Case postale 56 • CH-1211 Genève 20 • Switzerland  
Internet central@iso.ch  
X.400 c=ch; a=400net; p=iso; o=isocs; s=central

Printed in Switzerland

# Cranes — Cabins —

## Part 4: Jib cranes

### 1 Scope

This part of ISO 8566 specifies the requirements for cabins for jib cranes as defined in ISO 4306-1.

### 2 Normative references

The following standards contain provisions which, through reference in this text, constitute provisions of this part of ISO 8566. At the time of publication, the editions indicated were valid. All standards are subject to revision, and parties to agreements to investigate the possibility of applying the most recent editions of the standards indicated below. Members of IEC and ISO maintain registers of currently valid International Standards.

ISO 4306-1:1990, *Cranes — Vocabulary — Part 1: General*.

ISO 7752-1:1983, *Lifting appliances — Controls — Layout and characteristics — Part 1: General principles*.

ISO 7752-4:1989, *Cranes — Controls — Layout and characteristics — Part 4: Jib cranes*.

ISO 8566-1:1992, *Cranes — Cabins — Part 1: General*.

### 3 Construction of the cabin

**3.1** The general requirements given in ISO 8566-1 for the construction of the cabin are applicable.

**3.2** The cabin dimensions specified in figure 1 are the minimum requirements and should be made greater where practical. Taken through the Seat Index Point (SIP), the minimum inside height shall be 1 700 mm, the minimum inside breadth 1 000 mm and the minimum inside depth 1 500 mm (see figure 1).

The minimum total internal volume of the cabin shall be 3,1 m<sup>3</sup>. In determining the volume and dimensions, allowance shall be made for the number of persons working in the cabin, the working time actually spent and the need for the operator(s) to be sitting and/or standing.

**3.3** The driver shall, where required, have visibility directly above his head and below his feet.

**3.4** To facilitate maintenance activities, an electric socket shall be provided in the cabin.

## 4 Driver's seat

Taking into account the actual conditions of use, the seat, where provided, shall be

- a) steady and have the dimensions given in figure 2;
- b) easily adjustable to a convenient sitting position;
- c) equipped with an inclinable back rest which is suitably shaped and supports the back;
- d) covered in a material which does not enhance perspiration;
- e) equipped with springs and/or cushioning to minimize vibrations and a neck rest;
- f) fitted with padded elbow rests;
- g) so constructed as to allow easy access.

It shall be possible to incline the whole seat backwards  $3^{\circ}$  to  $7^{\circ}$ . The seat shall also be adjustable  $\pm 80$  mm from the mid-position in the horizontal direction (forwards and backwards), and  $\pm 50$  mm from the mid-position in the vertical direction.

## 5 Control elements

5.1 The general layout and characteristics of the control elements shall be in accordance with ISO 7752-1.

5.2 The principles specific to jib cranes shall be in accordance with ISO 7752-4.

**iTeh STANDARD PREVIEW**  
(standards.iteh.ai)

## 6 Heating and cooling

6.1 It shall be possible to maintain the cabin temperature between  $20^{\circ}\text{C}$  and  $30^{\circ}\text{C}$  during operation except under extreme external conditions.

6.2 The cabin design shall be such as to minimize draughts and heat losses, and to ensure that the spatial temperature differential does not exceed  $6^{\circ}\text{C}$  except in the most extreme weather conditions.

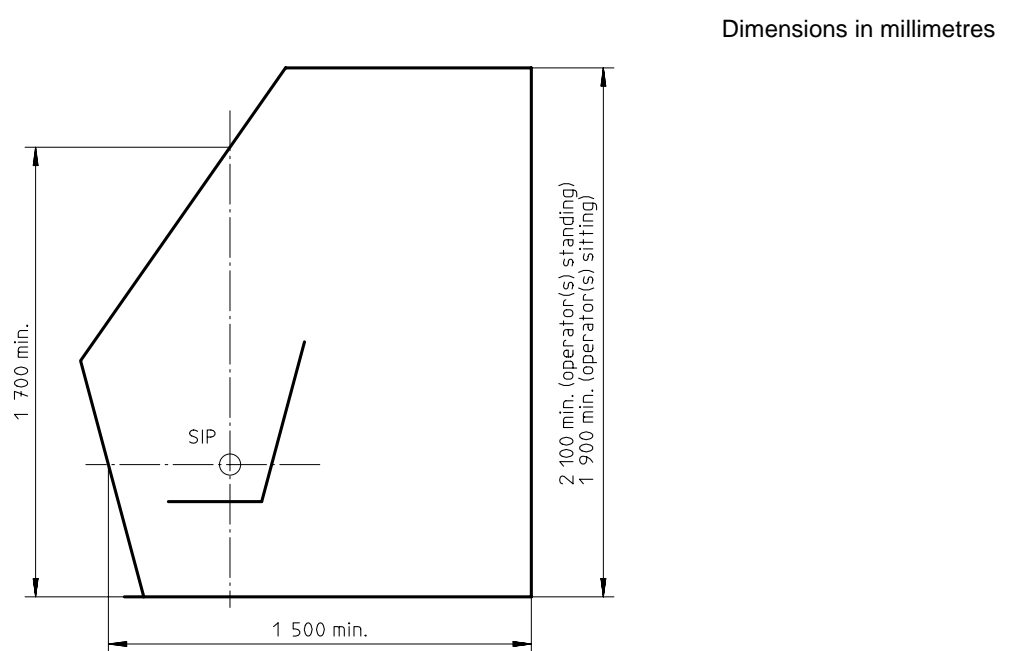


Figure 1 — Cabin dimensions

Dimensions in millimetres

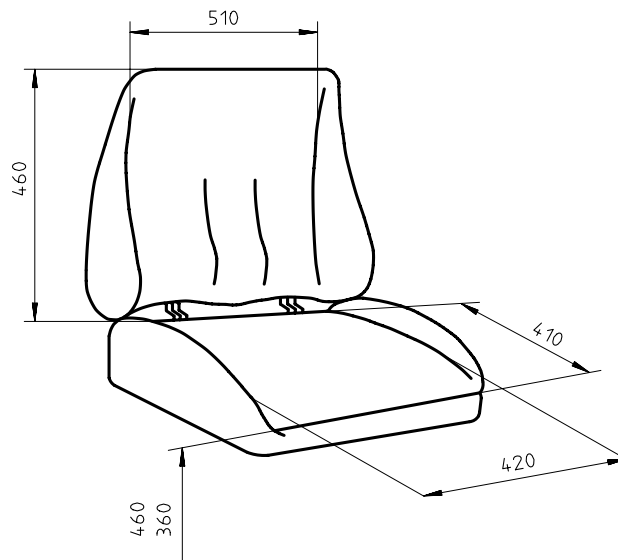


Figure 2 — Seat dimensions

**iTeh STANDARD PREVIEW**  
**(standards.iteh.ai)**

[ISO 8566-4:1998](https://standards.iteh.ai/catalog/standards/sist/b1619349-1d99-440d-ac7e-ce491d2614e8/iso-8566-4-1998)

<https://standards.iteh.ai/catalog/standards/sist/b1619349-1d99-440d-ac7e-ce491d2614e8/iso-8566-4-1998>

**iTeh STANDARD PREVIEW**  
**(standards.iteh.ai)**

ISO 8566-4:1998

<https://standards.iteh.ai/catalog/standards/sist/b1619349-1d99-440d-ac7e-ce491d2614e8/iso-8566-4-1998>

---

---

**ICS 53.020.20**

**Descriptors:** handling equipment, lifting equipment, cranes (hoists), jib cranes, operating stations, protective cabins, specifications.

Price based on 3 pages

---

---