



# SLOVENSKI STANDARD

## SIST EN 1502:2000

01-december-2000

---

### Inland navigation vessels - Boarding ladders

Inland navigation vessels - Boarding ladders

Fahrzeuge der Binnenschifffahrt - Außenbordtreppen

Bateaux de navigation intérieure - Echelles de bordaille

Ta slovenski standard je istoveten z: **EN 1502:1995**

[SIST EN 1502:2000](https://standards.iteh.ai/catalog/standards/sist/5fe98402-7fb2-4c6e-b743-d48a1ac50c9f/sist-en-1502-2000)

<https://standards.iteh.ai/catalog/standards/sist/5fe98402-7fb2-4c6e-b743-d48a1ac50c9f/sist-en-1502-2000>

#### **ICS:**

47.020.10	Ladijski trupi in njihovi konstrukcijski elementi	Hulls and their structure elements
47.060	Jezerska in rečna plovila	Inland navigation vessels

**SIST EN 1502:2000**

**en**

**iTeh STANDARD PREVIEW**  
**(standards.iteh.ai)**

SIST EN 1502:2000

<https://standards.iteh.ai/catalog/standards/sist/5fe98402-7fb2-4e6e-b743-d48a1ac50c9f/sist-en-1502-2000>

EUROPEAN STANDARD

EN 1502

NORME EUROPÉENNE

EUROPÄISCHE NORM

November 1995

ICS 47.020.10; 47.060

Descriptors: inland navigation, ships, planking, ladders, definitions, safety, dimensions, stability, tests, testing conditions, designation, marking

English version

**Inland navigation vessels - Boarding ladders**

Bateaux de navigation intérieure - Echelles de bordaille - Fahrzeuge der Binnenschifffahrt - Außenbordtreppen

**(standards.iteh.ai)**

SIST EN 1502:2000

<https://standards.iteh.ai/catalog/standards/sist/5fe98402-7fb2-4c6e-b743-d48a1ac50c9f/sist-en-1502-2000>

This European Standard was approved by CEN on 1995-04-13. CEN members are bound to comply with the CEN/CENELEC Internal Regulations which stipulate the conditions for giving this European Standard the status of a national standard without any alteration.

Up-to-date lists and bibliographical references concerning such national standards may be obtained on application to the Central Secretariat or to any CEN member.

The European Standards exist in three official versions (English, French, German). A version in any other language made by translation under the responsibility of a CEN member into its own language and notified to the Central Secretariat has the same status as the official versions.

CEN members are the national standards bodies of Austria, Belgium, Denmark, Finland, France, Germany, Greece, Iceland, Ireland, Italy, Luxembourg, Netherlands, Norway, Portugal, Spain, Sweden, Switzerland and United Kingdom.

**CEN**

European Committee for Standardization  
Comité Européen de Normalisation  
Europäisches Komitee für Normung

Central Secretariat: rue de Stassart, 36 B-1050 Brussels

© 1995

All rights of reproduction and communication in any form and by any means reserved in all countries to CEN and its members.

Ref. No. EN 1502:1995 E

**Contents**

Foreword .....	2
1 Scope .....	3
2 Normative references .....	3
3 Definitions .....	3
4 Safety requirements .....	4
4.1 Design .....	4
4.2 Dimensions .....	5
4.3 Strength .....	6
4.4 Construction .....	6
4.5 Materials .....	6
5 Testing .....	6
6 Designation .....	7
7 Marking .....	7
Annex A (informative): A-Deviations .....	8

**iTeh STANDARD PREVIEW**  
(standards.iteh.ai)

SIST EN 1502:2000

[https://standards.iteh.ai/catalog/standards/sist/5fe98402-7fb2-4e6e-b743-](https://standards.iteh.ai/catalog/standards/sist/5fe98402-7fb2-4e6e-b743-d48a1ac50c9f/sist-en-1502-2000)

[d48a1ac50c9f/sist-en-1502-2000](https://standards.iteh.ai/catalog/standards/sist/5fe98402-7fb2-4e6e-b743-d48a1ac50c9f/sist-en-1502-2000)

**Foreword**

This European Standard has been prepared by the Technical Committee CEN/TC 15 "Inland navigation vessels", of which the secretariat is held by DIN.

This European Standard shall be given the status of a national standard, either by publication of an identical text or by endorsement, at the latest by May 1996, and conflicting national standards shall be withdrawn at the latest by May 1996.

In accordance with the CEN/CENELEC Internal Regulations, the following countries are bound to implement this European Standard: Austria, Belgium, Denmark, Finland, France, Germany, Greece, Iceland, Ireland, Italy, Luxembourg, Netherlands, Norway, Portugal, Spain, Sweden, Switzerland and United Kingdom.

## 1 Scope

This standard specifies the design, dimensions, strength requirements and test conditions which shall be complied with for reasons of safety.

Boarding ladders are used on inland navigation vessels for climbing into ship's boats, disembarking or crossing over onto vessels with lower decks.

They are not intended for use by passengers.

Boarding ladders are generally required for vessels having a boarding height greater than 1,5 m above the light water-line. They may be used up to a height of around 3,0 m above the light water-line.

## 2 Normative references

This European Standard incorporates by dated or undated reference, provisions from other publication. These normative references are cited at the appropriate places in the text and the publications are listed hereafter. For dated references, subsequent amendments to or revisions of any of these publications apply to this European Standard only when incorporated in it by amendment or revision. For undated references the latest edition of the publication referred to applies.

EN 485-1	Aluminium and aluminium alloys - Sheet, strip and plate - Part 1: Technical conditions for inspection and delivery <a href="https://standards.iteh.ai/catalog/standards/sist/5fe98402-7fb2-4c6e-b743-">https://standards.iteh.ai/catalog/standards/sist/5fe98402-7fb2-4c6e-b743-</a>
prEN 754-1	Aluminium and aluminium alloys - Wrought products - Cold drawn rod/bar and tube - Part 1: Technical conditions for inspection and delivery
EN 790:1994	Inland navigation vessels - Stairs with inclination angles of 45° to 60° - Requirements, types
ISO 2768-1:1989	General tolerances - Part 1: Tolerances for linear and angular dimensions without individual tolerance indications

## 3 Definitions

For the purposes of this standard, the following definitions apply:

- 3.1 **boarding ladder:** Movable ladder to be attached to the shipside for boarding and disembarking.
- 3.2 **string:** According to 3.8 of EN 790:1994
- 3.3 **step:** According to 3.5 of EN 790:1994
- 3.4 **angle of inclination:** According to 3.2 of EN 790:1994
- 3.5 **handrail:** According to 3.11.1 of EN 790:1994
- 3.6 **spacer:** Component which holds the boarding ladder at the specified angle to the shipside.
- 3.7 **hook:** Component for hanging the boarding ladder from the shipside.

## 4 Safety requirements

### 4.1 Design

Boarding ladders are not expected to conform to the designs illustrated here; compliance is only required in the case of the dimensions and specifications given.

#### 4.1.1 Steps

The steps shall be slip-resistant.

#### 4.1.2 Handrail

4.1.2.1 The handrail shall be made from tubular section.

4.1.2.2 The handrail shall only be fitted on one side, the right hand side as one ascends.

4.1.2.3 The handrail shall be run parallel to the string from the third step from the bottom and attached to the string between the second and third step from the bottom.

4.1.2.4 It shall be possible to grip the handrail horizontally at its upper end.

4.1.2.5 The handrail shall be connected at its upper end to the hook.

#### 4.1.3 Spacer

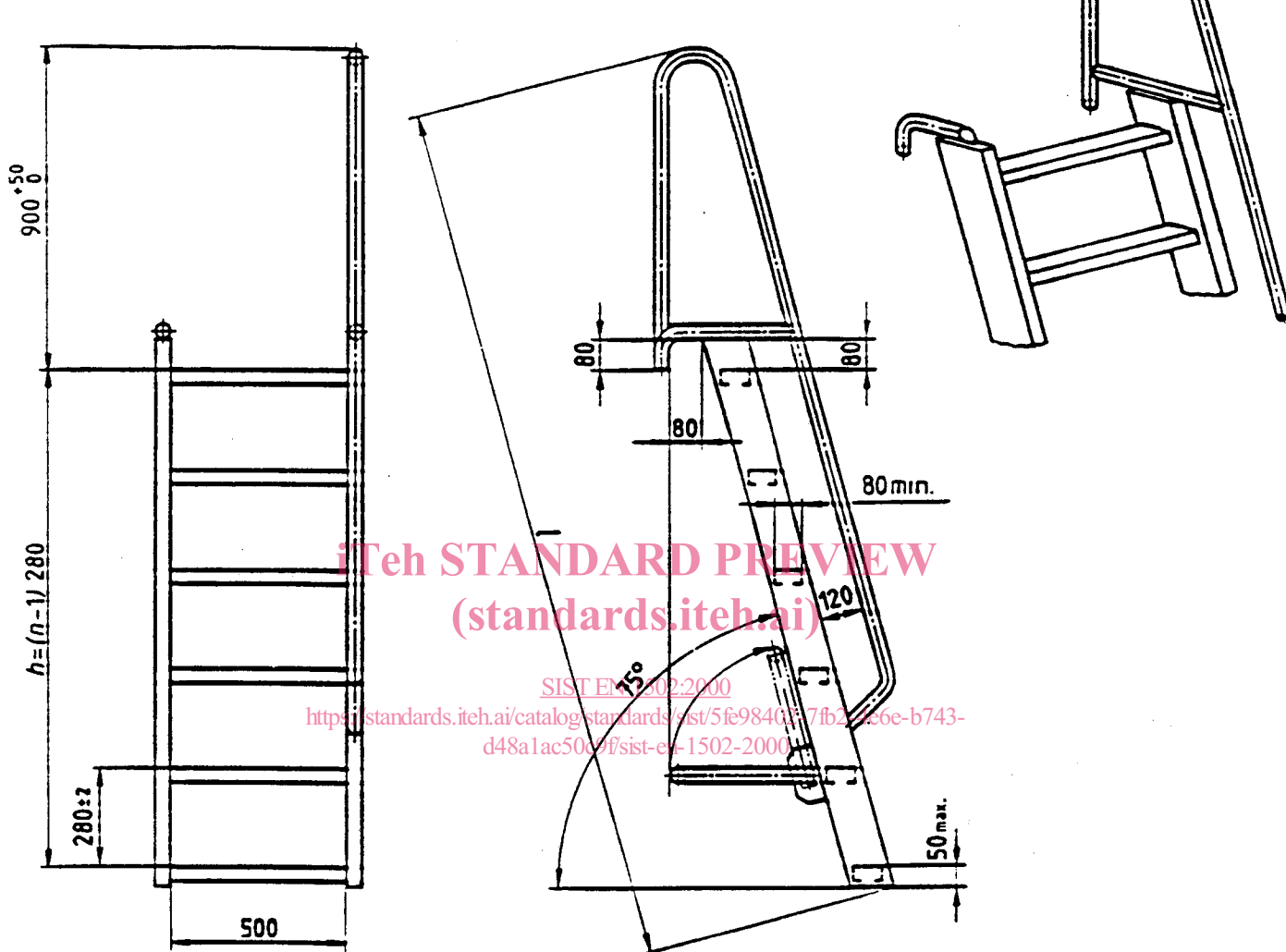
4.1.3.1 Where the spacer comes into contact with the shipside, it shall be designed so that the contact surface is not less than 500 mm wide or the contact points are at least 500 mm apart.

4.1.3.2 The spacer shall be attached to the two strings. If it is of the folding type, it shall be capable of being locked in its operating position.

**4.2 Dimensions**

See figure 1 and table 1

Edges shall be rounded to min. R 1,5



Dimensions in mm

General tolerance: ISO 2768-c

Data which have not been specified shall be selected as appropriate

**Figure 1: Boarding ladder having 6 steps****Table 1: Main dimensions and permissible maximum mass of boarding ladders**

No. of steps $n$	$h$ $\pm 4$ mm	$l$ $\approx$ mm	permiss. mass max. kg
6	1400	2430	11
7	1680	2720	12,5
8	1960	3010	14
9	2240	3300	15,5
10	2520	3590	17

### 4.3 Strength

4.3.1 The boarding ladder steps shall be designed for a rated load of 1,5 kN.

4.3.2 A boarding ladder shall be designed for two rated loads of 1,5 kN each, applied simultaneously to the top and bottom steps.

4.3.3 The handrail shall be able to withstand a force of 300 N applied in any direction.

### 4.4 Construction

4.4.1 Boarding ladders shall be buoyant.

4.4.2 The hollow sections shall be watertight.

4.4.3 Boarding ladders shall not have burrs or other sharp edges that will lead to injuries.

4.4.4 The mass of a boarding ladder shall not exceed the values mentioned in table 1.

### 4.5 Materials

<https://standards.iteh.ai/catalog/standards/sist/5fe98402-7fb2-4e6e-b743-d48a1ac50c9f/sist-en-1502-2000>

Boarding ladders may be made of aluminium or other appropriate materials. The surface shall be durably protected against inclement weather. Semi-finished aluminium products shall be selected in accordance with EN 485-1 or prEN 754-1.

## 5 Testing

According to the specifications of this standard, compliance with the safety requirements for boarding ladders shall be verified by visual inspection and measurements taken by accredited institutions.

### 5.1 Materials testing

Materials testing shall be by presentation of materials certificates.

### 5.2 Strength tests

A boarding ladder shall be supported by the hooks and held by the spacer so that there is a 75° angle of inclination.

5.2.1 Each step shall be loaded in turn with a 2,5 kN test load. After removing the load, there shall be no permanent deformation.

5.2.2 The top and bottom step shall be loaded simultaneously with 2,5 kN test loads. After removing the loads, there shall be no permanent deformation.

5.2.3 The boarding ladder is to be fixed before carrying out the test in order to prevent movement. The railing shall be loaded with a 500 N test load, effective in any direction, successively at the upper end and at the mid point between attachment points. After removing the load, there shall be no permanent deformation.



### 5.3 Buoyancy test

Buoyancy shall be demonstrated by submerging the boarding ladder in freshwater. If air is used to provide buoyancy there shall be no leakage of air from the sealed sections.

### 5.4 Visual and functional inspection

All requirements not mentioned under 5.1 to 5.3, shall be verified by visual inspection and practical tests.

### 6 Designation

**iTeh STANDARD PREVIEW**  
(standards.iteh.ai)

The designation of a boarding ladder as specified in this standard, having 6 steps shall be:

Boarding ladder EN 1502-6

[SIST EN 1502:2000](https://standards.iteh.ai/catalog/standards/sist/5fe98402-7fb2-4c6e-b743-d48a1ac50c9f/sist-en-1502-2000)

<https://standards.iteh.ai/catalog/standards/sist/5fe98402-7fb2-4c6e-b743-d48a1ac50c9f/sist-en-1502-2000>

### 7 Marking

Boarding ladders shall be marked by means of a manufacturer's plate.

The manufacturer's plate shall be weather resistant and permanently attached to the inner side of a string. It shall contain at least the following information:

- |                        |   |
|------------------------|---|
| a) Designation:        | Boarding ladder EN 1502 - Number of steps               |
| b) Load:               | Permissible deadweight: 2 persons or 150 kg single load |
| c) Origin:             | Manufacturer or supplier<br>(Name, town and country)    |
| d) Manufacturing data: | Serial number and year of manufacture                   |
| e) Proof of testing:   | Test mark   |