



SLOVENSKI STANDARD

SIST EN 148-2:1996

01-april-1996

Oprema za varovanje dihal - Navoji na maskah - Povezava s središčnim navojem

Respiratory protective devices - Threads for facepieces - Centre thread connection

Atenschutzgeräte - Gewinde für Atemanschlüsse - Zentralgewindeanschluß

Appareils de protection respiratoire - Filetages pour pieces faciales - Raccord a filetage central

(standards.iteh.ai)

Ta slovenski standard je istoveten z: EN 148-2:1987/AC:1992

<https://standards.iteh.ai/catalog/standards/sist/b2b098c1-e2a7-428b-9980-f3d5d119d951/sist-en-148-2-1996>

ICS:

13.340.30 Varovalne dihalne naprave Respiratory protective devices

SIST EN 148-2:1996

en

iTeh STANDARD PREVIEW
(standards.iteh.ai)

SIST EN 148-2:1996

<https://standards.iteh.ai/catalog/standards/sist/b2b098c1-e2a7-428b-9980-f3d5d119d951/sist-en-148-2-1996>

EUROPEAN STANDARD
NORME EUROPÉENNE
EUROPAISCHE NORM

EN 148

Part 2

June 1987

UDC 614.894:621.882.082:621.643.414:62-762.444

-04- 1996

Key words : Personal protective equipment, Respiratory protective device,
 Facepiece, Thread connection.

English version

**Respiratory protective devices;
 Threads for facepieces;
 Centre thread connection**

Appareils de protection respiratoire;
 Filetages pour pièces faciales;
 Raccord à filetage central

Atemschutzgeräte;
 Gewinde für Atemanschlüsse;
 Zentralgewindeanschluss

iTeh STANDARD PREVIEW

This European Standard was accepted by CEN on 1987-04-27 .
 CEN members are bound to comply with the requirements of CEN
 Internal Regulations which stipulate the conditions for giving
 this European Standard the status of a national standard
 without any alteration.

Up-to-date lists and bibliographical references concerning such
 national standards may be obtained on application to the CEN
 Central Secretariat or to any CEN member.

This European Standard exists in three official versions
 (English, French, German). A version in any other language
 made by translation under the responsibility of a CEN member
 into its own language and notified to CEN Central Secretariat
 has the same status as the official versions.

CEN members are the national standards organizations of
 Austria, Belgium, Denmark, Finland, France, Germany, Greece,
 Ireland, Italy, Netherlands, Norway, Portugal, Spain, Sweden,
 Switzerland and United Kingdom.

CEN

European Committee for Standardization
 Comité Européen de Normalisation
 Europäisches Komitee für Normung

Central Secretariat : Rue Bréderode 2, B-1000 Brussels

Brief History

This Draft European Standard was drawn up by CEN/TC 79 'Respiratory Protective Devices', the secretariat of which is held by DIN.

Work on this prEN was started in 1982 in Sub Group 3 (SG 3) 'Facepieces' under German chairmanship.

This prEN is based on the following standard:
DIN 3183 Part 1

At the Plenary Meeting of CEN/TC 79 in Denmark in June 1983 this Draft Proposal was submitted and accepted unanimously by CEN/TC 79. It was then sent to the CEN/TC 79 Secretariat for publication as Draft European Standard.

In September 1983 the Draft European Standard prEN 148 was circulated by the CEN Central Secretariat in Brussels to all CEN Members for vote and comments. Within the voting period 10 Members have approved and 5 Members have disapproved the document.

The comments received were discussed and decided on during the following meetings of SG 3.

According to the Common CEN/CENELEC Rules, following countries are bound to implement this European Standard:

Austria, Belgium, Denmark, Finland, France, Germany, Ireland, Italy, Netherlands, Spain, Sweden, Switzerland, United Kingdom.

1 Object and field of application

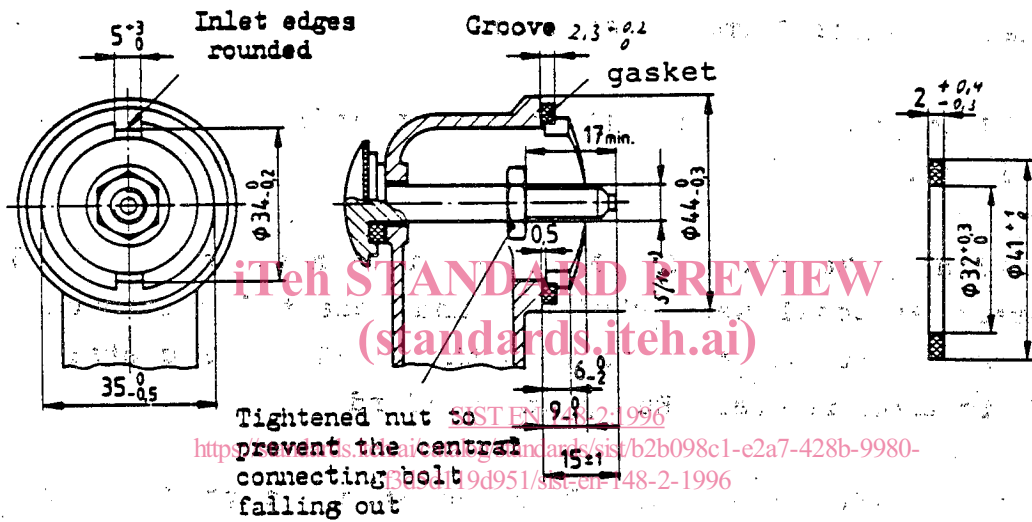
This European Standard applies to centre threads for respiratory protective devices. This standard does not apply to diving equipment and to positive pressure demand breathing apparatus.

2 Centre thread connector (A) for CO₂-absorbing cartridges

2.1 Coupling elbow AA

2.2 Gasket

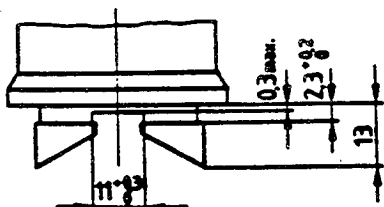
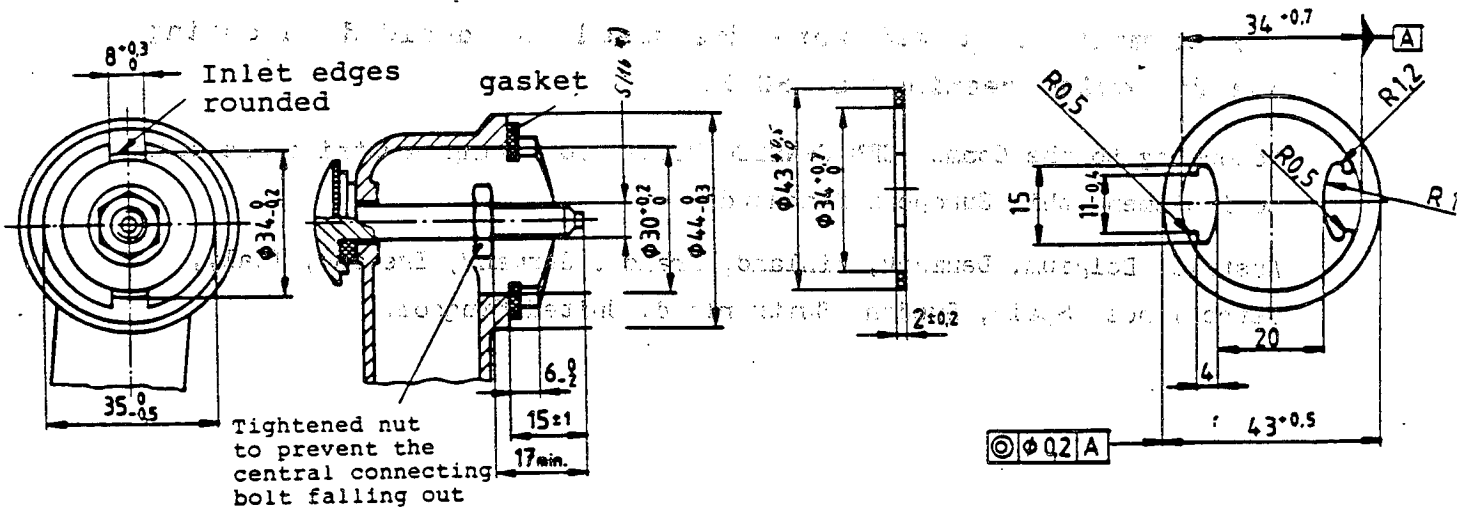
Position of slots optional



3 Centre thread connector (B) for equipment connector

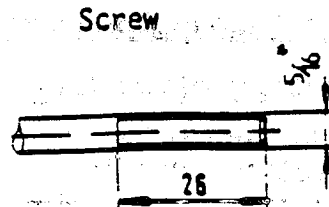
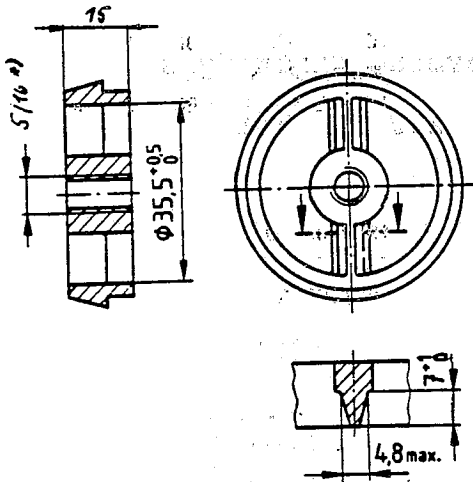
3.1 Coupling elbow BA

3.2. Gasket



*) Specification see clause 5

4 Thread bridge AB (for connector A and B)



*) Specification see clause 5

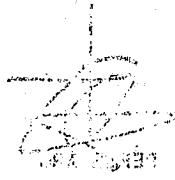
ITIH STANDARD PREVIEW
(standards.iteh.ai)

5 Dimensions for thread 5/16

SIST EN 148-2:1996
<https://standards.iteh.ai/catalog/standards/sist/b2b098c1-e2a7-428b-d5d119d951/sist-en-148-2-1996> Dimensions in mm

Thread	Thread limits											Pitch	Number of threads per 24,5	Thread height	
	External Thread						Internal Thread								
	Major diameter		Pitch diameter		Minor diameter		Major diameter		Pitch diameter		Minor diameter				
max.	min.	max.	min.	max.	min.	max.	min.	max.	min.	max.	min.				
5/16 *)	7,937	7,805	7,033	6,962	6,129	5,979	7,937	-	7,139	7,033	6,588	6,129	1,411	18	0,904

*) According to British Standard BS 84-1956



CEN

European Committee for Standardization
Comité Européen de Normalisation
Europäisches Komitee für Normung

RUE DE STASSART, 36 - 1050 BRUXELLES - Tel. + 32 2 519.00.11 - Fax + 32 2 519.00.19 - Telex 206 2210087 - CENCEL - Tx 172210087

CORRIGENDUM	
to the adopted European Standard	
CORRIGENDUM	
à la Norme Européenne adoptée	EN 148-2:1987
CORRIGENDUM	
zu der angenommen Europäischen Norm	
Respiratory protective devices - Threads for facepieces	
- Centre thread connection	

TO THE MEMBERS OF CEN
AUX MEMBRES DU CEN
AN DIE MITGLIEDER DES CEN

1992-05-20
EN 148-2
103/23543

iTeh STANDARD PREVIEW

Dear Member,

We hereby issue this corrigendum to EN 148-2 (1987), to modify the European Standard in the English, French and German version as requested by DIN.

We kindly request you to incorporate this corrigendum in the official versions of the European Standard.

Yours faithfully,

Enclosures

NA/go

Cher Membre,

Nous vous adressons le corrigendum à l'EN 148-2 (1987) pour modifier cette norme européenne dans sa version anglaise, française et allemande à la demande du DIN.

Veuillez incorporer ce corrigendum dans les versions officielles de cette Norme Européenne.

Veuillez agréer, Cher Membre, l'expression de nos sentiments distingués.

J. REPUSSARD
Secretary General
CEN

Sehr geehrtes Mitglied,

Wir veröffentlichen dieses Corrigendum zur EN 148-2 (1987), um die Europäische Norm in englischer, französischer und deutscher Sprache auf Anträge von DIN zu ändern.

Wir bitten Sie, dieses Corrigendum in die offiziellen Fassungen dieser Europäischen Norm einzufügen.

Mit freundlichen Grüßen

iTeh STANDARD PREVIEW (standards.iteh.ai)

[SIST EN 148-2:1996](https://standards.iteh.ai/catalog/standards/sist/b2b098c1-e2a7-428b-9980-f3d5d119d951/sist-en-148-2-1996)

<https://standards.iteh.ai/catalog/standards/sist/b2b098c1-e2a7-428b-9980-f3d5d119d951/sist-en-148-2-1996>

