

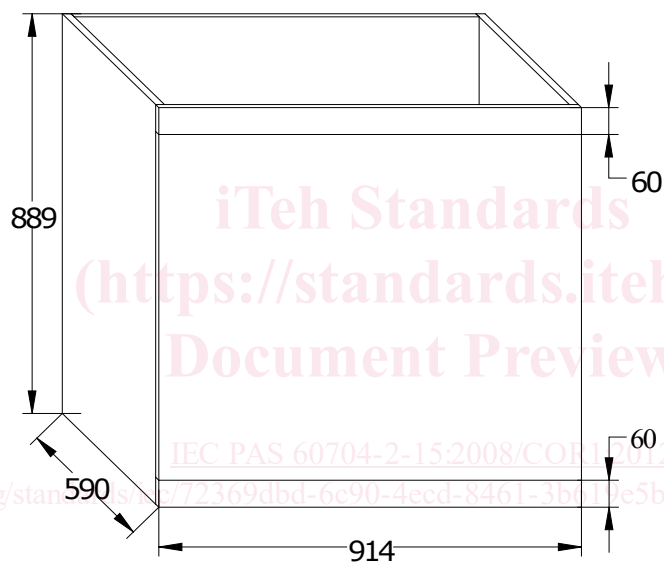
IEC/PAS 60704-2-15
(First edition – 2008)

Household and similar electrical appliances –
Test code for the determination of airborne acoustical noise –
Part 2-15: Particular requirements for household food waste disposers

CORRIGENDUM 1

Figure 101 – Test enclosure

Replace the existing figure with the following:



Dimensions in millimeters

NOTE 1 Material: 19 mm thick untreated particle-board (chipboard) or untreated plywood, having a density between 600 kg/m³ and 750 kg/m³.

NOTE 2 Front panel should be removable to access disposer plumbing.

Figure 101 — Test enclosure