

INTERNATIONAL
STANDARD

ISO
5074

Second edition
1994-12-15

**Hard coal — Determination of Hardgrove
grindability index**

iTeh STANDARD PREVIEW
Houille — Détermination de l'indice de broyabilité Hardgrove
(standards.iteh.ai)

[ISO 5074:1994](#)

[https://standards.iteh.ai/catalog/standards/sist/77c7e0ea-0a00-467d-95cc-
ea06719eb82c/iso-5074-1994](https://standards.iteh.ai/catalog/standards/sist/77c7e0ea-0a00-467d-95cc-ea06719eb82c/iso-5074-1994)



Reference number
ISO 5074:1994(E)

Foreword

ISO (the International Organization for Standardization) is a worldwide federation of national standards bodies (ISO member bodies). The work of preparing International Standards is normally carried out through ISO technical committees. Each member body interested in a subject for which a technical committee has been established has the right to be represented on that committee. International organizations, governmental and non-governmental, in liaison with ISO, also take part in the work. ISO collaborates closely with the International Electrotechnical Commission (IEC) on all matters of electrotechnical standardization.

Draft International Standards adopted by the technical committees are circulated to the member bodies for voting. Publication as an International Standard requires approval by at least 75 % of the member bodies casting a vote.

International Standard ISO 5074 was prepared by Technical Committee ISO/TC 27, *Solid mineral fuels*, Subcommittee SC 5, *Methods of analysis*.

[https://standards.iteh.ai/catalog/standards/sist/77c7e0ea-0a00-467d-95cc-](https://standards.iteh.ai/catalog/standards/sist/77c7e0ea-0a00-467d-95cc-267191b82c/f/iso-5074-1994)

This second edition cancels and replaces the first edition (ISO 5074:1980), which has been technically revised.

Annexes A and B form an integral part of this International Standard. Annex C is for information only.

Introduction

The Hardgrove grindability test and test machinery are designed and developed to characterize the relative grindability of coals. The Hardgrove grindability index represents a composite physico-mechanical property of the coal, embracing a number of specific properties such as hardness, strength, tenacity and fracture, and is a function primarily of coal rank and secondarily of coal type. Two of the important variables that can influence the result of this determination are the method of sample preparation which involves selective grinding of the coal, and the moisture content of the coal. The Hardgrove grindability index is used empirically to estimate the capacity and power consumption of a pulverizer, given a specified product fineness.

iTeh STANDARD PREVIEW (standards.iteh.ai)

[ISO 5074:1994](https://standards.iteh.ai/catalog/standards/sist/77c7e0ea-0a00-467d-95cc-ea06719eb82c/iso-5074-1994)

<https://standards.iteh.ai/catalog/standards/sist/77c7e0ea-0a00-467d-95cc-ea06719eb82c/iso-5074-1994>

iTeh STANDARD PREVIEW
This page intentionally left blank
(standards.iteh.ai)

[ISO 5074:1994](#)

<https://standards.iteh.ai/catalog/standards/sist/77c7e0ea-0a00-467d-95cc-ea06719eb82c/iso-5074-1994>

Hard coal — Determination of Hardgrove grindability index

1 Scope

This International Standard specifies the method for determining the grindability index of hard coal¹⁾ using the Hardgrove machine. It also specifies the procedure for calibrating the test machine and for preparing the standard reference coal samples.

2 Normative references

The following standards contain provisions which through reference in this text constitute provisions of this International Standard. At the time of publication, the editions indicated were valid. All standards are subject to revision, and parties to agreements based on this International Standard are encouraged to investigate the possibility of applying the most recent editions of the standards indicated below. Members of IEC and ISO maintain registers of currently valid International Standards.

ISO 1988:1975, *Hard coal — Sampling*.

ISO 3310-1:1990, *Test sieves — Technical requirements and testing — Part 1: Test sieves of metal wire cloth*.

3 Definition

For the purposes of this International Standard, the following definition applies.

3.1 hard coal: Coal having a gross calorific value of more than 24 MJ/kg on a moist, ash-free basis.

4 Principle

Treatment of a prepared sample of coal of limited size range under defined conditions in a laboratory apparatus of standardized design (calibrated Hardgrove machine). Derivation of the grindability index from sieve analysis of the ground product and by reference to a calibration chart prepared from standard reference material.

5 Apparatus

5.1 Balance, capable of weighing up to 100 g to an accuracy of 0,01 g.

5.2 Balance, capable of weighing up to 1 500 g to an accuracy of 1 g.

5.3 Sample divider, as specified in A.6.3 of ISO 1988:1975.

5.4 Crusher, a laboratory crusher capable of reducing 4,75 mm coal particles to 1,2 mm with the production of a minimum of material finer than 600 μm . In the case of a plate mill, the plates shall be serrated and about 100 mm in diameter, the distance between the plates being adjustable and the relative frequency of rotation of the plates not exceeding 200 min^{-1} . Roll mills or hammer mills shall not be used.

5.5 Sieves

5.5.1 Wire-cloth test sieves, complying with the requirements of ISO 3310-1, Series R 40/3, of aperture sizes 1,18 mm, 600 μm and 75 μm respectively, and having a cover and receiver of diameter about 200 mm.

1) In this International Standard, the term "hard coal" is used as an indication of maturity or rank in the coalification sequence and is not related to the physical properties of the coal.

5.5.2 Protective sieve, with round or square apertures in the range 6 mm to 19 mm, capable of nesting in the test sieves. A plate sieve with round holes is recommended; if a standard wire cloth sieve is used, it may become distorted through use as a protective sieve and should, therefore, be marked as unsuitable for test sieving.

5.6 Mechanical sieving machine, capable of accepting an assembly of vertically nested sieves and a cover and receiver of diameter about 200 mm. The machine shall be able to simulate the motions of hand sieving. This may be achieved by imparting a horizontal oscillatory motion of amplitude 25 mm to 30 mm at a frequency of approximately 300 min^{-1} , whilst striking the top of the oscillating assembly with a mass of 1,9 kg, moving through a vertical distance of about 25 mm under the influence of gravity, at a frequency of approximately 150 blows per minute.

Alternatively, the nest of sieves, cover and receiver may be vibrated by an electromagnetic device, provided the sieving performance is equivalent to the mechanically vibrated machine described.

5.7 Hardgrove grindability machine, as shown in figure 1 and with the essential tolerances shown in figure 2. It includes a stationary grinding bowl, of hardened iron or steel, with a horizontal track in which run eight steel balls, each of diameter 25,4 mm. The balls shall be driven by an upper grinding ring rotated at $20 \text{ r/min} \pm 1 \text{ r/min}$. The upper grinding ring, which shall be of similar material to the bowl, shall be connected to a spindle and shall be driven by an electric motor through reduction gears. A load shall be added to the spindle so that the total vertical force on the balls due to the top ring, gear, load and spindle is $284 \text{ N} \pm 2 \text{ N}$, i.e. closely equivalent to a total mass of $29 \text{ kg} \pm 0,2 \text{ kg}$. The machine shall be fitted with a revolution counter and an automatic device for stopping the machine after $60 \pm 0,25$ revolutions. It shall be calibrated by the method described in clause 8, before use for the determination of Hardgrove indices.

NOTE 1 The grinding bowl, balls and top grinding ring should be protected from rusting when not in use.

5.8 Soft brush.

6 Sampling

The gross sample shall be collected and prepared in accordance with the requirements of ISO 1988, except that the initial crushing shall be up to 4,75 mm instead of up to 10 mm. The gross sample shall be reduced to a final sample of about 1 kg by using a sample divider (5.3) of suitable size and capacity.

NOTE 2 Initial crushing should be performed by a mill that does not produce too much fine material which could lead to bias.

7 Preparation of test sample

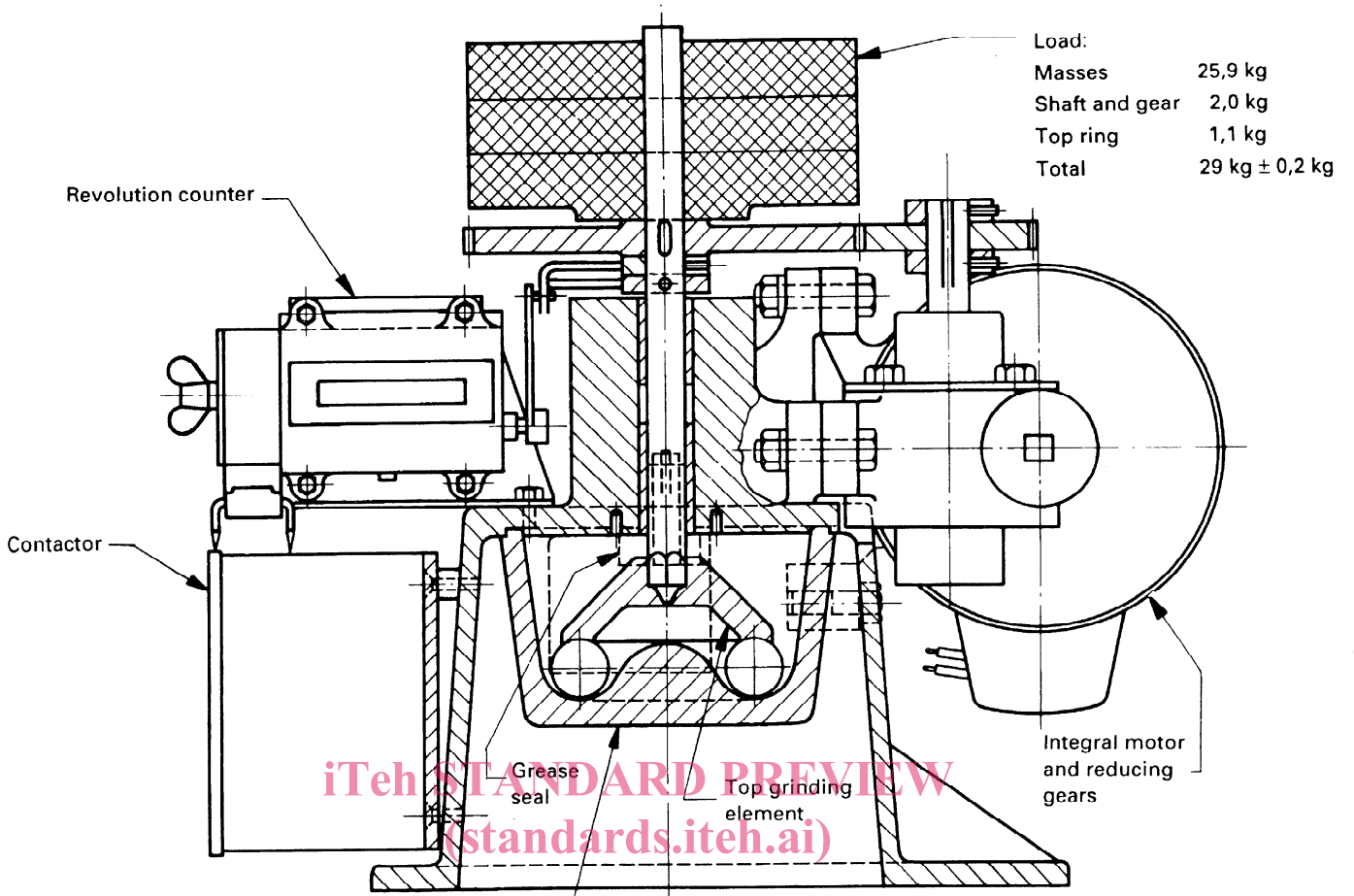
7.1 Air-dry the final sample (see ISO 1988) and determine the mass of the dried sample to the nearest gram.

Since the Hardgrove grindability index, especially for coals with a high content of inherent moisture, varies depending on the moisture content of the coal, air-drying should take place at a relative humidity of 30 % to 70 %. If this has not been done, a determination of the moisture content of the air-dried sample shall be made, and the result shall be reported.

Sieve the dried sample on a nest of sieves consisting of a 1,18 mm aperture sieve on top of a $600 \mu\text{m}$ aperture sieve, by sieving batches of about 200 g for 2 min in the sieving machine, followed by gentle brushing of the oversize material with a soft brush (5.8), to assist the passage through the sieve. Crush the material retained on the 1,18 mm sieve with the crusher (5.4) adjusted so that only the largest particles are crushed; sieve the crushed material for 3 min and return the oversize material to the crusher again, re-adjust to crush only the largest particles. Continue crushing and sieving until all the material passes through the 1,18 mm sieve.

7.2 Discard that part of the portion passing through the $600 \mu\text{m}$ sieve and weigh, to the nearest gram, the coal passing through the 1,18 mm sieve and retained on the $600 \mu\text{m}$ sieve. If the yield in this size range is less than 50 % of the dried sample, the coal thus prepared shall be discarded and another final sample of about 1 kg shall be taken from the gross sample and the sample preparation repeated.

NOTE 3 If, after careful crushing of softer coals (those with a Hardgrove grindability index greater than 80), less than 50 % is retained on the $600 \mu\text{m}$ sieve, proceed with the test and qualify the result.



ISO 5074:1994
<https://standards.itech.ai/catalog/standards/sist/77c7e0ea-0a00-467d-95cc-ea06719eb82c/iso-5074-1994>

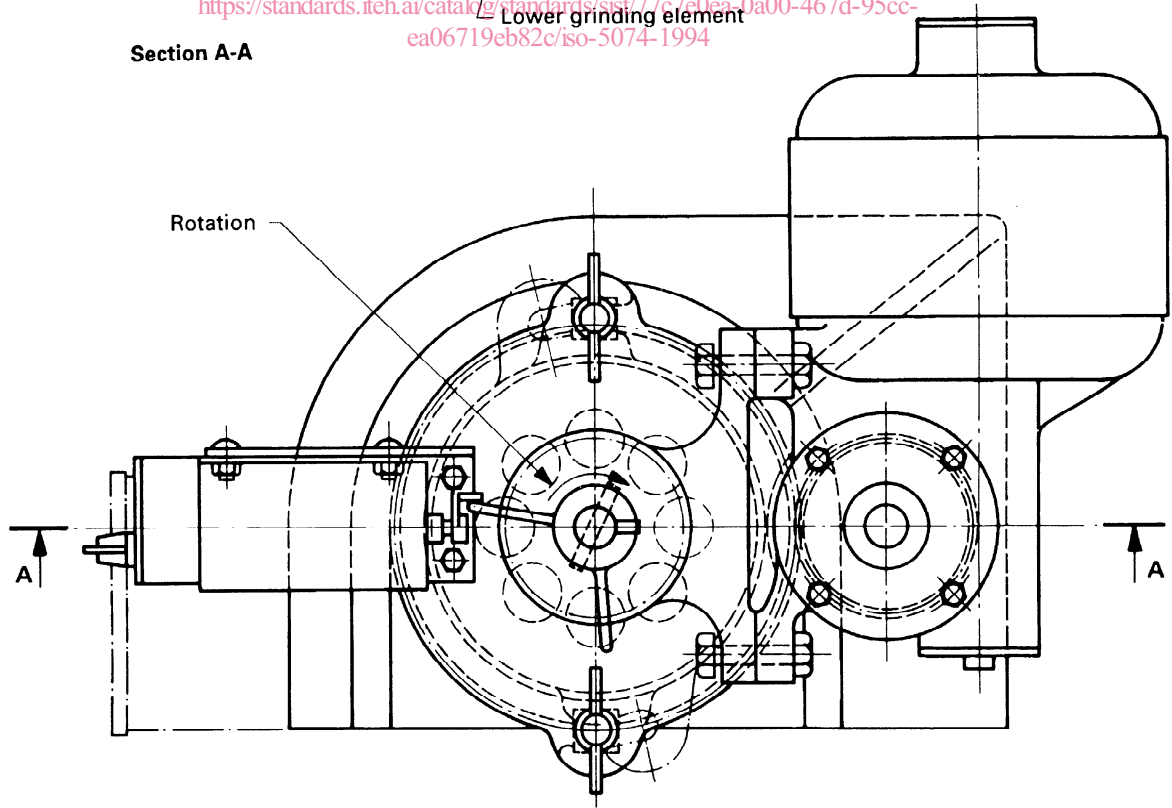


Figure 1 — Hardgrove grindability machine

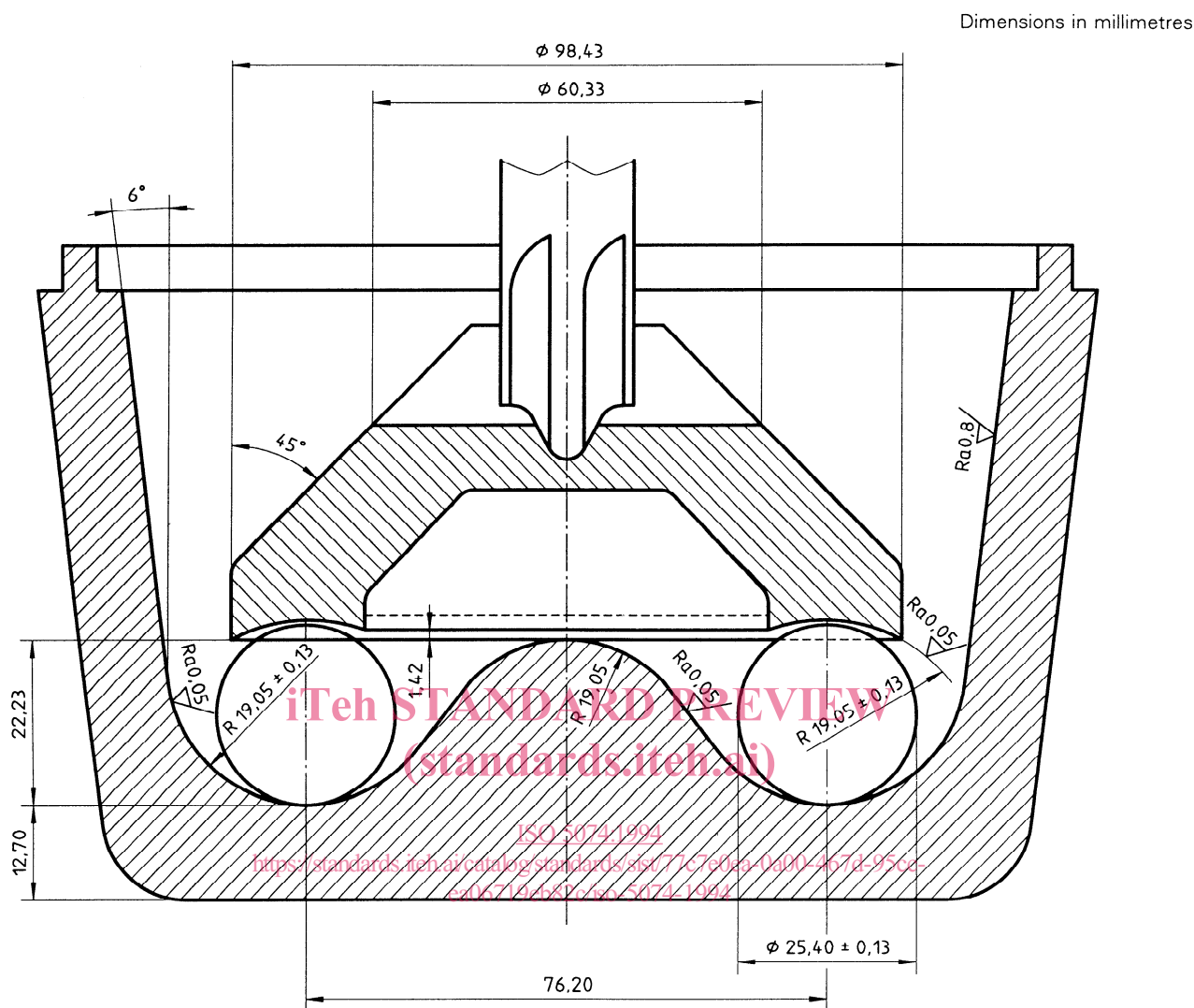


Figure 2 — Sectional view of the grinding elements with an indication of the essential tolerances

7.3 Thoroughly mix the size fraction passing through the 1,18 mm sieve and retained on the 600 μm sieve, take about 120 g using a sample divider and dedust by sieving for 5 min on a 600 μm sieve using the sieving machine. Reduce the dedusted material, using a sample divider (5.3) to not less than 50 g.

8 Procedure

8.1 Clean the grindability machine (5.7) thoroughly and space the balls as evenly as possible around the grinding bowl.

8.2 Weigh a test portion of $50 \text{ g} \pm 0,01 \text{ g}$ of the dedusted material, distribute it evenly in the grinding bowl and smooth the surface. Assemble the top

grinding ring to the bowl and fasten the bowl in position to the driving spindle, making sure that the load is evenly applied. Preset the counter and adjust the automatic stopping device so that the machine will operate for $60 \pm 0,25$ revolutions. Start the apparatus.

8.3 When the rotation has stopped, switch off the machine and dismantle the bowl assembly. Brush any adherent coal dust onto the protective sieve (see 5.5.2) nested on the 75 μm sieve and receiver. Empty the grinding balls and ground coal onto the protective sieve. Brush any coal from the bowl and the balls into the protective sieve and set them aside. Brush any coal and dust from the inside and underside of the protective sieve into the 75 μm sieve and set it aside.

8.4 Replace the cover on the 75 µm sieve and shake the assembled receiver, 75 µm sieve and cover for 10 min in the sieving machine. Invert the sieve over a collector and carefully brush along the warp and weft of the cloth so that all the coal on the sieve enters the collector. Return the cleaned sieve to the nest, add the coal from the collector and sieve for a further 5 min. Repeat this operation. Finally clean the sieve by brushing so that the coal retained on the sieve and in the apertures enters the collector, while all the coal that has passed through the apertures enters the undersize receiver.

8.5 Weigh separately, to the nearest 0,01 g, the coal brushed off the 75 µm sieve and the coal passing through the 75 µm sieve. If the sum of these masses differs by more than 0,5 g from the initial mass of the test portion, the result shall be rejected and the test repeated.

9 Expression of results

9.1 Calculate the mass m , in grams, of the test portion passing through the 75 µm sieve, using the formula

$$m = 50 - m_1$$

where m_1 is the mass, in grams, of test portion retained on the 75 µm sieve.

Record the grindability index from the calibration chart (see annex A).

9.2 Carry out duplicate determinations on test portions taken from the 1,18 mm to 600 µm fraction. Report the mean of the two determinations, rounded to the nearest whole number, as the Hardgrove grindability index (HGI).

10 Precision

10.1 Repeatability limit

The results of duplicate determinations carried out at different times in the same laboratory by the same operator with the same apparatus, on test portions taken from the same sample passing through a 1,18 mm sieve and retained by a 600 µm sieve (see clause 7) should not differ by more than 2 units.

10.2 Reproducibility limit

The means of the results of duplicate determinations carried out in each of two different laboratories on test portions taken from the same gross sample of 4,75 mm coal should not differ by more than 5 units.

11 Test report

The test report shall include the following information:

- a) complete identification of the sample tested;
- b) the number of this International Standard;
- c) the results obtained;
- d) any operating conditions not specified in this International Standard, together with any other circumstances which may have influenced the results.