



SLOVENSKI STANDARD
SIST EN ISO 9873:2000/AC:2002
01-november-2002

Dental hand instrument - Reusable mirrors and handles (ISO 9873:1998/Cor.1:2000)

Dental hand instrument - Reusable mirrors and handles (ISO 9873:1998/Cor.1:2000)

Zahnärztliche Handinstrumente -Wiederverwendbare Spiegel und Handgriffe (ISO 9873:1998/Cor.1:2000)

iTeh STANDARD PREVIEW

Instruments dentaires a main - (Miroirs et manches de miroirs réutilisables (ISO9873:1998/Cor.1:2000)

[SIST EN ISO 9873:2000/AC:2002](https://standards.iteh.ai/catalog/standards/sist/7795604c-44eb-42cb-9a85-01ab961c4c60/sist-en-iso-9873-2000-ac-2002)

Ta slovenski standard je istoveten z: EN ISO 9873:2000/AC:2000

ICS:

11.060.25 Z[à[c @ ã } ã • d ~ { ^ } ã Dental instruments

SIST EN ISO 9873:2000/AC:2002 en

iTeh STANDARD PREVIEW
(standards.iteh.ai)

[SIST EN ISO 9873:2000/AC:2002](https://standards.iteh.ai/catalog/standards/sist/7795604c-44eb-42cb-9a85-0fab961c4c86/sist-en-iso-9873-2000-ac-2002)

<https://standards.iteh.ai/catalog/standards/sist/7795604c-44eb-42cb-9a85-0fab961c4c86/sist-en-iso-9873-2000-ac-2002>

EUROPEAN STANDARD

EN ISO 9873:2000/AC

NORME EUROPÉENNE

September 2000

EUROPÄISCHE NORM

Septembre 2000

September 2000

English version
Version Française
Deutsche Fassung

Dental hand instrument - Reusable mirrors and handles (ISO
9873:1998/Cor.1:2000)

Instruments dentaires à main - Miroirs et
manches de miroirs réutilisables (ISO
9873:1998/Cor.1:2000)

Zahnärztliche Handinstrumente -
Wiederverwendbare Spiegel und
Handgriffe (ISO 9873:1998/Cor.1:2000)

This corrigendum becomes effective on 28 September 2000 for incorporation in the three official German version of the EN.

Ce corrigendum prendra effet le 28 septembre 2000 pour incorporation dans la version allemande officielle de l'EN.

Die Berichtigung tritt am 28. September 2000 zur Einarbeitung in die offizielle Deutsche Fassungen der EN in Kraft.

<https://standards.iteh.ai/catalog/standards/sist/7795604c-44eb-42cb-9a85-0fab961c4c86/sist-en-iso-9873-2000-ac-2002>



EUROPEAN COMMITTEE FOR STANDARDIZATION
COMITÉ EUROPÉEN DE NORMALISATION
EUROPÄISCHES KOMITEE FÜR NORMUNG

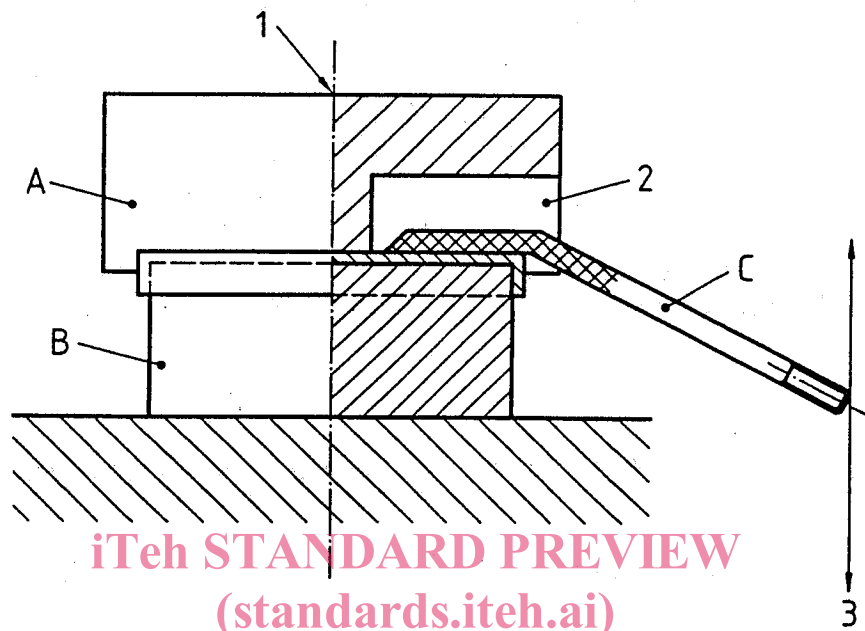
Management Centre: rue de Stassart, 36 B-1050 Brussels

© 2000 CEN All rights of exploitation in any form and by any means reserved worldwide for CEN national Members.
Tous droits d'exploitation sous quelque forme et de quelque manière que ce soit réservés dans le monde entier aux membres nationaux du CEN.
Alle Rechte der Verwertung, gleich in welcher Form und in welchem Verfahren, sind weltweit den nationalen Mitgliedern von CEN vorbehalten.

Ref. No. EN ISO 9873:2000/AC:2000 D/E/F

Seite 8, Bild 4

Bild 4 wird durch das folgende neue Bild ersetzt.



SIST EN ISO 9873:2000/AC:2002
<https://standards.iteh.ai/catalog/standards/sist/7795604c-44eb-42cb-9a85-0fab961c4c86/sist-en-iso-9873-2000-ac-2002>

Legende

- 1 Schraubzwinge
- 2 Rille
- 3 Kraftanwendung (Richtung siehe Beschreibung in 5.8.2)

Bild 4 – Klemmvorrichtung für das Spiegelgehäuse



INTERNATIONAL STANDARD ISO 9873:1998
TECHNICAL CORRIGENDUM 1

Published 2000-06-15

INTERNATIONAL ORGANIZATION FOR STANDARDIZATION • МЕЖДУНАРОДНАЯ ОРГАНИЗАЦИЯ ПО СТАНДАРТИЗАЦИИ • ORGANISATION INTERNATIONALE DE NORMALISATION

Dental hand instruments — Reusable mirrors and handles

TECHNICAL CORRIGENDUM 1

Instruments dentaires à main — Miroirs et manches de miroirs réutilisables

RECTIFICATIF TECHNIQUE 1

iTeh STANDARD PREVIEW

Technical Corrigendum 1 to International Standard ISO 9873:1998 was prepared by Technical Committee ISO/TC 106, *Dentistry*, Subcommittee SC 4, *Dental Instruments*.

[SIST EN ISO 9873:2000/AC:2002](https://standards.iteh.ai/catalog/standards/sist/7795604c-44eb-42cb-9a85-0fab961c4c86/sist-en-iso-9873-2000-ac-2002)

<https://standards.iteh.ai/catalog/standards/sist/7795604c-44eb-42cb-9a85-0fab961c4c86/sist-en-iso-9873-2000-ac-2002>

Page 7, subclause 5.8.1

Add the phrase "...with the casing." at the end of the second sentence.

Add the phrase "...with the side of the slot..." to the third sentence so that it reads:

"The depth of the slot shall be sufficient to ensure that the mirror stem does not come into contact with the side of the slot during the test."

Page 8, subclause 5.8.2

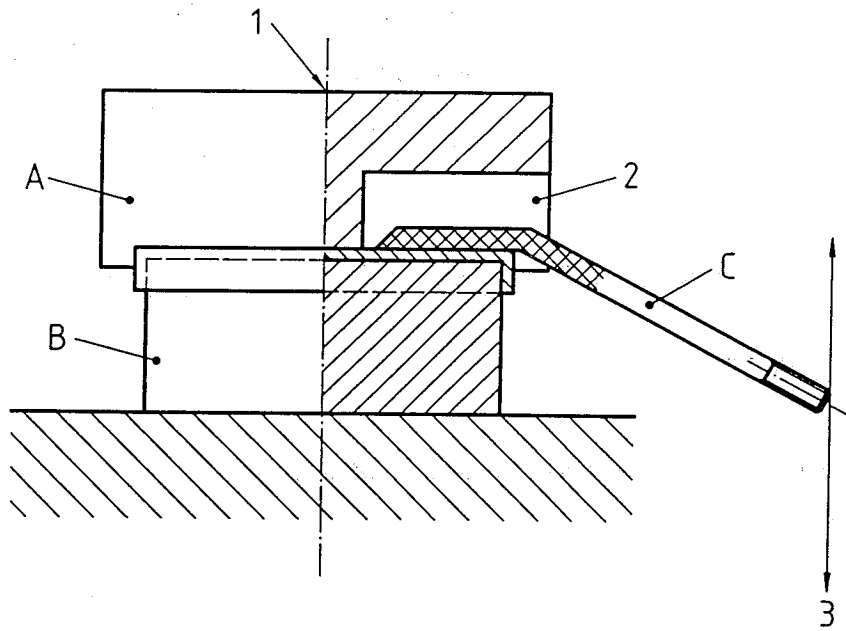
Delete the entire paragraph and replace it with the following text:

"Screw the casing and stem assembly C into the handle and clamp firmly in position using components A and B. Apply a moment of force of 1,25 N·m at the weld, in both directions, at 90° to the bottom of the mirror casing (see figure 4)."

ISO 9873:1998/Cor.1:2000(E)

Page 8, figure 4

Replace figure 4 with the new figure 4 shown below.

**Key**

- 1 Clamp
- 2 Slot
- 3 Application of force

iTeh STANDARD PREVIEW
(standards.iteh.ai)

Figure 4 — Clamping device for mirror casing
SIST EN ISO 9873:2000/AC:2002
<https://standards.iteh.ai/catalog/standards/sist/7795604c-44eb-42cb-9a85-0fab961c4c86/sist-en-iso-9873-2000-ac-2002>