

INTERNATIONAL
STANDARD

ISO
12508

First edition
1994-11-01

**Earth-moving machinery — Operator
station and maintenance areas —
Bluntness of edges**

iTeh STANDARD PREVIEW

(standards.iteh.ai)
*Engins de terrassement — Poste de l'opérateur et zones de
maintenances — Acuité des arêtes*

ISO 12508:1994

<https://standards.iteh.ai/catalog/standards/sist/83d73e30-f8f4-4ebe-bfbc-ea48671cde4e/iso-12508-1994>



Reference number
ISO 12508:1994(E)

Foreword

ISO (the International Organization for Standardization) is a worldwide federation of national standards bodies (ISO member bodies). The work of preparing International Standards is normally carried out through ISO technical committees. Each member body interested in a subject for which a technical committee has been established has the right to be represented on that committee. International organizations, governmental and non-governmental, in liaison with ISO, also take part in the work. ISO collaborates closely with the International Electrotechnical Commission (IEC) on all matters of electrotechnical standardization.

Draft International Standards adopted by the technical committees are circulated to the member bodies for voting. Publication as an International Standard requires approval by at least 75 % of the member bodies casting a vote.

International Standard ISO 12508 was prepared by Technical Committee ISO/TC 127, *Earth-moving machinery*, Subcommittee SC 2, *Safety requirements and human factors*.

<https://standards.iteh.ai/catalog/standards/sist/83d73e30-f8f4-4ebe-bfbc-ea48671cde4e/iso-12508-1994>

© ISO 1994

All rights reserved. Unless otherwise specified, no part of this publication may be reproduced or utilized in any form or by any means, electronic or mechanical, including photocopying and microfilm, without permission in writing from the publisher.

International Organization for Standardization
Case Postale 56 • CH-1211 Genève 20 • Switzerland

Printed in Switzerland

Earth-moving machinery — Operator station and maintenance areas — Bluntness of edges

1 Scope

This International Standard defines the permissible limits of the sharpness of edges and corners, to reduce the risk of injury to the operator or maintenance personnel while operating earth-moving machinery and performing maintenance. It applies to operator and maintenance access/egress systems as defined in ISO 2860 and ISO 2867, and the operator station on earth-moving machinery as described in ISO 6165.

2 Normative references

The following standards contain provisions which, through reference in this text, constitute provisions of this International Standard. At the time of publication, the editions indicated were valid. All standards are subject to revision, and parties to agreements based on this International Standard are encouraged to investigate the possibility of applying the most recent editions of the standards indicated below. Members of IEC and ISO maintain registers of currently valid International Standards.

ISO 2860:1992, *Earth-moving machinery — Minimum access dimensions*.

ISO 2867:1994, *Earth-moving machinery — Access systems*.

ISO 6165:1987, *Earth-moving machinery — Basic types — Vocabulary*.

3 Requirements

Structural edges and corners (see figure 1) of metallic and non-metallic materials of sufficient hardness to

cause contusions or penetration of the human skin shall comply with the requirements in 3.1 to 3.3.

3.1 Edges of parts shall be rounded or chamfered to a minimum dimension of 0,3 mm as shown in figure 2, or fitted with a protective strip. For edge thicknesses of 1 mm or less, a protective strip shall be fitted.

3.2 External corners such as on cab or service doors and pointed objects shall have a minimum radius of 4 mm.

3.3 Grab-handles and edges/corners of hand-holds shall have a minimum radius of 5 mm.

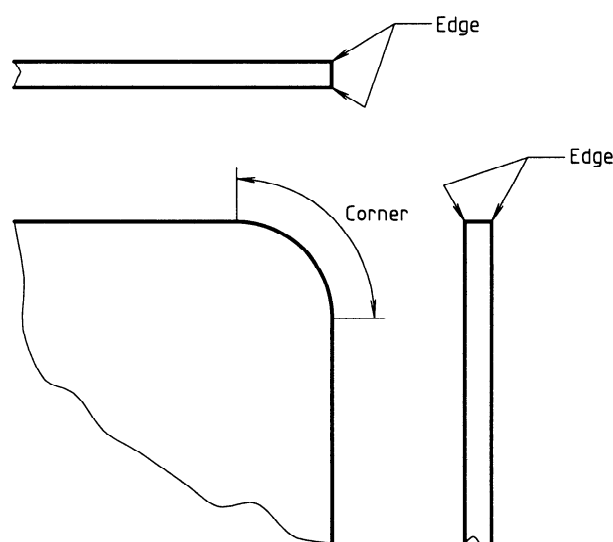


Figure 1 — Edges and corner

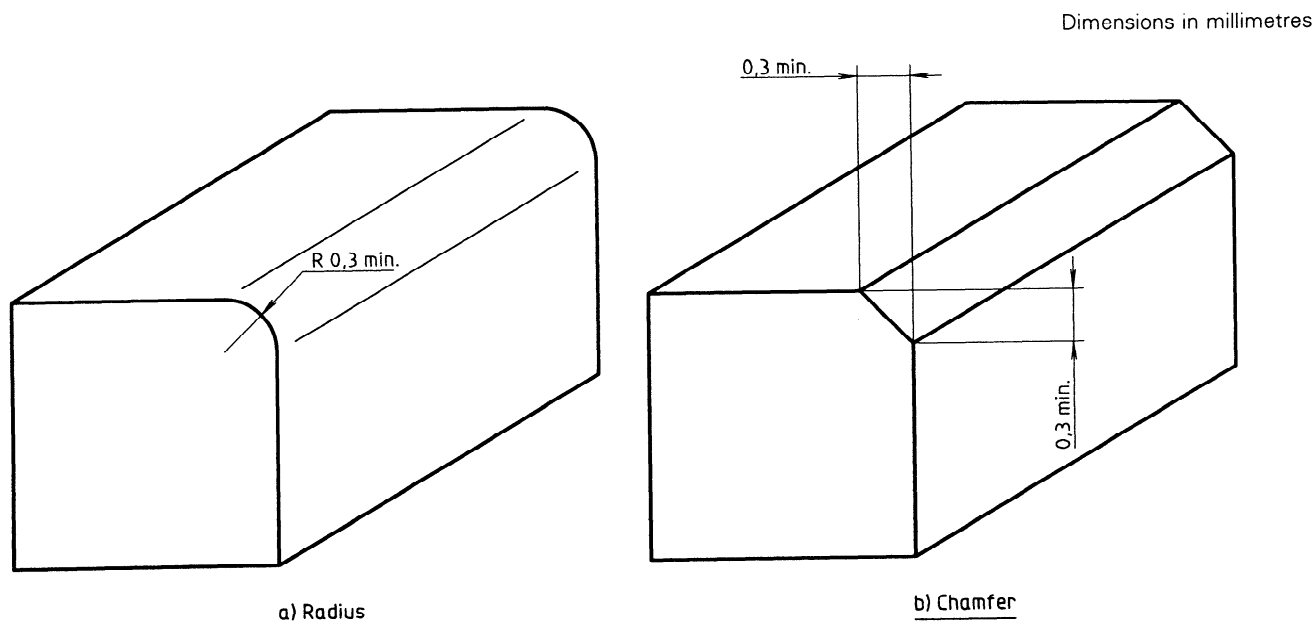


Figure 2 — Edge radius and chamfer

iTeh STANDARD PREVIEW
(standards.iteh.ai)

ISO 12508:1994

<https://standards.iteh.ai/catalog/standards/sist/83d73e30-f8f4-4ebe-bfbc-ea48671cde4e/iso-12508-1994>

iTeh STANDARD PREVIEW

This page intentionally left blank
(standards.iteh.ai)

ISO 12508:1994

<https://standards.iteh.ai/catalog/standards/sist/83d73e30-f8f4-4ebe-bfbc-ea48671cde4e/iso-12508-1994>

iTeh STANDARD PREVIEW

This page intentionally left blank
(standards.iteh.ai)

ISO 12508:1994

<https://standards.iteh.ai/catalog/standards/sist/83d73e30-f8f4-4ebe-bfbc-ea48671cde4e/iso-12508-1994>

iTeh STANDARD PREVIEW

This page intentionally left blank
(standards.iteh.ai)

ISO 12508:1994

<https://standards.iteh.ai/catalog/standards/sist/83d73e30-f8f4-4ebe-bfbc-ea48671cde4e/iso-12508-1994>

iTeh STANDARD PREVIEW
(standards.iteh.ai)

ISO 12508:1994

<https://standards.iteh.ai/catalog/standards/sist/83d73e30-f8f4-4ebe-bfbc-ea48671cde4e/iso-12508-1994>

ICS 53.100.00

Descriptors: earth-moving equipment, operating stations, cabs, accident prevention, operator protection, edges, specifications, safety measures.

Price based on 2 pages
