



SLOVENSKI STANDARD

SIST EN 14468-2:2005

01-junij-2005

Namizni tenis – 2. del: Stojala za pritrditev mrežice – Zahteve in preskusne metode

Table tennis - Part 2: Posts for net assemblies - Requirements and test methods

Tischtennis - Teil 2: Pfosten von Netzgarnituren - Anforderungen und Prüfverfahren

Tennis de table - Partie 2: Filets et leurs accessoires - Exigences et méthodes d'essai

Ta slovenski standard je istoveten z: EN 14468-2:2005

SIST EN 14468-2:2005
<https://standards.iteh.ai/catalog/standards/sist/7a234af5-5e00-40da-b597-69af93672904/sist-en-14468-2-2005>

ICS:

97.220.30 Oprema za dvoranske športe Indoor sports equipment

SIST EN 14468-2:2005

en

iTeh STANDARD PREVIEW
(standards.iteh.ai)

[SIST EN 14468-2:2005](https://standards.iteh.ai/catalog/standards/sist/7a234af3-3e00-40da-b597-69af93672904/sist-en-14468-2-2005)

<https://standards.iteh.ai/catalog/standards/sist/7a234af3-3e00-40da-b597-69af93672904/sist-en-14468-2-2005>

EUROPEAN STANDARD
NORME EUROPÉENNE
EUROPÄISCHE NORM

EN 14468-2

March 2005

ICS 97.220.30

English version

Table tennis - Part 2: Posts for net assemblies - Requirements and test methods

Tennis de table - Partie 2: Filets et leurs accessoires -
Exigences et méthodes d'essai

Tischtennis - Teil 2: Pfosten von Netzgarnituren -
Anforderungen und Prüfverfahren

This European Standard was approved by CEN on 3 February 2005.

CEN members are bound to comply with the CEN/CENELEC Internal Regulations which stipulate the conditions for giving this European Standard the status of a national standard without any alteration. Up-to-date lists and bibliographical references concerning such national standards may be obtained on application to the Central Secretariat or to any CEN member.

This European Standard exists in three official versions (English, French, German). A version in any other language made by translation under the responsibility of a CEN member into its own language and notified to the Central Secretariat has the same status as the official versions.

CEN members are the national standards bodies of Austria, Belgium, Cyprus, Czech Republic, Denmark, Estonia, Finland, France, Germany, Greece, Hungary, Iceland, Ireland, Italy, Latvia, Lithuania, Luxembourg, Malta, Netherlands, Norway, Poland, Portugal, Slovakia, Slovenia, Spain, Sweden, Switzerland and United Kingdom.

SIST EN 14468-2:2005

<https://standards.iteh.ai/catalog/standards/sist/7a234a3-3e00-40da-b597-69a93672904/sist-en-14468-2-2005>



EUROPEAN COMMITTEE FOR STANDARDIZATION
COMITÉ EUROPÉEN DE NORMALISATION
EUROPÄISCHES KOMITEE FÜR NORMUNG

Management Centre: rue de Stassart, 36 B-1050 Brussels

Contents

	Page
Foreword.....	3
1 Scope	4
2 Normative references	4
3 Terms and definitions	4
4 Classification	5
5 Functional requirements	5
6 Safety requirements	9
7 Test methods	9

iTeh STANDARD PREVIEW (standards.iteh.ai)

[SIST EN 14468-2:2005](https://standards.iteh.ai/catalog/standards/sist/7a234af3-3e00-40da-b597-69af93672904/sist-en-14468-2-2005)

<https://standards.iteh.ai/catalog/standards/sist/7a234af3-3e00-40da-b597-69af93672904/sist-en-14468-2-2005>

Foreword

This document (EN 14468-2:2005) has been prepared by Technical Committee CEN/TC 136 “Sports, playground and other recreational equipment”, the secretariat of which is held by DIN.

This European Standard shall be given the status of a national standard, either by publication of an identical text or by endorsement, at the latest by September 2005, and conflicting national standards shall be withdrawn at the latest by September 2005.

This standard *Table tennis* consists of

- *Part 1: Table tennis tables, functional and safety requirements, test methods.*
- *Part 2: Posts for net assemblies — Requirements and test methods.*

According to the CEN/CENELEC Internal Regulations, the national standards organizations of the following countries are bound to implement this European Standard: Austria, Belgium, Cyprus, Czech Republic, Denmark, Estonia, Finland, France, Germany, Greece, Hungary, Iceland, Ireland, Italy, Latvia, Lithuania, Luxembourg, Malta, Netherlands, Norway, Poland, Portugal, Slovakia, Slovenia, Spain, Sweden, Switzerland and United Kingdom.

iTeh STANDARD PREVIEW (standards.iteh.ai)

SIST EN 14468-2:2005

<https://standards.iteh.ai/catalog/standards/sist/7a234aB-3e00-40da-b597-69a93672904/sist-en-14468-2-2005>

EN 14468-2:2005 (E)**1 Scope**

This document specifies requirements for net assemblies permanently or temporarily attached to a table tennis table in accordance with EN 14468-1.

2 Normative references

The following referenced documents are indispensable for the application of this document. For dated references, only the edition cited applies. For undated references, the latest edition of the referenced document (including any amendments) applies.

EN 14468-1:2004, *Table tennis — Part 1: Table tennis tables, functional and safety requirements, test methods*

3 Terms and definitions

For the purposes of this document, the terms and definitions given in EN 14468-1:2004 and the following apply.

3.1**net assembly**

device consisting of net, its suspension and supporting posts, including the system attaching them to the table (called attaching system in this document)

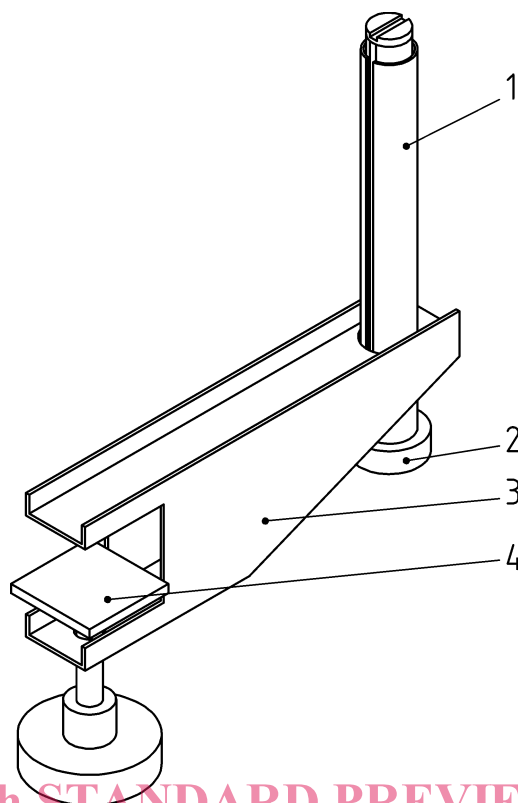
3.2**net supporting post (called net post in this document)**

device consisting of a vertical part called upright post, a horizontal part and an attaching system

NOTE An example of a net post is shown in Figure 1.

[SIST EN 14468-2:2005](https://standards.iteh.ai/catalog/standards/sist/7a234af3-3e00-40da-b597-69a93672904/sist-en-14468-2-2005)

<https://standards.iteh.ai/catalog/standards/sist/7a234af3-3e00-40da-b597-69a93672904/sist-en-14468-2-2005>



iTeh STANDARD PREVIEW
(standards.iteh.ai)

Key

- 1 Upright post
- 2 Height adjustment
- 3 Horizontal part
- 4 Attaching system (clamp)

SIST EN 14468-2:2005

<http://standards.iteh.ai/catalog/standards/sist/7a234aB-3e00-40da-b597-69a93672904/sist-en-14468-2-2005>

Figure 1 — Example of a net post

4 Classification

Net assemblies are classified by the intended end-use (classes) as shown in Table 1.

Table 1 — Classes

Class	Intended end-use
A	High competition
B	School and club sports
C, D	Recreational sports

5 Functional requirements

5.1 Dimensions

Net posts shall comply with the dimensions shown in Figures 2 to 4 and Table 2.

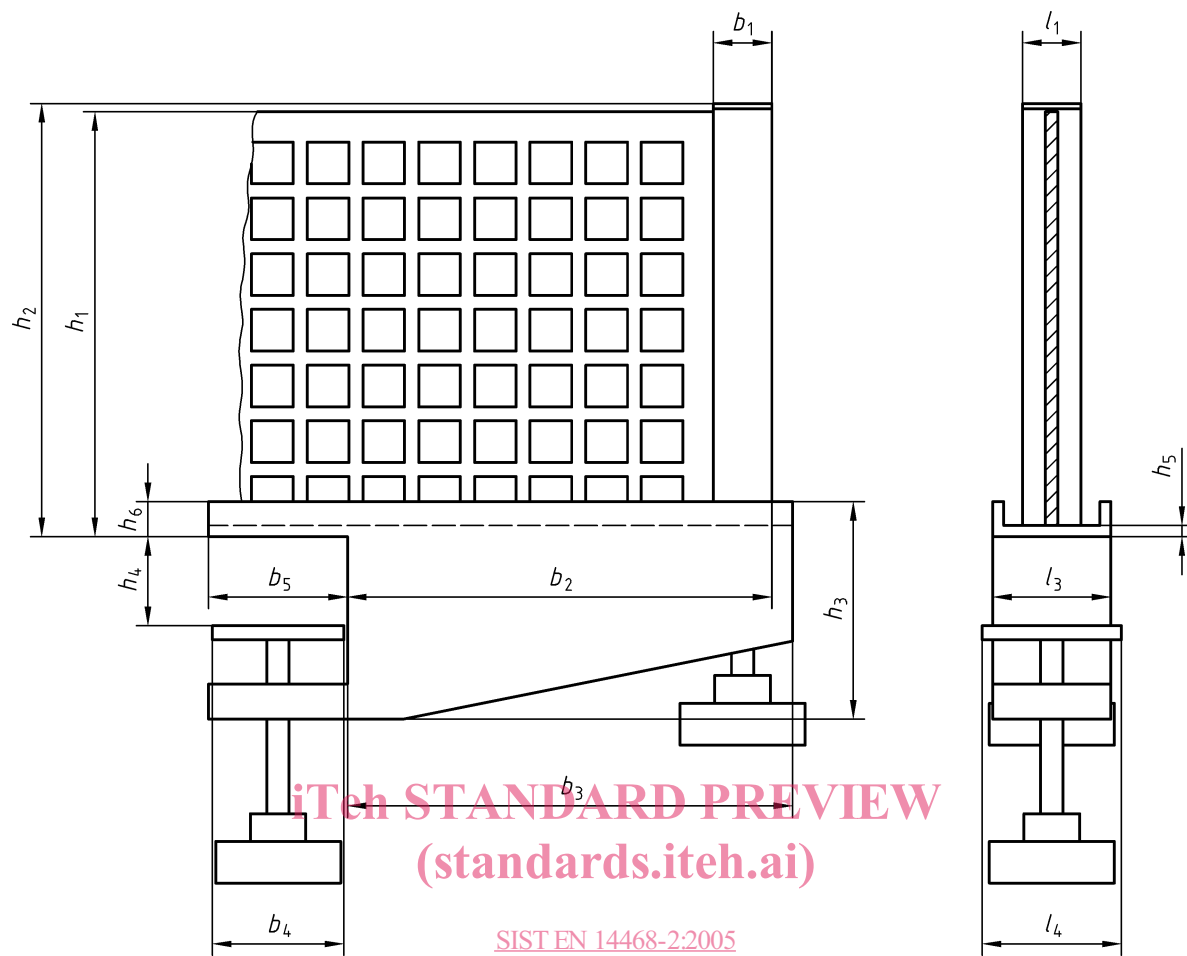


Figure 2 — Dimensions of net supporting and attaching systems

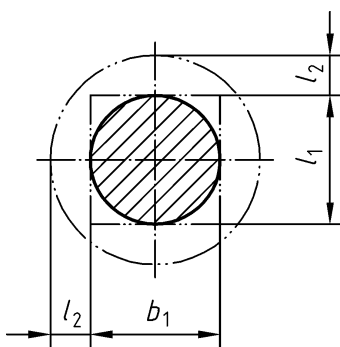


Figure 3 — Cross-section of upright post and limits for the protection of adjusting device

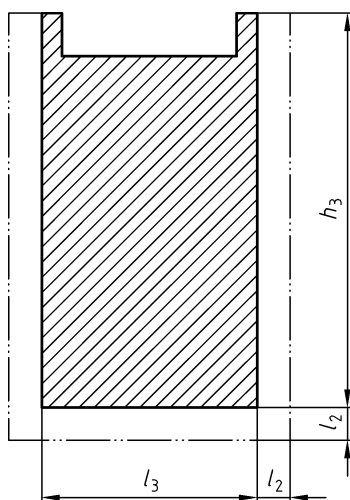


Figure 4 — Cross-section of horizontal part of the netpost and limits for the protection of adjusting devices

Table 2 — Dimensions of net supporting and attaching systems of classes A to D

Dimensions in millimetres

Class	Net post					Devices attaching the net assembly to the table			
	Final net height ^a to be adjusted at	Height ^a of the vertical post	Square circumscribing the cross-section of the post	Outside distance of the post from the tabletop side	Projection of any adjusting device	Parts under the table	Parts along the tabletop side wider than the horizontal part		Other parts included in the under-carriage or in the horizontal part of the net support
	h_1	h_2	l_1/b_1	b_2	l_2	depth/width	distance of the device (inside outside) to the tabletop side (when the possibility for cutting or squeeze section exists)	length for each tabletop	
						b_4 l_4	inside/outside		
A	152,5	≤ 155,5	≤ 22	152,5 ± 2	≤ 7	≤ 100 / ≤ 50	≥ 15 / ≤ 30	≤ 100	≥ 12
B	152,5	≤ 157,5	≤ 25	152,5 ± 4	≤ 7	≤ 100 / ≤ 50	≥ 15 / ≤ 30	≤ 300	≥ 12
C, D	152,5 ± 5	≤ 162,5	—	—	—	— / —	≥ 15 / —	≤ 300	—
Horizontal part of the net support									
Class	Width	Length of the portion projection outside the tabletop	Full height of the portion projecting outside the tabletop	Full height of the opening of the clamp	Thickness ^a under the mesh	Thickness ^a along the mesh	Extension of the portion projecting over the table top surface		
	l_3	b_3	h_3	h_4	h_5	h_6	b_5		
A	≤ 45	≤ 160	≤ 80	≥ 30	≤ 5	≤ 15	≤ 100		
B	≤ 60	≤ 160	≤ 80	≥ 30	≤ 10	≤ 20	≤ 100		
C, D	—	—	—	—	—	—	—		

^a Height and thickness to be considered as "above the elevation of the tabletop surface".