



SLOVENSKI STANDARD

SIST ISO 12151-1:2000

01-september-2000

Fluidna tehnika - Hidravlika - Spoji za hidravliko in za splošno uporabo - Cevne armature - 1. del: Cevne armature s tesnilko O po ISO 8434-3

Connections for hydraulic fluid power and general use -- Hose fittings -- Part 1: Hose fittings with ISO 8434-3 O-ring face seal ends

iTeh STANDARD PREVIEW

Raccordements pour transmissions hydrauliques et applications générales -- Flexibles de raccordement -- Partie 1: Flexibles avec embouts à joints faciaux toriques conformes à l'ISO 8434-3

[SIST ISO 12151-1:2000](https://standards.itih.ai/catalog/standards/sist/8921eb4f-9845-41f7-bad0-992d111e6d1a/sist-iso-12151-1-2000)

[https://standards.itih.ai/catalog/standards/sist/8921eb4f-9845-41f7-bad0-](https://standards.itih.ai/catalog/standards/sist/8921eb4f-9845-41f7-bad0-992d111e6d1a/sist-iso-12151-1-2000)

[992d111e6d1a/sist-iso-12151-1-2000](https://standards.itih.ai/catalog/standards/sist/8921eb4f-9845-41f7-bad0-992d111e6d1a/sist-iso-12151-1-2000)

Ta slovenski standard je istoveten z: ISO 12151-1:1999

ICS:

23.100.40 Cevna napeljava in sklopke Piping and couplings

SIST ISO 12151-1:2000

en

iTeh STANDARD PREVIEW
(standards.iteh.ai)

[SIST ISO 12151-1:2000](#)

<https://standards.iteh.ai/catalog/standards/sist/8921eb4f-9845-41f7-bad0-992d111e6d1a/sist-iso-12151-1-2000>

INTERNATIONAL
STANDARD

ISO
12151-1

First edition
1999-06-01

**Connections for hydraulic fluid power and
general use — Hose fittings —**

Part 1:

Hose fittings with ISO 8434-3 O-ring face seal
ends

iTeh STANDARD PREVIEW

*Raccordements pour transmissions hydrauliques et applications
générales — Flexibles de raccordement —*

*Partie 1: Flexibles avec embouts à joints faciaux toriques conformes
à l'ISO 8434-3 12151-1:2000*

<https://standards.itih.ai/catalog/standards/sist/8921eb4f-9845-41f7-bad0-992d111e6d1a/sist-iso-12151-1-2000>



Reference number
ISO 12151-1:1999(E)

ISO 12151-1:1999(E)

Contents

1 Scope	1
2 Normative references	2
3 Terms and definitions	2
4 Performance requirements	2
5 Designation of hose fittings	2
6 Design	3
7 Manufacture.....	3
7.1 Construction.....	3
7.2 Workmanship	4
7.3 Finish	4
7.4 Fitting protection	4
8 Assembly instructions	4
9 Procurement information.....	4
10 Marking	5
11 Identification statement (reference to this part of ISO 12151).....	5
Annex A (informative) Illustrations of applications for short, medium and long ISO 12151-1 hose fittings....	11
Bibliography	12

iTeh STANDARD PREVIEW
(standards.iteh.ai)

[SIST ISO 12151-1:2000](https://standards.iteh.ai/catalog/standards/sist/8921e64f-9845-4117-bad0-992d111e6d1a/sist-iso-12151-1-2000)

<https://standards.iteh.ai/catalog/standards/sist/8921e64f-9845-4117-bad0-992d111e6d1a/sist-iso-12151-1-2000>

© ISO 1999

All rights reserved. Unless otherwise specified, no part of this publication may be reproduced or utilized in any form or by any means, electronic or mechanical, including photocopying and microfilm, without permission in writing from the publisher.

International Organization for Standardization
Case postale 56 • CH-1211 Genève 20 • Switzerland
Internet iso@iso.ch

Printed in Switzerland

Foreword

ISO (the International Organization for Standardization) is a worldwide federation of national standards bodies (ISO member bodies). The work of preparing International Standards is normally carried out through ISO technical committees. Each member body interested in a subject for which a technical committee has been established has the right to be represented on that committee. International organizations, governmental and non-governmental, in liaison with ISO, also take part in the work. ISO collaborates closely with the International Electrotechnical Commission (IEC) on all matters of electrotechnical standardization.

International Standards are drafted in accordance with the rules given in the ISO/IEC Directives, Part 3.

Draft International Standards adopted by the technical committees are circulated to the member bodies for voting. Publication as an International Standard requires approval by at least 75 % of the member bodies casting a vote.

International Standard ISO 12151-1 was prepared by Technical Committee ISO/TC 131, *Fluid power systems*, Subcommittee SC 4, *Connectors and similar products and components*.

ISO 12151 consists of the following parts, under the general title *Connections for hydraulic fluid power and general use — Hose fittings*:

- Part 1: *Hose fittings with ISO 8434-3 O-ring face seal ends*
- Part 2: *Hose fittings with ISO 8434-1 and 8434-4 24° cone connector ends with O-rings*
- Part 3: *Hose fittings with ISO 6162 flange ends*
- Part 4: *Hose fittings with ISO 6149 stud ends*
- Part 5: *Hose fittings with ISO 8434-2 37° flared ends*

Annex A of this part of ISO 12151 is for information only.

Introduction

In hydraulic fluid power systems, power is transmitted and controlled through a liquid under pressure within an enclosed circuit. In general applications, the fluid may be conveyed under pressure.

Components are connected through their ports by stud ends on fluid conductor fittings to tubes/pipes or to hose fittings and hoses.

iTeh STANDARD PREVIEW (standards.iteh.ai)

[SIST ISO 12151-1:2000](https://standards.iteh.ai/catalog/standards/sist/8921eb4f-9845-41f7-bad0-992d111e6d1a/sist-iso-12151-1-2000)

<https://standards.iteh.ai/catalog/standards/sist/8921eb4f-9845-41f7-bad0-992d111e6d1a/sist-iso-12151-1-2000>

Connections for hydraulic fluid power and general use — Hose fittings —

Part 1:

Hose fittings with ISO 8434-3 O-ring face seal ends

1 Scope

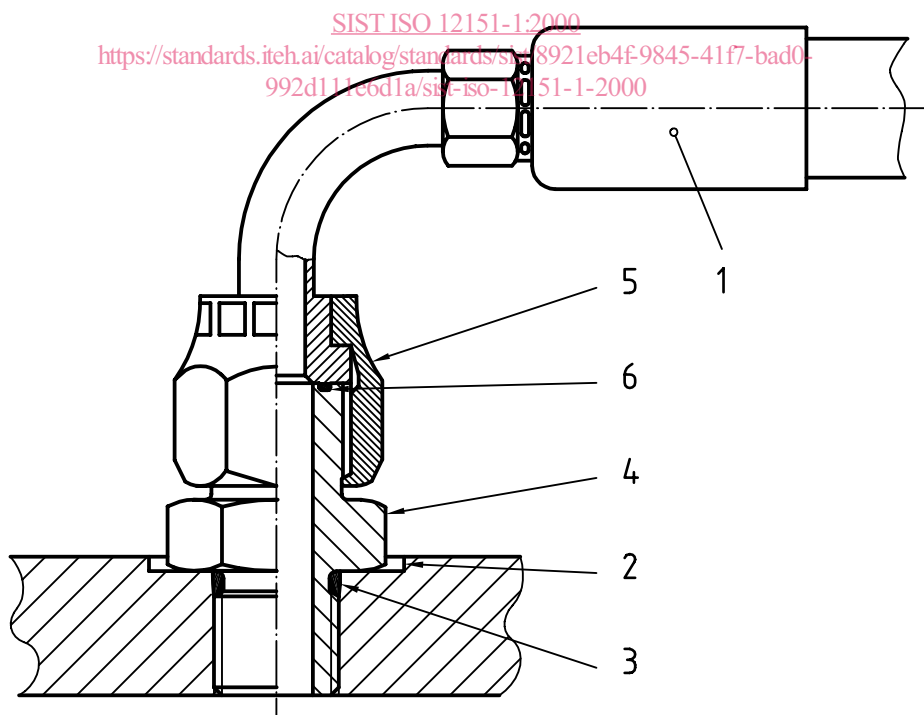
This part of ISO 12151 specifies the general and dimensional requirements for the design and performance of hose fittings with O-ring face seal ends in accordance with ISO 8434-3, made of carbon steel, for nominal hose inside diameters of 6,3 mm to 38 mm inclusive, in accordance with ISO 4397.

NOTE 1 Materials other than carbon steel may be supplied as agreed between the manufacturer and user.

NOTE 2 For hose fittings used in hydraulic braking systems on road vehicles (as defined in the scope of ISO/TC 22), see ISO 4038.

iTeh STANDARD PREVIEW

These hose fittings (see Figure 1 for a typical example) are for use in hydraulic fluid power systems with hose that meets the requirements of the respective hose standards and in general applications with suitable hose.



Key

- | | | | |
|---|------------------------------------|---|---------------------------------------|
| 1 | Hose fitting | 4 | Adapter in accordance with ISO 8434-3 |
| 2 | Port in accordance with ISO 6149-1 | 5 | Nut |
| 3 | O-ring seal | 6 | O-ring seal |

Figure 1 — Typical example of hose fitting connection with O-ring face seal fitting end

2 Normative references

The following normative documents contain certain provisions which, through reference in this text, constitute provisions of this part of ISO 12151. For dated references, subsequent amendments to, or revisions of, any of these publications do not apply. However, parties to agreements based on this part of ISO 12151 are encouraged to investigate the possibility of applying the most recent editions of the normative documents indicated below. For undated references, the latest edition of the normative document referred to applies. Members of ISO and IEC maintain registers of currently valid International Standards.

ISO 725:1978, *ISO inch screw threads — Basic dimensions.*

ISO 4397:1993, *Fluid power systems and components — Connectors and associated components — Nominal outside diameters of tubes and nominal inside diameters of hoses.*

ISO 4759-1:—¹⁾, *Tolerances for fasteners — Part 1: Bolts, screws, studs and nuts — Product grades A, B and C.*

ISO 5598:1985, *Fluid power systems and components — Vocabulary.*

ISO 5864:1993, *ISO inch screw threads — Allowances and tolerances.*

ISO 6149-1:—²⁾, *Connections for fluid power and general use — Ports and stud ends with ISO 261 threads and O-ring sealing — Part 1: Ports with O-ring seal in truncated housing.*

ISO 8434-3:1995, *Metallic tube connections for fluid power and general use — Part 3: O-ring face seal fittings*

ISO 8434-5:1995, *Metallic tube connections for fluid power and general use — Part 5: Test methods for threaded hydraulic fluid power connections.*

ISO 9227:1990, *Corrosion tests in artificial atmospheres — Salt spray tests.*

SIST ISO 12151-1:2000

3 Terms and definitions

For the purposes of this part of ISO 12151, the terms and definitions given in ISO 5598 apply.

4 Performance requirements

Hose assemblies shall meet the performance requirements specified in the appropriate hose specification without leakage or failure.

The working pressure of the hose assembly shall be the lower of the pressures given for its size in ISO 8434-3 and in the relevant hose specification.

Tests on hose fittings shall be conducted in accordance with ISO 8434-5 for the working pressure of the hose assembly. The hose assembly shall undergo a cyclic endurance test and meet or exceed the number of cycles specified in the relevant hose specification.

5 Designation of hose fittings

5.1 Hose fittings shall be designated by an alphanumeric code to facilitate ordering. They shall be designated by ISO 12151-1, followed by a spaced hyphen, then the connection end type, shape and style letter symbols (see 5.4), followed by another spaced hyphen, the O-ring face seal end size (nominal tube outside diameter in accordance

¹⁾ To be published. (Revision of ISO 4759-1:1978)

²⁾ To be published. (Revision of ISO 6149-1:1993)

with ISO 8434-3) and the hose size (nominal hose inside diameter in accordance with ISO 4397), each separated by a multiplication symbol (×).

EXAMPLE A swivel fitting with a 45° elbow, for 12 mm nominal OD tubing and 12,5 mm nominal ID hose is designated as follows:

ISO 12151-1 - SWE45 - 12 × 12,5

5.2 The letter symbol designation of the hose fitting shall consist of the connection end type, immediately followed by the shape of the fitting and the nut style, where applicable.

5.3 Tube ends are assumed to be male and thus do not need to be included in the code. However, if another end is involved, it shall be designated.

5.4 The following letter symbols shall be used:

Connection end type	Symbol
Swivel	SW
Shape	
Straight	S
90° elbow, short	ES
90° elbow, medium	EM
90° elbow, long	EL
45° elbow	E45
Sealing surface	
Sealing surface not exposed	A
Sealing surface exposed	B

6 Design

6.1 Hose fitting dimensions shown in Figures 2 through 5 shall conform to those given in Tables 1 to 4 and to the relevant dimensions in ISO 8434-3.

6.2 Hexagonal tolerances across flats shall be in accordance with ISO 4759-1:—, grade C. Minimum across-corner hexagonal dimensions are 1,092 times the nominal width across flats. The minimum side flat is 0,43 times the nominal width across flats.

6.3 Angular tolerances on axes of ends of elbows shall be $\pm 3^\circ$ for all sizes.

6.4 Details of contour shall be as chosen by the manufacturer, provided that the dimensions given in Tables 1 to 4 are maintained.

6.5 The screw threads on the connection ends of the hose fittings shall be inch screw threads in accordance with ISO 725, except for 1-14 UNS threads, which are given in ISO 8434-3:1995, annex A.

7 Manufacture

7.1 Construction

Fittings may be made by forging or cold-forming, machined from barstock or manufactured from multiple components.