

INTERNATIONAL STANDARD



**Measurement of quartz crystal unit parameters –
Part 8: Test fixture for surface mounted quartz crystal units**

*IEC Standards
(<https://standards.iteh.ai>)
Document Preview*

IEC 60444-8:2016

<https://standards.iteh.ai/catalog/standards/iec/a72118b0-4279-4b57-8df1-db310ed8e4f2/iec-60444-8-2016>





THIS PUBLICATION IS COPYRIGHT PROTECTED
Copyright © 2016 IEC, Geneva, Switzerland

All rights reserved. Unless otherwise specified, no part of this publication may be reproduced or utilized in any form or by any means, electronic or mechanical, including photocopying and microfilm, without permission in writing from either IEC or IEC's member National Committee in the country of the requester. If you have any questions about IEC copyright or have an enquiry about obtaining additional rights to this publication, please contact the address below or your local IEC member National Committee for further information.

IEC Central Office
3, rue de Varembe
CH-1211 Geneva 20
Switzerland

Tel.: +41 22 919 02 11
Fax: +41 22 919 03 00
info@iec.ch
www.iec.ch

About the IEC

The International Electrotechnical Commission (IEC) is the leading global organization that prepares and publishes International Standards for all electrical, electronic and related technologies.

About IEC publications

The technical content of IEC publications is kept under constant review by the IEC. Please make sure that you have the latest edition, a corrigenda or an amendment might have been published.

IEC Catalogue - webstore.iec.ch/catalogue

The stand-alone application for consulting the entire bibliographical information on IEC International Standards, Technical Specifications, Technical Reports and other documents. Available for PC, Mac OS, Android Tablets and iPad.

IEC publications search - www.iec.ch/searchpub

The advanced search enables to find IEC publications by a variety of criteria (reference number, text, technical committee,...). It also gives information on projects, replaced and withdrawn publications.

IEC Just Published - webstore.iec.ch/justpublished

Stay up to date on all new IEC publications. Just Published details all new publications released. Available online and also once a month by email.

Electropedia - www.electropedia.org

The world's leading online dictionary of electronic and electrical terms containing 20 000 terms and definitions in English and French, with equivalent terms in 15 additional languages. Also known as the International Electrotechnical Vocabulary (IEV) online.

IEC Glossary - std.iec.ch/glossary

65 000 electrotechnical terminology entries in English and French extracted from the Terms and Definitions clause of IEC publications issued since 2002. Some entries have been collected from earlier publications of IEC TC 37, 77, 86 and CISPR.

IEC Customer Service Centre - webstore.iec.ch/csc

If you wish to give us your feedback on this publication or need further assistance, please contact the Customer Service Centre: csc@iec.ch.

[IEC 60444-8:2016](https://standards.iteh.ai/catalog/standards/iec/a72118b0-4279-4b57-8df1-db310ed8e4f2/iec-60444-8-2016)

<https://standards.iteh.ai/catalog/standards/iec/a72118b0-4279-4b57-8df1-db310ed8e4f2/iec-60444-8-2016>

INTERNATIONAL STANDARD



**Measurement of quartz crystal unit parameters –
Part 8: Test fixture for surface mounted quartz crystal units**

Document Preview

[IEC 60444-8:2016](https://standards.iteh.ai/catalog/standards/iec/a72118b0-4279-4b57-8df1-db310ed8e4f2/iec-60444-8-2016)

<https://standards.iteh.ai/catalog/standards/iec/a72118b0-4279-4b57-8df1-db310ed8e4f2/iec-60444-8-2016>

INTERNATIONAL
ELECTROTECHNICAL
COMMISSION

ICS 31.140

ISBN 978-2-8322-3718-2

Warning! Make sure that you obtained this publication from an authorized distributor.

CONTENTS

FOREWORD.....	3
INTRODUCTION.....	5
1 Scope.....	6
2 Normative references.....	6
3 Specifications.....	6
4 Leadless surface mounted quartz crystal units.....	6
4.1 Enclosure.....	6
4.2 Overtone and frequency range.....	7
5 Specifications of measurement method, test fixture.....	7
5.1 Specifications of measurement method.....	7
5.2 Specifications of transmission test fixture.....	7
5.3 Specifications of reflection test fixture.....	10
5.4 Measuring equipment.....	13
6 Calibration.....	13
6.1 Calibration of the transmission test system.....	13
6.2 Additional calibration of the transmission test system with C_L adapter board.....	13
6.3 Calibration of the reflection measurement system.....	13
Bibliography.....	15
Figure 1 – Transmission π -network test fixture: Simplified equivalent circuit diagram, frequency range from 1 MHz to 500 MHz.....	7
Figure 2 – Transmission π -network test Fixture with physical load capacitors: simplified equivalent circuit, frequency range from 1 MHz to 30 MHz.....	7
Figure 3 – Transmission π -network test fixture: Three-dimensional projection for the test fixture.....	8
Figure 4 – Transmission π -network test fixture: Mechanical design of the test fixture.....	9
Figure 5 – Transmission π -network test fixture with physical load capacitors: Structure of the test fixture.....	10
Figure 6 – Design of the reflection test fixture.....	11
Figure 7 – Mechanical details of the reflection test fixture.....	13
Figure 8 – Calibration technique for the reflection test fixture.....	14

INTERNATIONAL ELECTROTECHNICAL COMMISSION

MEASUREMENT OF QUARTZ CRYSTAL UNIT PARAMETERS –**Part 8: Test fixture for surface mounted quartz crystal units**

FOREWORD

- 1) The International Electrotechnical Commission (IEC) is a worldwide organization for standardization comprising all national electrotechnical committees (IEC National Committees). The object of IEC is to promote international co-operation on all questions concerning standardization in the electrical and electronic fields. To this end and in addition to other activities, IEC publishes International Standards, Technical Specifications, Technical Reports, Publicly Available Specifications (PAS) and Guides (hereafter referred to as "IEC Publication(s)"). Their preparation is entrusted to technical committees; any IEC National Committee interested in the subject dealt with may participate in this preparatory work. International, governmental and non-governmental organizations liaising with the IEC also participate in this preparation. IEC collaborates closely with the International Organization for Standardization (ISO) in accordance with conditions determined by agreement between the two organizations.
- 2) The formal decisions or agreements of IEC on technical matters express, as nearly as possible, an international consensus of opinion on the relevant subjects since each technical committee has representation from all interested IEC National Committees.
- 3) IEC Publications have the form of recommendations for international use and are accepted by IEC National Committees in that sense. While all reasonable efforts are made to ensure that the technical content of IEC Publications is accurate, IEC cannot be held responsible for the way in which they are used or for any misinterpretation by any end user.
- 4) In order to promote international uniformity, IEC National Committees undertake to apply IEC Publications transparently to the maximum extent possible in their national and regional publications. Any divergence between any IEC Publication and the corresponding national or regional publication shall be clearly indicated in the latter.
- 5) IEC itself does not provide any attestation of conformity. Independent certification bodies provide conformity assessment services and, in some areas, access to IEC marks of conformity. IEC is not responsible for any services carried out by independent certification bodies.
- 6) All users should ensure that they have the latest edition of this publication.
- 7) No liability shall attach to IEC or its directors, employees, servants or agents including individual experts and members of its technical committees and IEC National Committees for any personal injury, property damage or other damage of any nature whatsoever, whether direct or indirect, or for costs (including legal fees) and expenses arising out of the publication, use of, or reliance upon, this IEC Publication or any other IEC Publications.
- 8) Attention is drawn to the Normative references cited in this publication. Use of the referenced publications is indispensable for the correct application of this publication.
- 9) Attention is drawn to the possibility that some of the elements of this IEC Publication may be the subject of patent rights. IEC shall not be held responsible for identifying any or all such patent rights.

International Standard IEC 60444-8 has been prepared by IEC technical committee 49: Piezoelectric, dielectric and electrostatic devices and associated materials for frequency control, selection and detection.

This second edition cancels and replaces the first edition published in 2003. This edition constitutes a technical revision.

This edition includes the following significant technical changes with respect to the previous edition:

- a) modification of Clause 1;
- b) modification of 5.2;
- c) modification of 5.3;
- d) modification of 5.4;

e) 6.3 Calibration of the reflection measurement system.

The text of this standard is based on the following documents:

CDV	Report on voting
49/1126/CDV	49/1175/RVC

Full information on the voting for the approval of this standard can be found in the report on voting indicated in the above table.

This publication has been drafted in accordance with the ISO/IEC Directives, Part 2.

A list of all parts in the IEC 60444 series, published under the general title *Measurement of quartz crystal unit parameters*, can be found on the IEC website.

The committee has decided that the contents of this publication will remain unchanged until the stability date indicated on the IEC web site under "<http://webstore.iec.ch>" in the data related to the specific publication. At this date, the publication will be

- reconfirmed,
- withdrawn,
- replaced by a revised edition, or
- amended.

A bilingual version of this publication may be issued at a later date.

IMPORTANT – The 'colour inside' logo on the cover page of this publication indicates that it contains colours which are considered to be useful for the correct understanding of its contents. Users should therefore print this document using a colour printer.

<http://standards.iteh.ai/catalog/standards/iec/a72118b0-4279-4b57-8df1-db310ed8e4f2/iec-60444-8-2016>

INTRODUCTION

This document focuses on test fixtures applied to leadless surface mounted quartz crystal units. The document is the specification for fixtures [1][2]¹ that allow the measurement of (series) resonance frequency, (series) resonance resistance, and equivalent electrical circuit parameters of leadless surface mounted quartz crystal units. The measurement method using an automatic network analyzer with error correction is described in IEC 60444-5, which also contains proposals for test fixtures for quartz crystal units in through-hole packages.

The measuring frequency range is from 1 MHz to 1 200 MHz, and is limited to 1 MHz to 30 MHz, if a physical load capacitance is used. The use of the test fixtures in connection with error correction measurement techniques yields measurement accuracy of about 10^{-6} over of the frequency range, and the accuracy of the resonance resistance is $\pm 2 \Omega$ or $\pm 10 \%$.

This document forms Part 8 of a series of publications dealing with measurements of quartz crystal unit parameters.

The IEC 60444 series consists of the following parts under the general title *Measurement of quartz crystal unit parameters*:

- Part 1: Basic method for the measurement of resonance frequency and resonance resistance of quartz crystal units by zero phase technique in a π -network
- Part 2: Phase offset method for measurement of motional capacitance of quartz crystal units
- Part 4: Method for the measurement of the load resonance frequency f_L , load resonance resistance R_L and the calculation of other derived values of quartz crystal units, up to 30 MHz
- Part 5: Methods for the determination of equivalent electrical parameters using automatic network analyzer techniques and error correction
- Part 6: Measurement of drive level dependence (DLD)
- Part 7: Measurement of activity and frequency dips of quartz crystal units
- Part 8: Text fixture for surface mounted quartz crystal units
- Part 11: Standard method for the determination of the load resonance frequency f_L and the effective load capacitance C_{Leff} using automatic network analyzer techniques and error correction.

¹ Numbers in square brackets refer to the Bibliography.

MEASUREMENT OF QUARTZ CRYSTAL UNIT PARAMETERS –

Part 8: Test fixture for surface mounted quartz crystal units

1 Scope

This part of IEC 60444 describes test fixtures suitable for leadless surface mounted quartz crystal units in enclosures as defined in IEC 61837 (all parts). These fixtures allow the measurement of (series) resonance frequency, (series) resonance resistance, and equivalent electrical circuit parameters L_1 , C_1 and C_0 using the measurement techniques specified in IEC 60444-5 and for the determination of load resonance frequency and load resonance resistance according to IEC TR 60444-4 and IEC 60444-11.

Two test fixtures are described in this document:

- 1) A fixture using the π -network circuit with electrical values as described in IEC 60444-1 for measurements in transmission mode up to 500 MHz. This fixture includes optional means to add physical load capacitors for the measurement of load resonance parameters up to 30 MHz in accordance with IEC 60444-4. The range of load capacitance is 10 pF or more. Calibration of the measurement system and C_L adapter board is explained hereinafter.
- 2) A fixture based on the reflection method, suitable for a frequency range up to 1 200 MHz. No provisions for adding a physical load capacitance are anticipated. Load resonance parameters can be measured by using the method of IEC 60444-11.

2 Normative references

The following documents are referred to in the text in such a way that some or all of their content constitutes requirements of this document. For dated references, only the edition cited applies. For undated references, the latest edition of the referenced document (including any amendments) applies.

IEC 60444-5, *Measurement of quartz crystal units parameters – Part 5: Methods for the determination of equivalent electrical parameters using automatic network analyzer techniques and error correction*

3 Specifications

The test fixture and the method for measuring the (series) resonance frequency, (series) resonance resistance, and equivalent electrical circuit parameters shall be specified in the contract between the crystal unit supplier and the user. The crystal unit requires special consideration as it has no lead wires, in particular if load resonance parameters are to be determined [3].

4 Leadless surface mounted quartz crystal units

4.1 Enclosure

No particular specification shall be made regarding the enclosure type. However, it is recommended that enclosures such as those shown in IEC 61837, be used.

4.2 Overtone and frequency range

No particular specification shall be made regarding the overtone. The frequency range is from 1 MHz to 500 MHz for the described transmission fixture when the physical load capacitance is not used, and from 1 MHz to 30 MHz when the physical load capacitance is used. The frequency range for the reflection fixture is up to 1 200 MHz.

5 Specifications of measurement method, test fixture

5.1 Specifications of measurement method

The basic measurement method is IEC 60444-5. The model of equivalent circuit of the quartz crystal unit is shown in IEC 60122-1. It could be necessary to use a more advanced model for the housed crystal in the high frequency range above several hundred MHz. Depending on the construction of the SMD enclosure, different results may occur between grounded and ungrounded measurements, namely for the measurement of load resonance parameters [3], [4].

If the crystal is grounded in the application, the working frequency may depend on the orientation of the crystal in the circuit. It is therefore recommended to make use of the orientation mark on the crystal (for example pad 1) when correlating the working frequency in the oscillator with the load resonance measurement according to IEC 60444-5.

5.2 Specifications of transmission test fixture

The equivalent circuit of the π -network test fixture and its electric values are based on IEC 60444-1. To match the leadless crystal packages, the size and the structure are different in this document from those of IEC 60444-1 and IEC 60444-5. The test fixture configuration is similar to that in IEC 60444-1. Figure 1 and Figure 2 show the test fixture, but stray capacitances between measurement terminals such as C_{t1} and C_{t2} in IEC 60444-1:1986, Figure 2, are not specified. Figure 3 and Figure 4 show a 3-D view and the mechanical design of the test fixture.

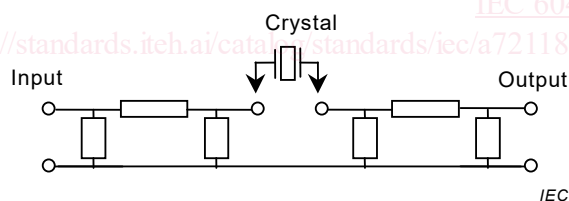


Figure 1 – Transmission π -network test fixture: Simplified equivalent circuit diagram, frequency range from 1 MHz to 500 MHz

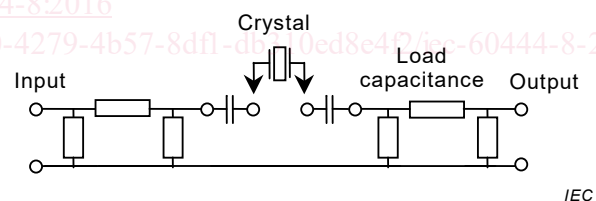
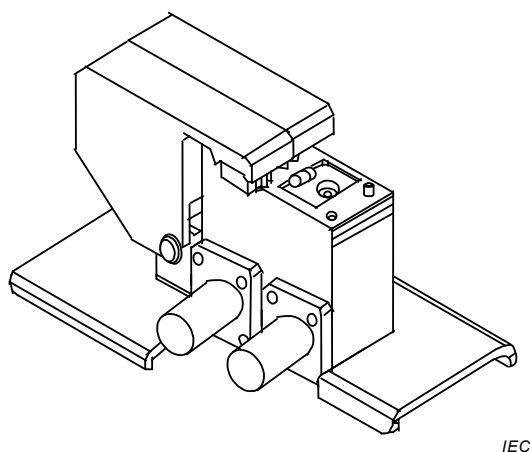


Figure 2 – Transmission π -network test Fixture with physical load capacitors: simplified equivalent circuit, frequency range from 1 MHz to 30 MHz



**Figure 3 – Transmission π -network test fixture:
Three-dimensional projection for the test fixture**

iTeh Standards
(<https://standards.iteh.ai>)
Document Preview

[IEC 60444-8:2016](#)

<https://standards.iteh.ai/catalog/standards/iec/a72118b0-4279-4b57-8df1-db310ed8e4f2/iec-60444-8-2016>