



SLOVENSKI STANDARD

SIST EN 50181:2010

01-september-2010

Nadomešča:
SIST EN 50181:1997

Vtični skoznjiki za napetosti nad 1 kV do 52 kV in tokove od 250 A do 2,50 kA za opremo, razen za transformatorje, polnjene s tekočinami

Plug-in type bushings above 1 kV up to 52 kV and from 250 A to 2,50 kA for equipment other than liquid filled transformers

Steckbare Durchführungen über 1 kV bis 52 kV und von 250 A bis 2,50 kA für Anlagen anders als flüssigkeitsgefüllte Transformatoren

Traversées embrochables de tensions supérieures à 1 kV jusqu'à 52 kV et de 250 A à 2,50 kA pour équipements autres que transformateurs à remplissage de liquide

Ta slovenski standard je istoveten z: EN 50181:2010

ICS:

29.080.20 Skoznjiki Bushings

SIST EN 50181:2010 en,fr

iTeh STANDARD PREVIEW
(standards.iteh.ai)

SIST EN 50181:2010

<https://standards.iteh.ai/catalog/standards/sist/c7db3687-85b7-481a-8d4d-81de24a5b740/sist-en-50181-2010>

EUROPEAN STANDARD
NORME EUROPÉENNE
EUROPÄISCHE NORM

EN 50181

July 2010

ICS 29.080.20

Supersedes EN 50181:1997

English version

Plug-in type bushings above 1 kV up to 52 kV and from 250 A to 2,50 kA for equipment other than liquid filled transformers

Traversées embrochables de tensions supérieures à 1 kV jusqu'à 52 kV et de 250 A à 2,50 kA pour équipements autres que transformateurs à remplissage de liquide

Steckbare Durchführungen über 1 kV bis 52 kV und von 250 A bis 2,50 kA für Anlagen anders als flüssigkeitsgefüllte Transformatoren

iTeh STANDARD PREVIEW

(standards.itoh.ai)
This European Standard was approved by CENELEC on 2010-07-01. CENELEC members are bound to comply with the CEN/CENELEC Internal Regulations which stipulate the conditions for giving this European Standard the status of a national standard without any alteration.

Up-to-date lists and bibliographical references concerning such national standards may be obtained on application to the Central Secretariat or to any CENELEC member.

This European Standard exists in three official versions (English, French, German). A version in any other language made by translation under the responsibility of a CENELEC member into its own language and notified to the Central Secretariat has the same status as the official versions.

CENELEC members are the national electrotechnical committees of Austria, Belgium, Bulgaria, Croatia, Cyprus, the Czech Republic, Denmark, Estonia, Finland, France, Germany, Greece, Hungary, Iceland, Ireland, Italy, Latvia, Lithuania, Luxembourg, Malta, the Netherlands, Norway, Poland, Portugal, Romania, Slovakia, Slovenia, Spain, Sweden, Switzerland and the United Kingdom.

CENELEC

European Committee for Electrotechnical Standardization
Comité Européen de Normalisation Electrotechnique
Europäisches Komitee für Elektrotechnische Normung

Management Centre: Avenue Marnix 17, B - 1000 Brussels

Foreword

This European Standard was prepared by the Technical Committee CENELEC TC 36A, Insulated bushings.

It was submitted to the Unique Acceptance Procedure and was approved by CENELEC as EN 50181 on 2010-07-01.

This document supersedes EN 50181:1997.

The main technical changes on the Plug-in type bushings are:

- Enlarge the scope of the voltage class from the plug-in bushings from 36 kV to 52 kV;
- Upgrading the current capacity of the existing defined bushings;
- Introduce a new bushing interface for 52 kV.

Attention is drawn to the possibility that some of the elements of this document may be the subject of patent rights. CEN and CENELEC shall not be held responsible for identifying any or all such patent rights.

The following dates were fixed:

- latest date by which the EN has to be implemented
at national level by publication of an identical
national standard or by endorsement (dop) 2011-07-01
- latest date by which the national standards conflicting
with the EN have to be withdrawn (dow) 2013-07-01

ITEH STANDARD PREVIEW
(standards.iteh.ai)

SIST EN 50181:2010

<https://standards.iteh.ai/catalog/standards/sist/c7db3687-85b7-481a-8d4d-81de24a5b740/sist-en-50181-2010>

Contents

Introduction	4
1 Scope	4
2 Normative references	4
3 Definitions	4
4 Requirements	5
4.1 Application.....	5
4.2 Standard values of maximum voltage (U_m).....	5
4.3 Standard values of rated current (I_r)	5
4.4 Compliance	5
4.5 Bushing mounting distance	5
4.6 Detail dimensions of plug-in type bushings.....	5
Figures	
Figure 1 - Interface dimensions of outside cone plug-in type bushings	6
Figure 2 - Bushing details of outside cone plug-in type bushings	7
Figure 3 - Outer dimensions of inside cone plug-in type bushings	9
Figure 4 - Interface details of inside cone plug-in type bushings	10
Tables	
Table 1 - Interface dimensions	6
Table 2 - Bushing dimensions	8
Table 3 - Bushing dimensions	9
Table 4 - Interface dimensions	11

iTeh STANDARD PREVIEW

(standards.iteh.ai)

SIST EN 50181:2010

<https://standards.iteh.ai/catalog/standards/sist/c7db3687-85b7-481a-8d4d-81de24a5b740/sist-en-50181-2010>

Introduction

The object of this European Standard is to specify the requirements to ensure interchangeability of bushings for maximum voltages above 1 kV up to 52 kV and rated currents from 250 A to 2 500 A for equipment other than insulating liquid filled transformers.

1 Scope

This European Standard is applicable to insulated bushings for maximum voltages above 1 kV up to 52 kV, rated currents from 250 A up to 2 500 A and frequencies from 15 Hz up to 60 Hz for equipment other than liquid filled transformers.

This European Standard establishes essential dimensions, to ensure adequate mounting and interchangeability of mating plug-in separable connectors of equivalent ratings.

2 Normative references

The following referenced documents are indispensable for the application of this document. For dated references, only the edition cited applies. For undated references, the latest edition of the referenced document (including any amendments) applies.

EN 60137, *Insulated bushings for alternating voltages above 1 000 V*

IEC Guide 109 and Cenelec TC 111X document ¹⁾, *Environmental aspects – Inclusion in electrotechnical product standards*

iTeh STANDARD PREVIEW

NOTE It is highly recommended to minimize the impact of bushings on the environment during all phases of their life (including manufacturing, operation during service life, dismantling after their end of life and disposal or recycling).

IEC Guide 109 and document by CENELEC TC 111X, *Environmental standardization for electrical and electronic products and systems after finalization* can be used as helpful reference.

SIST EN 50181:2010

<https://standards.iteh.ai/catalog/standards/sist/c7db3687-85b7-481a-8d4d-81de24a5b740/sist-en-50181-2010>

3 Terms and definitions

For the purposes of this document, the following terms and definitions apply.

3.1

plug in type bushing

bushing one end of which is immersed in an insulating medium which has customized dimensions according to insulation requirements for the specific application and the other end designed to receive a separable insulated cable connector without which the bushing cannot function

3.2

separable connector

fully insulated termination permitting the connection and disconnection of the cable to and from the mating plug-in type bushing

3.3

interface type

bushing dimensions that insure mechanical and electrical interchangeability of bushing and separable connector of similar rating and type

NOTE Each interface type is designed by a letter or a number.

3.4

bail holder

fixture which facilitates anchoring of an externally mounted device (called the bail) designed to prevent undesirable separation of a separable connector and a bushing

¹⁾ Under development.

NOTE A bail holder may or may not be an integral part of a bushing and is an optional feature.

4 Requirements

4.1 Application

Bushings covered by this European Standard shall be suitable for operation with one end connected to a separable connector and the other end having customized dimensions according to the insulation requirements for the specific application.

4.2 Standard values of maximum voltage (U_m)

The value of U_m of a bushing shall be chosen from the standard values of the highest voltage for equipment, defined in IEC 60038 as given below in kilovolt:

12 – 24 – 36 – 52

4.3 Standard values of rated current (I_r)

The value I_r of a bushing shall be chosen from the standard values given below in ampere:

250 - 400 - 630 - 800 - 1 250 - 1 600 - 2 000 - 2 500

4.4 Compliance

Bushings which are supplied separately shall meet the requirements of EN 60137.

Customized bushings which are integrated directly in the equipment shall comply with the test requirements specified in the standard(s) relevant to that type of equipment.

4.5 Bushing mounting distance

The minimum distance between bushings shall take into account the outer dimensions of separable connectors and the optional bail holders.

4.6 Detail dimensions of plug-in type bushings

4.6.1 General

The dimensions necessary to ensure adequate mounting and interchangeability of mating plug-in separable connectors shall be as specified in the following Figures and Tables.

4.6.2 Outside cone type

The dimensions necessary for outside cone plug-in type bushings are specified in Figures 1 and 2 and in Tables 1 and 2.

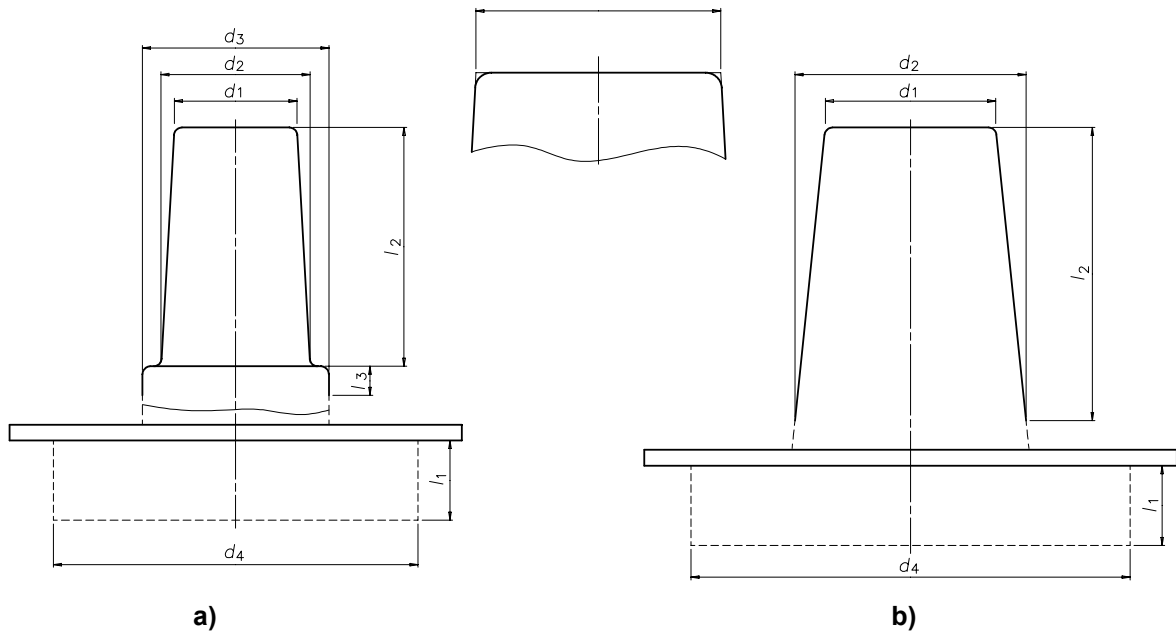


Figure 1 - Interface dimensions of outside cone plug-in type bushings

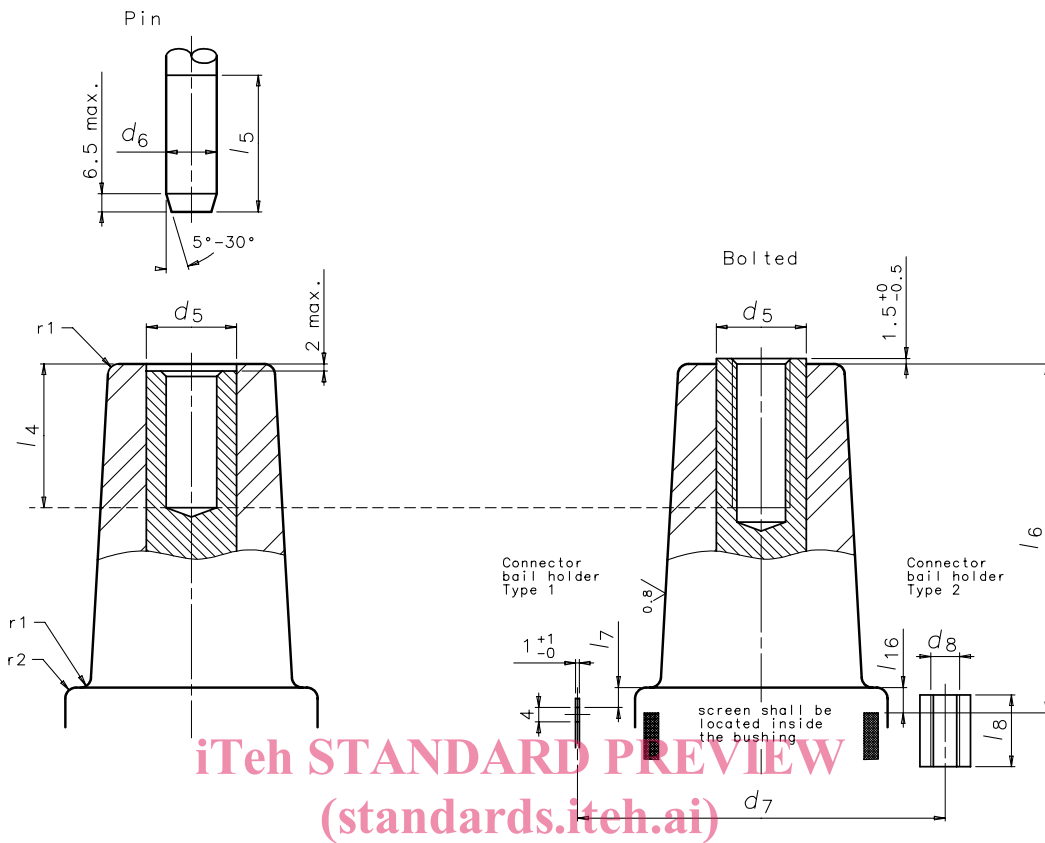
Table 1 - Interface dimensions

U_m	I_r	d_1	$d_2^{±0,2}$	$d_3^{±0,2}$	d_4 max.	l_1 max.	l_2	l_3 min.	Contact type	Interface type	Figure
kV	A	mm	mm	mm	mm	mm	mm	mm			
12-24	250	31 ^{+0,1} _{-0,3}	32,5	48,5	132	205	48 ⁰ _{-0,2}	9	Sliding	A	1a)
12-24-36	250 - 400	46 ±0,2	56	70	137	205	90 ±0,2	11	Sliding	B	1a)
12-24-36	630-1 250	46 ±0,2	56	70	137	205	90 ±0,2	11	Bolted	C	1a)
12-24	800-1 250	39,9 ±0,2	52,1	76,2	137	205	81 ±0,2	14,8	Bolted	D	1a)
36		39,9 ±0,2	61,5	76,2	165	240	103,7 ±0,2	21	Bolted	E	1a)
12-24-36	630-1 250 2 500	64 ±0,2	86,8			165	240	110,5 ±0,2	Bolted	F	1b)
12-24-36-52	630-1 250										

NOTE The envelope $l_1 \times d_4$ represents the section of the plug-in type bushing inside the equipment.

When bushings are an integral functional part of an equipment, the values l_1 and d_4 may differ from the table and shall be defined by the equipment manufacturer.

Interface type: A to E



Interface type: F

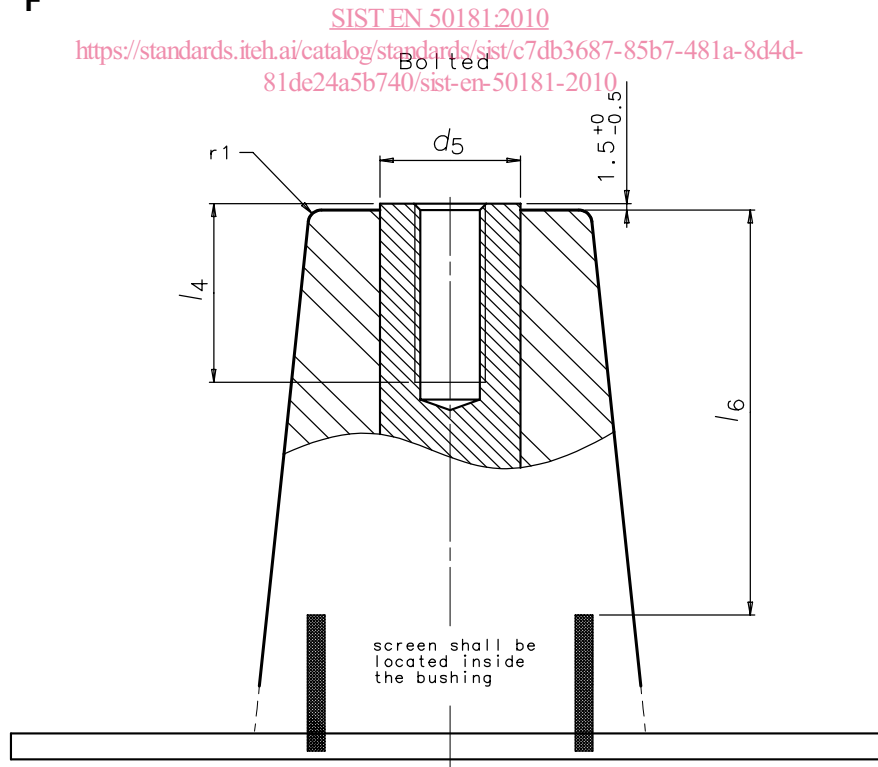


Figure 2 - Bushing details of outside cone plug-in type bushings