
5 YfcbUj h_U!`?cbY_lcf 1ZYY_fj b]ždfUj c_cfb]ža cXi `Urb]!'GHU'buXY'cj bU
hYa dYfUi fU%#) `š7 `!`\$%#`"XY. NUdcfb]dc_fcj]nUXcXUh_Yf%bUa cXi `L!'GHU'buXU'X
nUdfc]nj cX

Aerospace series - Connectors, electrical, rectangular, modular - Operating temperature
175 °C continuous - Part 017: Blank chimney for accessory (1 per module cavity) -
Product standard

Luft- und Raumfahrt - Elektrischer Rechtecksteckverbinder in modularer Bauweise -
Betriebstemperatur 175 °C konstant - Teil 017: Verschlussdeckel für Zugentlastung -
Produktnorm

[SIST EN 4165-017:2008](https://standards.iteh.ai/catalog/standards/sist/02ba2980-79c9-451c-a519-30c000000000/sist-en-4165-017-2008)

Série aérospatiale - Connecteurs électriques rectangulaires modulaires - Température
d'utilisation 175 °C continu - Partie 017 : Obturateurs pour accessoires (1 par cavité de
module) - Norme de produit

Ta slovenski standard je istoveten z: EN 4165-017:2005

ICS:

49.060 Š^cp \ æš Á^• [|b \ æ Aerospace electric
^|\ dã } æ] !^ { æš Á ã c { ã equipment and systems

SIST EN 4165-017:2008

en,de

iTeh STANDARD PREVIEW
(standards.iteh.ai)

SIST EN 4165-017:2008

<https://standards.iteh.ai/catalog/standards/sist/02ba2980-79c9-451c-a519-fe0f405c2039/sist-en-4165-017-2008>

ICS 49.060

English Version

Aerospace series - Connectors, electrical, rectangular, modular -
Operating temperature 175 °C continuous - Part 017: Blank
chimney for accessory (1 per module cavity) - Product standard

Série aéronautique - Connecteurs électriques rectangulaires
modulaires - Température d'utilisation 175 °C continu -
Partie 017 : Obturateurs pour accessoires (1 par cavité de
module) - Norme de produit

Luft- und Raumfahrt - Elektrischer Rechtecksteckverbinder
in modularer Bauweise - Betriebstemperatur 175 °C
konstant - Teil 017: Verschlussdeckel für Zugentlastung -
Produktnorm

This European Standard was approved by CEN on 30 September 2005.

CEN members are bound to comply with the CEN/CENELEC Internal Regulations which stipulate the conditions for giving this European Standard the status of a national standard without any alteration. Up-to-date lists and bibliographical references concerning such national standards may be obtained on application to the Central Secretariat or to any CEN member.

This European Standard exists in three official versions (English, French, German). A version in any other language made by translation under the responsibility of a CEN member into its own language and notified to the Central Secretariat has the same status as the official versions.

CEN members are the national standards bodies of Austria, Belgium, Cyprus, Czech Republic, Denmark, Estonia, Finland, France, Germany, Greece, Hungary, Iceland, Ireland, Italy, Latvia, Lithuania, Luxembourg, Malta, Netherlands, Norway, Poland, Portugal, Slovakia, Slovenia, Spain, Sweden, Switzerland and United Kingdom.



EUROPEAN COMMITTEE FOR STANDARDIZATION
COMITÉ EUROPÉEN DE NORMALISATION
EUROPÄISCHES KOMITEE FÜR NORMUNG

Management Centre: rue de Stassart, 36 B-1050 Brussels

Contents		Page
Foreword		3
1	Scope	4
2	Normative references	4
3	Terms and definitions	4
4	Required characteristics	4
5	Blank chimney for accessories	5
6	Blank chimney for accessory class	5
7	Designation	6
8	Marking	6
9	Technical specification	6

iTeh STANDARD PREVIEW
(standards.iteh.ai)

[SIST EN 4165-017:2008](https://standards.iteh.ai/catalog/standards/sist/02ba2980-79c9-451c-a519-fe0f405c2039/sist-en-4165-017-2008)

[https://standards.iteh.ai/catalog/standards/sist/02ba2980-79c9-451c-a519-
fe0f405c2039/sist-en-4165-017-2008](https://standards.iteh.ai/catalog/standards/sist/02ba2980-79c9-451c-a519-fe0f405c2039/sist-en-4165-017-2008)

Foreword

This European Standard (EN 4165-017:2005) has been prepared by the European Association of Aerospace Manufacturers - Standardization (AECMA-STAN).

After enquiries and votes carried out in accordance with the rules of this Association, this Standard has received the approval of the National Associations and the Official Services of the member countries of AECMA, prior to its presentation to CEN.

This European Standard shall be given the status of a national standard, either by publication of an identical text or by endorsement, at the latest by May 2006, and conflicting national standards shall be withdrawn at the latest by May 2006.

Attention is drawn to the possibility that some of the elements of this document may be the subject of patent rights. CEN [and/or CENELEC] shall not be held responsible for identifying any or all such patent rights.

According to the CEN/CENELEC Internal Regulations, the national standards organizations of the following countries are bound to implement this European Standard: Austria, Belgium, Cyprus, Czech Republic, Denmark, Estonia, Finland, France, Germany, Greece, Hungary, Iceland, Ireland, Italy, Latvia, Lithuania, Luxembourg, Malta, Netherlands, Norway, Poland, Portugal, Slovakia, Slovenia, Spain, Sweden, Switzerland and the United Kingdom.

ITeH STANDARD PREVIEW
(standards.iteh.ai)

SIST EN 4165-017:2008

<https://standards.iteh.ai/catalog/standards/sist/02ba2980-79c9-451c-a519-fe0f405c2039/sist-en-4165-017-2008>

1 Scope

This standard defines the blank chimney for accessories (1 per module cavity) used in the family of rectangular electrical connectors.

The connector accessory body corresponding to those blank chimneys is defined in EN 4165-014.

2 Normative references

The following referenced documents are indispensable for the application of this document. For dated references, only the edition cited applies. For undated references, the latest edition of the referenced document (including any amendments) applies.

EN 2424, *Aerospace series – Marking of aerospace products.*

EN 4165-001, *Aerospace series – Connectors, electrical, rectangular, modular – Operating temperature 175 °C continuous – Part 001: Technical specification.*

EN 4165-002, *Aerospace series – Connectors, electrical, rectangular, modular – Operating temperature 175 °C continuous – Part 002: Specification of performance and contact arrangements.*

EN 4165-014, *Aerospace series – Connectors, electrical, rectangular, modular – Operating temperature 175 °C continuous – Part 014: Shielded accessory body 2 and 4 modules for connectors, series 2 and series 3 – Product standard.*

ITeH STANDARD PREVIEW
(standards.iteh.ai)

3 Terms and definitions

For the purposes of this standard the terms and definitions given in EN 4165-001 apply.

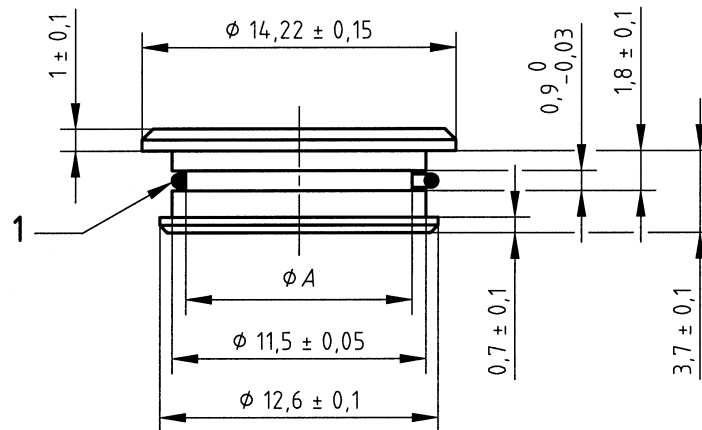
[SIST EN 4165-017:2008](https://standards.iteh.ai/catalog/standards/sist/en-4165-017-2008)
<https://standards.iteh.ai/catalog/standards/sist/en-4165-017-2008>

4 Required characteristics

See Figure 1.

5 Blank chimney for accessories

Dimensions are in millimetres.



iTeh STANDARD PREVIEW
(standards.iteh.ai)

SIST EN 4165-017:2008

<https://standards.iteh.ai/catalog/standards/sist/02ba2980-79c9-451c-a519-fe0f405c2039/sist-en-4165-017-2008>

Key

1 hexagonal clip, thread $\phi 0,6$

Figure 1

6 Blank chimney for accessory class

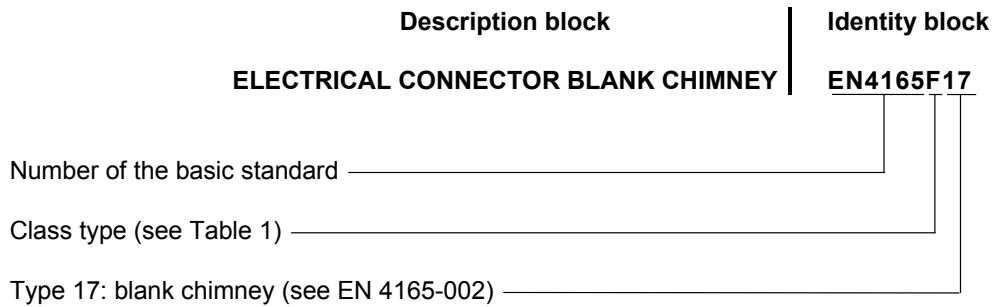
See Table 1.

Table 1

Class	Description
W	Blank chimney for accessory with housing (shell) olive drab cadmium plated, aluminium alloy, conducting finish, 500 hours resistance to salt mist, maximum operating temperature 175 °C continuous
F	Blank chimney for accessory with housing (shell) black nickel plated, aluminium alloy, 96 hours resistance to salt mist, maximum operating temperature 175 °C continuous

7 Designation

EXAMPLE



8 Marking

Unless there are other specific contractual requirements, the marking shall be in accordance with EN 2424, category P.

9 Technical specification

See EN 4165-001.

iTeh STANDARD PREVIEW
(standards.iteh.ai)

[SIST EN 4165-017:2008](https://standards.iteh.ai/catalog/standards/sist/02ba2980-79c9-451c-a519-fe0f405c2039/sist-en-4165-017-2008)
<https://standards.iteh.ai/catalog/standards/sist/02ba2980-79c9-451c-a519-fe0f405c2039/sist-en-4165-017-2008>