



SLOVENSKI STANDARD SIST EN 4165-021:2009

01-april-2009

5 YfcbUj h_U!`?cbY_hcf`jZY_Y_hf] b]ždfUj c_cfb]ža cXi `Ufb]!`GhU`bUXY`cj bU
hYa dYfUhi fU%#) `š7 `!`\$&%`XY.`?cX]fUb]i hcf`nU[]V`]j c`j h] bc`dcj YnUj c`!`GhU`bUXX
nUdfc]nj cX

Aerospace series - Connectors, electrical, rectangular, modular - Operating temperature
175 °C continuous - Part 021: Coupling system keyway for plug - Product standard

Luft- und Raumfahrt - Elektrischer Rechtecksteckverbinder in modularer Bauweise -
Betriebstemperatur 175 °C konstant - Teil 021: Kodierungssystem für freie
Steckverbinder - Produktnorm (standards.iteh.ai)

Série aérospatiale - Connecteurs électriques modulaires - Températures d'utilisation 175
°C continu - Partie 021 : Système de détrompage pour fiches - Norme de produit

Ta slovenski standard je istoveten z: EN 4165-021:2007

ICS:

49.060 Š^c# \ æš Ą^•[||b\ æ Aerospace electric
^|\ dā } æĭ] !^ { æš Ą ā c { ā equipment and systems

SIST EN 4165-021:2009

en,fr,de

iTeh STANDARD PREVIEW
(standards.iteh.ai)

SIST EN 4165-021:2009

<https://standards.iteh.ai/catalog/standards/sist/3ce46fcd-a1b5-4a66-8f38-935b9ee9b997/sist-en-4165-021-2009>

EUROPEAN STANDARD

EN 4165-021

NORME EUROPÉENNE

EUROPÄISCHE NORM

April 2007

ICS 49.060

English Version

Aerospace series - Connectors, electrical, rectangular, modular -
Operating temperature 175 °C continuous - Part 021: Coupling
system keyway for plug - Product standard

Série aéronautique - Connecteurs électriques modulaires -
Températures d'utilisation 175 °C continu - Partie 021 :
Système de détrompage pour fiches - Norme de produit

Luft- und Raumfahrt - Elektrischer Rechtecksteckverbinder
in modularer Bauweise - Betriebstemperatur 175 °C
konstant - Teil 021: Kodierungssystem für freie
Steckverbinder - Produktnorm

This European Standard was approved by CEN on 30 September 2005.

CEN members are bound to comply with the CEN/CENELEC Internal Regulations which stipulate the conditions for giving this European Standard the status of a national standard without any alteration. Up-to-date lists and bibliographical references concerning such national standards may be obtained on application to the CEN Management Centre or to any CEN member.

This European Standard exists in three official versions (English, French, German). A version in any other language made by translation under the responsibility of a CEN member into its own language and notified to the CEN Management Centre has the same status as the official versions.

CEN members are the national standards bodies of Austria, Belgium, Bulgaria, Cyprus, Czech Republic, Denmark, Estonia, Finland, France, Germany, Greece, Hungary, Iceland, Ireland, Italy, Latvia, Lithuania, Luxembourg, Malta, Netherlands, Norway, Poland, Portugal, Romania, Slovakia, Slovenia, Spain, Sweden, Switzerland and United Kingdom.



EUROPEAN COMMITTEE FOR STANDARDIZATION
COMITÉ EUROPÉEN DE NORMALISATION
EUROPÄISCHES KOMITEE FÜR NORMUNG

Management Centre: rue de Stassart, 36 B-1050 Brussels

Contents

Page

Foreword.....	3
1 Scope	4
2 Normative references	4
3 Terms and definitions	4
4 Required characteristics.....	5
5 Designation	6
6 Technical specification	6

iTeh STANDARD PREVIEW
(standards.iteh.ai)

[SIST EN 4165-021:2009](https://standards.iteh.ai/catalog/standards/sist/3ce46fcd-a1b5-4a66-8f38-935b9ce9b997/sist-en-4165-021-2009)

<https://standards.iteh.ai/catalog/standards/sist/3ce46fcd-a1b5-4a66-8f38-935b9ce9b997/sist-en-4165-021-2009>

Foreword

This document (EN 4165-021:2007) has been prepared by the Aerospace and Defence Industries Association of Europe - Standardization (ASD-STAN).

After enquiries and votes carried out in accordance with the rules of this Association, this Standard has received the approval of the National Associations and the Official Services of the member countries of ASD, prior to its presentation to CEN.

This European Standard shall be given the status of a national standard, either by publication of an identical text or by endorsement, at the latest by October 2007, and conflicting national standards shall be withdrawn at the latest by October 2007.

Attention is drawn to the possibility that some of the elements of this document may be the subject of patent rights. CEN [and/or CENELEC] shall not be held responsible for identifying any or all such patent rights.

According to the CEN/CENELEC Internal Regulations, the national standards organizations of the following countries are bound to implement this European Standard: Austria, Belgium, Bulgaria, Cyprus, Czech Republic, Denmark, Estonia, Finland, France, Germany, Greece, Hungary, Iceland, Ireland, Italy, Latvia, Lithuania, Luxembourg, Malta, Netherlands, Norway, Poland, Portugal, Romania, Slovakia, Slovenia, Spain, Sweden, Switzerland and the United Kingdom.

THIS STANDARD PREVIEW
(standards.iteh.ai)

SIST EN 4165-021:2009

<https://standards.iteh.ai/catalog/standards/sist/3ce46fcd-a1b5-4a66-8f38-935b9ee9b997/sist-en-4165-021-2009>

EN 4165-021:2007 (E)

1 Scope

This standard defines the coupling system keyway for plug used in the family of rectangular electrical connectors.

The connector plugs corresponding to those coupling system keyways are defined in EN 4165-006, EN 4165-007, EN 4165-008 and EN 4165-009 and EN 4165-010.

2 Normative references

The following referenced documents are indispensable for the application of this document. For dated references, only the edition cited applies. For undated references, the latest edition of the referenced document (including any amendments) applies.

EN 4165-001, *Aerospace series – Connectors, electrical, rectangular, modular – Operating temperature 175 °C continuous – Part 001: Technical specification.*

EN 4165-006, *Aerospace series – Connectors, electrical, rectangular, modular – Operating temperature 175 °C continuous – Part 006: Plug for 2 and 4 modules, series 2 – Product standard.*

EN 4165-007, *Aerospace series – Connectors, electrical, rectangular, modular – Operating temperature 175 °C continuous – Part 007: Plug for 2 and 4 modules, series 3 – Product standard.*

EN 4165-008, *Aerospace series – Connectors, electrical, rectangular, modular – Operating temperature 175 °C continuous – Part 008: Rack and panel plug for 2 and 4 modules, series 2 – Product standard.*

EN 4165-009, *Aerospace series – Connectors, electrical, rectangular, modular – Operating temperature 175 °C continuous – Part 009: Rack and panel plug for 2 and 4 modules, series 3 – Product standard.*

EN 4165-010, *Aerospace series – Connectors, electrical, rectangular, modular – Operating temperature 175 °C continuous – Part 010: Rack and panel rear mounted plug for 2 and 4 modules, series 2 – Product standard.*

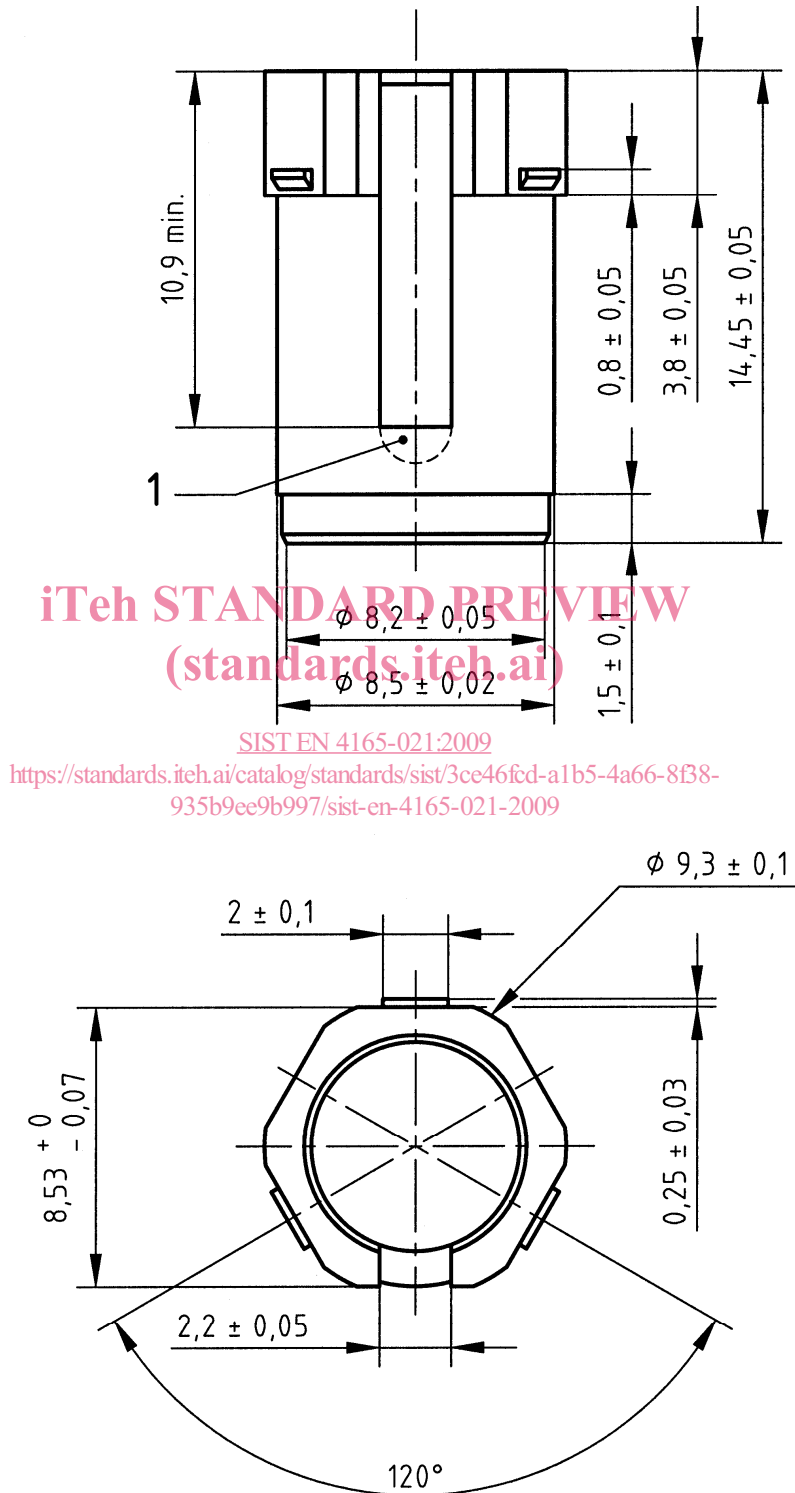
3 Terms and definitions

For the purposes of this document, the terms and definitions given in EN 4165-001 apply.

4 Required characteristics

Dimensions are in millimetres.

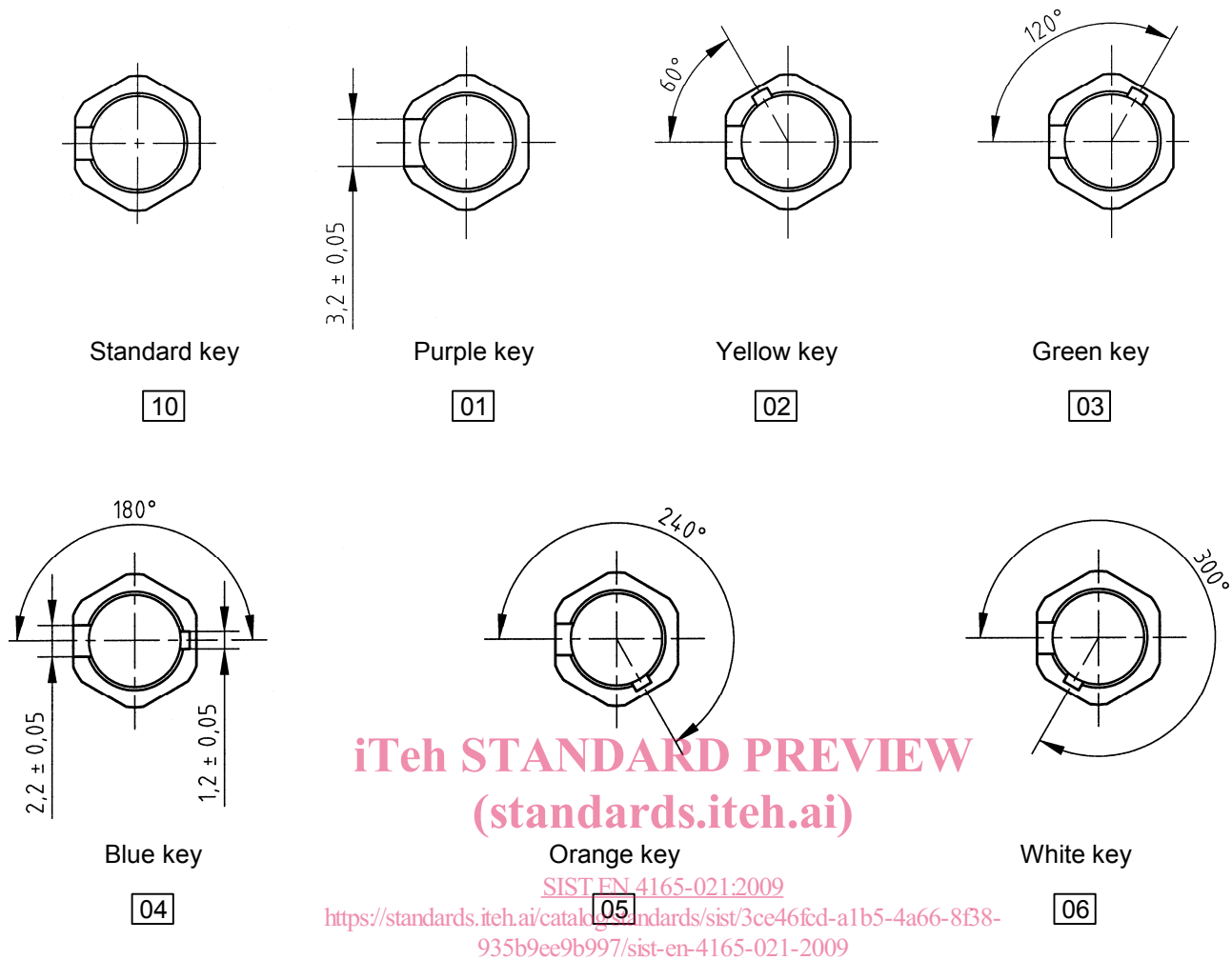
See Figure 1 and Figure 2.



Key

1 optional design

Figure 1

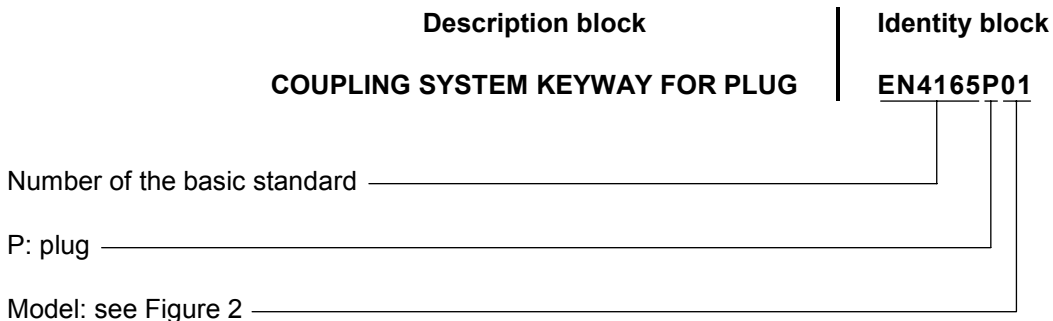


NOTE Coloured paint is visible only on the top face.

Figure 2

5 Designation

EXAMPLE



6 Technical specification

See EN 4165-001.