

INTERNATIONAL
STANDARDIZED
PROFILE

ISO/IEC
ISP
10613-9

First edition
1994-05-15

**Information technology — International
Standardized Profile RA — Relaying the
Connectionless-mode Network Service —**

Part 9:

**Definition of profile RA51.1121, relaying the
Connectionless-mode Network Service
between CSMA/CD LAN subnetworks and
PSDNs using virtual calls over a digital data
circuit/CSDN leased line permanent access**

*Technologies de l'information — Profil normalisé international RA —
Relais de service de réseau en mode sans connexion —*

*Partie 9: Définition du profil RA51.1121, relais de service de réseau en
mode sans connexion entre sous-réseaux CSMA/CD LAN et PSDNs
utilisant des appels virtuels sur un circuit de données numériques sur un
accès permanent en ligne alloué CSDN*

INTERNATIONAL

ISO/IEC



Reference number
ISO/IEC ISP 10613-9:1994(E)

ISO/IEC ISP 10613-9:1994(E)

Contents	Page
Foreword	iii
Introduction	v
1 Scope	1
1.2 Position within the Taxonomy	1
1.3 Scenario	1
2 Normative references	2
3 Definitions	3
4 Abbreviations	3
5 Requirements	3
5.1 Static Conformance Requirements	3
5.2 Dynamic Conformance Requirements	4
Annex A ISPICS Requirements List (normative)	5
A.1 General Options of the Profile	5
A.2 Base Standards Selected and Combined in the Profile	5
A.3 Constraints on Base Standards	5

STANDARD PREVIEW
(standards.iteh.ai)
<https://standards.iteh.ai/catalog/standards/sist/11551983-713f-4184-acc-070ff16c17e0/iso-iec-isp-10613-9-1994>

© ISO/IEC 1994

All rights reserved. Unless otherwise specified, no part of this publication may be reproduced or utilized in any form or by any means, electronic or mechanical, including photocopying and microfilm, without permission in writing from the publisher.

ISO/IEC Copyright Office • Case postale 56 • CH-1211 Genève • Switzerland

Printed in Switzerland

Foreword

ISO (the International Organization for Standardization) and IEC (the International Electrotechnical Commission) form the specialized system for worldwide standardization. National bodies that are members of ISO or IEC participate in the development of International Standards through technical committees established by the respective organization to deal with particular fields of technical activity. ISO and IEC technical committees collaborate in fields of mutual interest. Other international organizations, governmental and non-governmental, in liaison with ISO and IEC, also take part in the work.

In the field of information technology, ISO and IEC have established a joint technical committee, ISO/IEC JTC1. In addition to developing International Standards, ISO/IEC JTC1 has created a Special Group on Functional Standardization for the elaboration of International Standardized Profiles.

An International Standardized Profile is an internationally agreed, harmonized document which identifies a standard or group of standards, together with options and parameters, necessary to accomplish a function or a set of functions.

Draft International Standardized Profiles are circulated to national bodies for voting. Publication as an International Standardized Profile requires approval by at least 75 % of the national bodies casting a vote.

International Standardized Profile ISO/IEC ISP 10613-9 was prepared with the collaboration of

- Asia-Oceania Workshop (AOW);
- European Workshop for Open Systems (EWOS);
- Open Systems Environment Implementors' Workshop (OIW)

ISO/IEC ISP 10613 consists of several parts, under the general title *Information technology - International Standardized Profile RA - Relaying the Connectionless-mode Network Service*:

- *Part 1: Subnetwork-independent requirements*
- *Part 2: LAN subnetwork-dependent, media-independent requirements*
- *Part 3: CSMA/CD LAN subnetwork-dependent, media-dependent requirements*
- *Part 4: FDDI LAN subnetwork-dependent, media-dependent requirements*
- *Part 5: Definition of profile RA51.51, relaying the Connectionless-mode Network Service between CSMA/CD LAN subnetworks*
- *Part 6: Definition of profile RA51.54, relaying the Connectionless-mode Network Service between CSMA/CD LAN subnetworks and FDDI LAN subnetworks*
- *Part 7: PSDN subnetwork-dependent, media-dependent requirements for virtual calls over a permanent access*
- *Part 8: Definition of profile RA51.1111, relaying the Connectionless-mode Network Service between CSMA/CD LAN subnetworks and PSDNs using virtual calls over a PSTN leased line permanent access*

- *Part 9: Definition of profile RA51.1121, relaying the Connectionless-mode Network Service between CSMA/CD LAN subnetworks and PSDNs using virtual calls over a digital data circuit/CSDN leased line permanent access*
- *Part 10: Token Ring LAN subnetwork-dependent, media-dependent requirements*
- *Part 11: Definition of profile RA51.53, relaying the Connectionless-mode Network Service between CSMA/CD LAN subnetworks and Token Ring LAN subnetworks*
- *Part 12: Definition of profile RA53.53, relaying the Connectionless-mode Network Service between Token Ring LAN subnetworks*
- *Part 13: Definition of profile RA53.54, relaying the Connectionless-mode Network Service between Token Ring LAN subnetworks and FDDI LAN subnetworks*
- *Part 14: Definition of profile RA54.54, relaying the Connectionless-mode Network Service between FDDI LAN subnetworks*
- *Part 15: Definition of profile RA53.1111, relaying the Connectionless-mode Network Service between Token Ring LAN subnetworks and PSDNs using virtual calls over a PSTN leased line permanent access*
- *Part 16: Definition of profile RA53.1121, relaying the Connectionless-mode Network Service between Token Ring LAN subnetworks and PSDNs using virtual calls over a digital data circuit/CSDN leased line permanent access*
- *Part 17: Definition of profile RA54.1111, relaying the Connectionless-mode Network Service between FDDI LAN subnetworks and PSDNs using virtual calls over a PSTN leased line permanent access*
- *Part 18: Definition of profile RA54.1121, relaying the Connectionless-mode Network Service between FDDI LAN subnetworks and PSDNs using virtual calls over a digital data circuit/CSDN leased line permanent access*

Annex A forms an integral part of this part of ISO/IEC ISP 10613.

Introduction

This International Standardized Profile (ISP) is defined in accordance with the principles specified by ISO/IEC Technical Report 10000.

The context of Functional Standardization is one area in the overall field of Information Technology (IT) standardization activities, covering base standards, profiles, and registration mechanisms. A profile defines a combination of base standards that collectively perform a specific well-defined IT function. Profiles standardize the use of options and other variations in the base standards, and provide a basis for the development of uniform, internationally recognized system tests.

ISPs are produced not simply to 'legitimize' a particular choice of base standards and options, but to promote real system interoperability. One of the most important roles for an ISP is to serve as the basis for the development (by organizations other than ISO and IEC) of internationally recognized tests. The development and widespread acceptance of tests based on this and other ISPs is crucial to the successful realization of this goal.

ISO/IEC ISP 10613 consists of several parts of which this is part 9. ISO/IEC ISP 10613-1 specifies the profile requirements that are subnetwork-independent. There are further parts which specify subnetwork-dependent and media-dependent requirements. In addition, for each individual profile there is a part of ISO/IEC ISP 10613 which identifies the specific requirements of that profile, making reference to appropriate material from part 1 and from the subnetwork dependent parts of ISO/IEC ISP 10613.

iTeh STANDARD PREVIEW (standards.iteh.ai)

[ISO/IEC ISP 10613-9:1994](https://standards.iteh.ai/catalog/standards/sist/11551983-713f-4184-acec-070ff16c17e0/iso-iec-isp-10613-9-1994)

<https://standards.iteh.ai/catalog/standards/sist/11551983-713f-4184-acec-070ff16c17e0/iso-iec-isp-10613-9-1994>

blank page

iTeh STANDARD PREVIEW
(standards.iteh.ai)

ISO/IEC ISP 10613-9:1994

<https://standards.iteh.ai/catalog/standards/sist/11551983-713f-4184-acc-070ff16c17e0/iso-iec-isp-10613-9-1994>

Information technology - International Standardized Profile RA - Relaying the Connectionless-mode Network Service -

Part 9:

Definition of profile RA51.1121, relaying the Connectionless-mode Network Service between CSMA/CD LAN subnetworks and PSDNs using virtual calls over a digital data circuit/CSDN leased line permanent access

1 Scope

iTeh STANDARD PREVIEW

(standards.iteh.ai)

This International Standardized Profile is applicable to interworking units concerned with operating in the Open Systems Interconnection (OSI) environment. It specifies a combination of OSI base standards that collectively provide a Network Relay function for the connectionless-mode Network Service.

<https://standards.iteh.ai/catalog/standards/sist/11551983-713f4184-acc-ef18613e-RA51.1121-profile-9>

This part of ISO/IEC ISP 10613 defines the RA51.1121 profile, which is applicable to interworking units operating between CSMA/CD LAN subnetworks and PSDNs using Virtual Calls over a digital data circuit/CSDN leased line permanent access.

1.2 Position within the Taxonomy

The taxonomy of profiles is defined in ISO/IEC TR 10000-2. This part of ISO/IEC ISP 10613 defines the profile:

RA51.1121: Relaying the Connectionless-mode Network Service between CSMA/CD LAN subnetworks and PSDNs using virtual calls over a digital data circuit/CSDN leased line permanent access.

1.3 Scenario

Figure 1 illustrates the configuration of systems to which the RA51.1121 profile is applicable. The figure shows two reference points, but an implementation of this profile may include more attachments to CSMA/CD LANs and PSDNs, with a reference point at each.

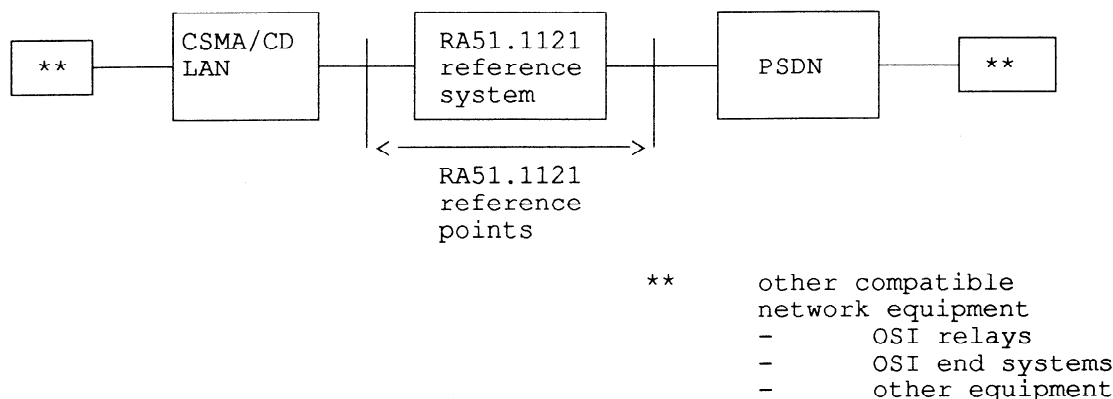


Figure 1 - Scenario of applicability of the RA51.1121 profile

As this profile is a member of the RA group, it is intended that a conforming implementation is capable of interworking with other profiles of the RA group and with End Systems implementing profiles from the TA group or from the UA group, provided that suitable relays are in place in the case of those members of these groups which relate to different elements of the subnetwork taxonomy.

This part of ISO/IEC ISP 10613 specifies the required functions from the supporting protocol stack shown in figure 2.

iteh STANDARD PREVIEW
(standards.iteh.ai)

Network Layer	ISO 8473, ISO 9542 https://standards.iteh.ai/catalog/standards/sist/1551983-713f-4184-acc-070ff16c17e0/iso-iec-isp-10613-9-1994	
Data Link Layer	ISO 8802-2 ISO/IEC 8802-3	ISO 7776
Physical Layer	ISO/IEC 8802-3	X.25 dedicated access via digital data circuit

Figure 2 - Profile Protocol Stack for RA51.1121 Intermediate System

2 Normative references

The following documents contain provisions which, through reference in this text, constitute provisions of this part of ISO/IEC ISP 10613. At the time of publication, the editions indicated were valid. All documents are subject to revision, and parties to agreements based on this part of ISO/IEC ISP 10613 are warned against automatically applying any more recent editions of the documents listed below, since the nature of references made by ISPs to such documents is that they may be specific to a particular edition. Members of IEC and ISO maintain registers of currently valid International Standards and ISPs, and CCITT maintains published editions of its current Recommendations.

ISO 8473:1988, *Information processing systems - Data communications - Protocol for providing the Connectionless-mode Network service.*

ISO 8473:1988/Cor.1:1992, *Information processing systems - Data communications - Protocol for providing the Connectionless-mode Network service - Technical Corrigendum 1*

NOTE - This Technical Corrigendum to ISO 8473 is to apply throughout in this part of ISO/IEC ISP 10613, wherever ISO 8473 itself is referenced.

ISO/IEC TR 10000-1:1992, *Information technology - Framework and taxonomy of International Standardized Profiles -Part 1: Framework.*

ISO/IEC TR 10000-2:1992, *Information technology - Framework and taxonomy of International Standardized Profiles - Part 2: Taxonomy of OSI Profiles.*

ISO/IEC ISP 10613-1:1994, *Information technology - International Standardized Profile RA - Relaying the Connectionless-mode Network Service - Part 1: Subnetwork-independent requirements.*

ISO/IEC ISP 10613-2:1994, *Information technology - International Standardized Profile RA - Relaying the Connectionless-mode Network Service - Part 2: LAN subnetwork-dependent, media-independent requirements.*

ISO/IEC ISP 10613-3:1994, *Information technology - International Standardized Profile RA - Relaying the Connectionless-mode Network Service - Part 3: CSMA/CD LAN subnetwork-dependent, media-dependent requirements.*

ISO/IEC ISP 10613-7:1994, *Information technology - International Standardized Profile RA - Relaying the Connectionless-mode Network Service - Part 7: PSDN subnetwork-dependent, media-dependent requirements for virtual calls over a permanent access.*

Additional normative references are found in each of the ISP parts listed above. These additional normative references are base standards used for development of the relevant ISP parts.

<https://standards.iteh.ai/catalog/standards/sist/11551983-713f-4184-acc-070ff16c17e0/iso-iec-isp-10613-9-1994>

3 Definitions

All the terms used in this part of ISO/IEC ISP 10613 are defined in the documents that are referenced in clause 2.

4 Abbreviations

All abbreviations, including acronyms, are used in this part of ISO/IEC ISP 10613 as defined in the documents referenced in clause 2.

5 Requirements

5.1 Static Conformance Requirements

An implementation conforming to the profile defined in this part of ISO/IEC ISP 10613 shall:

- a) support at least one point of attachment to an ISO/IEC 8802-3 CSMA/CD LAN, through which it shall support all the features specified as static conformance requirements of parts 1, 2 and 3 of ISO/IEC ISP 10613;