



SLOVENSKI STANDARD
SIST EN 695:2005

01-december-2005

Nadomešča:
SIST EN 695:1998

Kuhinjsko pomivalno korito – Priključne mere

Kitchen sinks - Connecting dimensions

Küchenspülen - Anschlussmaße

Eviers de cuisine - Cotes de raccordement

iTeh STANDARD PREVIEW
(standards.iteh.ai)

Ta slovenski standard je istoveten z: ~~SIST EN 695:2005~~ EN 695:2005

<https://standards.iteh.ai/catalog/standards/sist/f474408f-2e72-4180-84c7-d078f2e08d/sist-en-695-2005>

ICS:

91.140.70 Sanitarne naprave Sanitary installations

SIST EN 695:2005 **de**

iTeh STANDARD PREVIEW
(standards.iteh.ai)

[SIST EN 695:2005](#)

<https://standards.iteh.ai/catalog/standards/sist/f474408f-2e72-4180-84c7-d07f6f2c0f6d/sist-en-695-2005>

EUROPEAN STANDARD
NORME EUROPÉENNE
EUROPÄISCHE NORM

EN 695

August 2005

ICS 91.140.70; 97.040.99

Supersedes EN 695:1997

English Version

Kitchen sinks - Connecting dimensions

Eviers de cuisine - Cotes de raccordement

Küchenspülen - Anschlussmaße

This European Standard was approved by CEN on 1 July 2005.

CEN members are bound to comply with the CEN/CENELEC Internal Regulations which stipulate the conditions for giving this European Standard the status of a national standard without any alteration. Up-to-date lists and bibliographical references concerning such national standards may be obtained on application to the Central Secretariat or to any CEN member.

This European Standard exists in three official versions (English, French, German). A version in any other language made by translation under the responsibility of a CEN member into its own language and notified to the Central Secretariat has the same status as the official versions.

CEN members are the national standards bodies of Austria, Belgium, Cyprus, Czech Republic, Denmark, Estonia, Finland, France, Germany, Greece, Hungary, Iceland, Ireland, Italy, Latvia, Lithuania, Luxembourg, Malta, Netherlands, Norway, Poland, Portugal, Slovakia, Slovenia, Spain, Sweden, Switzerland and United Kingdom.

(standards.iteh.ai)

SIST EN 695:2005

<https://standards.iteh.ai/catalog/standards/sist/f474408f-2e72-4180-84c7-d07f6f2c0f6d/sist-en-695-2005>



EUROPEAN COMMITTEE FOR STANDARDIZATION
COMITÉ EUROPÉEN DE NORMALISATION
EUROPÄISCHES KOMITEE FÜR NORMUNG

Management Centre: rue de Stassart, 36 B-1050 Brussels

Contents

Foreword	3
1 Scope	4
2 Normative references	4
3 Terms and definitions	4
4 Waste outlet holes	4
5 Fitting area for tap holes	7
6 Overflow holes	9
Bibliography	12

iTeh STANDARD PREVIEW (standards.iteh.ai)

[SIST EN 695:2005](#)

<https://standards.iteh.ai/catalog/standards/sist/f474408f-2e72-4180-84c7-d07f6f2c0f6d/sist-en-695-2005>

Foreword

This European Standard (EN 695:2005) has been prepared by Technical Committee CEN/TC 163 “Sanitary appliances”, the secretariat of which is held by UNI.

This European Standard shall be given the status of a national standard, either by publication of an identical text or by endorsement, at the latest by February 2006, and conflicting national standards shall be withdrawn at the latest by February 2006.

This document supersedes EN 695:1997.

According to the CEN/CENELEC Internal Regulations, the national standards organizations of the following countries are bound to implement this European Standard: Austria, Belgium, Cyprus, Czech Republic, Denmark, Estonia, Finland, France, Germany, Greece, Hungary, Iceland, Ireland, Italy, Latvia, Lithuania, Luxembourg, Malta, Netherlands, Norway, Poland, Portugal, Slovakia, Slovenia, Spain, Sweden, Switzerland and United Kingdom.

iTeh STANDARD PREVIEW (standards.iteh.ai)

[SIST EN 695:2005](#)

<https://standards.iteh.ai/catalog/standards/sist/f474408f-2e72-4180-84c7-d07f6f2c0f6d/sist-en-695-2005>

EN 695:2005 (E)**1 Scope**

This European Standard specifies connecting dimensions for kitchen sinks used for domestic purposes, regardless of the material from which they are manufactured.

NOTE 1 For the purposes of this standard the term "domestic purposes" includes use in hotels, accommodation for students, hospitals and similar buildings, except when special medical provisions are required.

NOTE 2 The figures are given by way of example; other designs are possible.

This European Standard does not apply to industrial kitchen sinks.

2 Normative references

The following referenced documents are indispensable for the application of this document. For dated references, only the edition cited applies. For undated references, the latest edition of the referenced document (including any amendments) applies.

EN 13310:2003, *Kitchen sinks – Functional requirements and test methods*

3 Terms and definitions

For the purposes of this European Standard, the terms and definitions given in EN 13310:2003 and the following apply.

3.1**integral overflow**

overflow arrangement which is a part of the kitchen sink formed during its manufacture

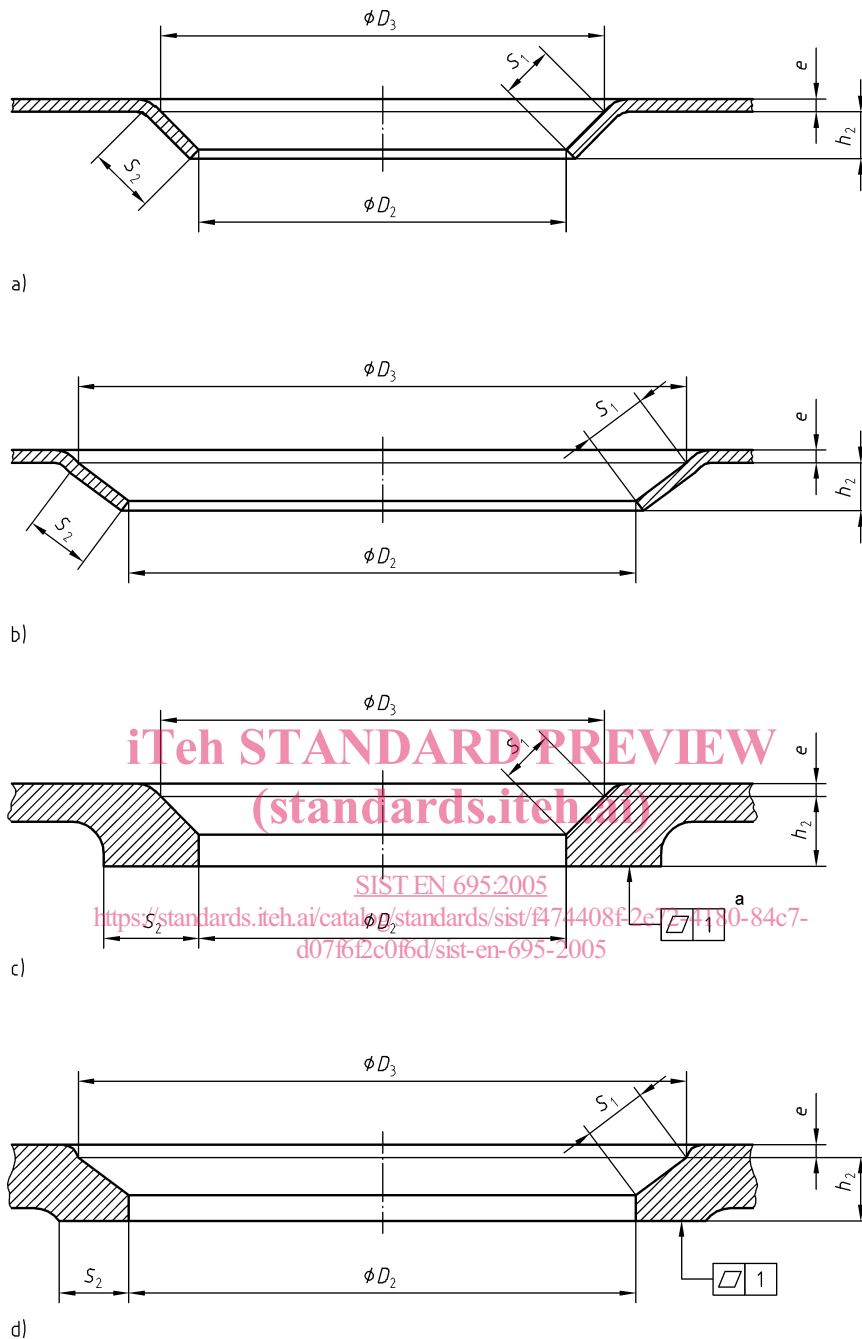
iTeh STANDARD PREVIEW
(standards.iteh.ai)
SIST EN 695:2005
<https://standards.iteh.ai/catalog/standards/sist/8174408f-2e72-4180-84c7-d07f6f2c0f6d/sist-en-695-2005>

4 Waste outlet holes

The connecting dimensions for waste outlet holes shall comply with the requirements given in Table 1 except when the waste outlets are supplied by the manufacturer together with the kitchen sink.

Table 1 — Connecting dimensions for waste outlet holes (see Figures 1 and 2)

Designation	Symbol	Value mm	Reference diameter D_3^a mm	Remarks
Diameter of waste outlet hole or punched grill	D_2	52^{+3}_{-2}	70	For all kitchen sinks
		60^{+1}_0	70	For kitchen sinks made of stainless steel, enamelled steel and plastics materials
		62^{+3}_{-2}	85	For kitchen sinks made of ceramics and plastics materials
		90^{+3}_{-2}	115	For all kitchen sinks
Distance between the reference diameter of the waste outlet and the underside of the waste outlet hole	h_2	2 to 25	—	For kitchen sinks without integral overflow
		45 to 65	—	For kitchen sinks made of ceramics with an integral overflow
Distance between the bottom of the bowl and the reference diameter of the waste outlet	e	≥ 2	—	—
Waste outlet hole-sealing surface for the upper side	S_1^b	—	—	—
Waste outlet hole-sealing surface for the underside	S_2	≥ 3	—	—
<p>a D_3 is a reference diameter from which e and h_2 are measured (see external flange diameter E in EN 274-1).</p> <p>b S_1 is intended to provide proper sealing between the waste outlet and waste outlet hole.</p>				

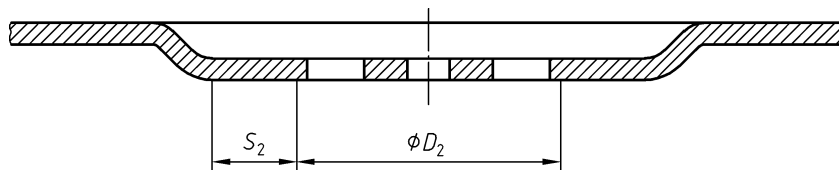
**Key**

- a) waste outlet hole for kitchen sinks made of stainless steel and enamelled steel
- b) waste outlet hole for kitchen sinks made of stainless steel
- c) waste outlet hole for kitchen sinks made of ceramics and plastics materials
- d) waste outlet hole for kitchen sinks made of plastics materials

NOTE For explanation of symbols see Table 1.

^a The tolerance allowed for the planarity of the surface is 1.

Figure 1 — Shapes for waste outlet holes



NOTE For explanation of symbols see Table 1

Figure 2 — Punched grill

5 Fitting area for tap holes

5.1 Fitting area for a single tap hole

The fitting area for the single tap hole shall comply with the requirements given in Table 2.

Table 2 — Dimensions for the fitting area for the single tap hole (see Figure 3)

Designation	Symbol	Value mm
Diameter of tap hole	d_2	35^{+2}_{-1}
Diameter of the clearance for the tap pedestal	d_3	≥ 64
Thickness of the material in the area of the tap hole	s	≤ 18
Clearance radius of a cylinder having the same centre line as the tap hole of a depth 0 mm to 5 mm from the lower plane of the tap hole	r	≥ 25
Clearance radius of a cylinder having the same centre line as the tap hole of a depth of min. 5 mm from the lower plane of the tap hole	r_1	≥ 30
Difference in level between r and r_1 for tool accessibility	x	≤ 5
Distance between the centre line of the tap hole and the nearest edge of the bowl for choice of tap	g_1	Shall be stated by the manufacturer