



# SLOVENSKI STANDARD SIST EN 748:2005

01-januar-2005

BUXca Yý U

SIST EN 748:1996 + A1:1998

---

CdfYa Uýdcfb] \ ] [ f]ý '!'Bc[ ca YtbUj fUJ!': i b\_VjcbUby]b'j UfbcglbYnU Hýj Y'Hyf  
dfYg\_i gbY'a YfcXY

Playing field equipment - Football goals - Functional and safety requirements, test methods

Spielfeldgeräte - Fußballtore - Funktionelle und sicherheitstechnische Anforderungen, Prüfverfahren

Equipements de jeux - Buts de football - Exigences fonctionnelles et de sécurité, méthodes d'essai

<https://standards.iteh.ai/catalog/standards/sist/2dd276e9-8fa8-4abd-ac49-c8442c7edf96/sist-en-748-2005>

Ta slovenski standard je istoveten z: EN 748:2004

---

## ICS:

97.220.40	Oprema za športe na prostem in vodne športe	Outdoor and water sports equipment
-----------	---	------------------------------------

SIST EN 748:2005

en,fr,de

**iTeh STANDARD PREVIEW**  
**(standards.iteh.ai)**

[SIST EN 748:2005](#)

<https://standards.iteh.ai/catalog/standards/sist/2dd276e9-8fa8-4abd-ac49-c8442c7edf96/sist-en-748-2005>

EUROPEAN STANDARD

EN 748

NORME EUROPÉENNE

EUROPÄISCHE NORM

September 2004

ICS

Supersedes EN 748:1995 + A1:1998

English version

## Playing field equipment - Football goals - Functional and safety requirements, test methods

Equipements de jeux - Buts de football - Exigences fonctionnelles et de sécurité, méthodes d'essai

Spielfeldgeräte - Fußballtore - Funktionelle und sicherheitstechnische Anforderungen, Prüfverfahren

This European Standard was approved by CEN on 24 June 2004.

CEN members are bound to comply with the CEN/CENELEC Internal Regulations which stipulate the conditions for giving this European Standard the status of a national standard without any alteration. Up-to-date lists and bibliographical references concerning such national standards may be obtained on application to the Central Secretariat or to any CEN member.

This European Standard exists in three official versions (English, French, German). A version in any other language made by translation under the responsibility of a CEN member into its own language and notified to the Central Secretariat has the same status as the official versions.

**iTeh STANDARD PREVIEW**

CEN members are the national standards bodies of Austria, Belgium, Cyprus, Czech Republic, Denmark, Estonia, Finland, France, Germany, Greece, Hungary, Iceland, Ireland, Italy, Latvia, Lithuania, Luxembourg, Malta, Netherlands, Norway, Poland, Portugal, Slovakia, Slovenia, Spain, Sweden, Switzerland and United Kingdom.

[SIST EN 748:2005](https://standards.iteh.ai/catalog/standards/sist/2dd276e9-8fa8-4abd-ac49-c8442c7edf96/sist-en-748-2005)

<https://standards.iteh.ai/catalog/standards/sist/2dd276e9-8fa8-4abd-ac49-c8442c7edf96/sist-en-748-2005>



EUROPEAN COMMITTEE FOR STANDARDIZATION  
COMITÉ EUROPÉEN DE NORMALISATION  
EUROPÄISCHES KOMITEE FÜR NORMUNG

Management Centre: rue de Stassart, 36 B-1050 Brussels

## Contents

Foreword.....	3
1 Scope .....	4
2 Normative references .....	4
3 Requirements for sizes 7,32 m × 2,44 m and 5,00 m × 2,00 m.....	4
3.1 Classification.....	4
3.2 Dimensions.....	4
3.3 Material .....	8
3.4 Design .....	9
3.4.1 Goal frame .....	9
3.4.2 Nets .....	9
3.4.3 Ground sockets.....	10
4 Safety requirements .....	10
4.1 General requirements.....	10
4.2 Goal frame .....	10
4.3 Strength .....	10
4.4 Stability .....	10
4.5 Net fixings.....	10
4.6 Frame entrapment.....	11
5 Test methods.....	11
5.1 General.....	11
5.2 Determination of strength.....	11
5.3 Determination of stability.....	11
5.3.1 Testing of Types 1 to 3.....	11
5.3.2 Stability test Type 4 .....	12
5.4 Strength test for net fixings.....	13
6 Assembly, installation and maintenance instruction.....	13
7 Warning label .....	14
8 Marking .....	14
Annex A (informative) Example of foundations .....	15
Annex B (informative) A-Deviation .....	16
Bibliography .....	17

STANDARD PREVIEW  
(standards.iteh.ai)

SIST EN 748:2005

<https://standards.iteh.ai/catalog/standards/sist/2dd276e9-8fa8-4abd-ac49-c8442c7cd9b6/sist-en-748-2005>

## Foreword

This document (EN 748:2004) has been prepared by Technical Committee CEN/TC 136 "Sports, playground and other recreational equipment", the secretariat of which is held by DIN.

This European Standard shall be given the status of a national standard, either by publication of an identical text or by endorsement, at the latest by March 2005, and conflicting national standards shall be withdrawn at the latest by March 2005.

On the comments resolution meeting of CEN/TC 136/WG 22 the German comment has been adopted to add a Type 4 "Freestanding football goal with counterweight" to EN 748, which is part of ÖNORM S 4700 "Football goals-Additional requirements to ÖNORM EN 748". The intention of CENTC 136/WG 22 behind this decision was to make ÖNORM S 4700 unnecessary, being a national standard not one to one related to European Standards.

Regarding the inclusion of a Type 4 France asked for an national deviation due to a French national regulation (decree n° 96-495 of June 4, 1996), see Annex ZB.

This document supersedes EN 748:1995 + A1:1998.

According to the CEN/CENELEC Internal Regulations, the national standards organizations of the following countries are bound to implement this European Standard: Austria, Belgium, Cyprus, Czech Republic, Denmark, Estonia, Finland, France, Germany, Greece, Hungary, Iceland, Ireland, Italy, Latvia, Lithuania, Luxembourg, Malta, Netherlands, Norway, Poland, Portugal, Slovakia, Slovenia, Spain, Sweden, Switzerland and United Kingdom.

## iTeh STANDARD PREVIEW (standards.iteh.ai)

[SIST EN 748:2005](#)

<https://standards.iteh.ai/catalog/standards/sist/2dd276e9-8fa8-4abd-ac49-c8442c7edf96/sist-en-748-2005>

## EN 748:2004 (E)

## 1 Scope

This document specifies the functional requirements for 4 types and 2 sizes (see Clause 3) and the safety requirements (see Clause 4) for football goals.

It is applicable to football goals for training and competition in outdoor sports facilities and indoor arenas.

## 2 Normative references

The following referenced documents are indispensable for the application of this document. For dated references, only the edition cited applies. For undated references, the latest edition of the referenced document (including any amendments) applies.

EN ISO 1806, *Fishing nets — Determination of mesh breaking force of netting (ISO 1806:2002)*

prEN ISO 2307, *Fibre ropes — Determination of certain physical and mechanical properties (ISO/DIS 2307:2003)*

## 3 Requirements for sizes 7,32 m × 2,44 m and 5,00 m × 2,00 m

### 3.1 Classification

Football goals shall be classified by the design (types and sizes) as shown in Table 1.

STANDARD PREVIEW  
(standardstitch.ai)

Table 1 Types

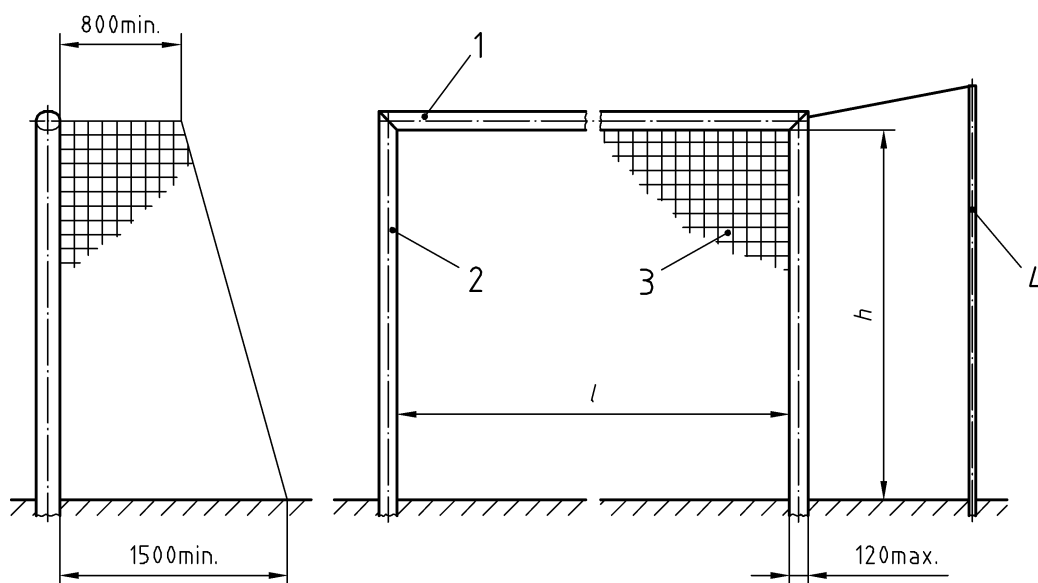
Dimensions in metres

Type	Size $l \times h$	Description
1	7,32 × 2,44 5,00 × 2,00	Football goal with free guy of the net and with ground sockets
2	7,32 × 2,44 5,00 × 2,00	Football goal with net supports and ground sockets
3	7,32 × 2,44 5,00 × 2,00	Freestanding football goal with ground fixings
4	7,32 × 2,44 5,00 × 2,00	Freestanding football goal with counterweight

### 3.2 Dimensions

Football goals shall comply with the dimensions shown in Table 2 and Figures 1 to 4.

Dimensions in millimetres



iTeh STANDARD PREVIEW  
(standards.iteh.ai)

SIST EN 748:2005

<https://standards.iteh.ai/catalog/standards/sist/21d276c9-5f58-4147-ac49-c8442c7edf96/sist-en-748-2005>

### Key

- 1 Crossbar
- 2 Upright
- 3 Net
- 4 Pole for net head line (example)
- 5 Net head line

NOTE Referring to key 4 "pole for net head line" requirements to the poles and its position depend on national regulation of free space for safety and to football federation.

Figure 1 — Football goal Type 1

Table 2 — Dimensions

Dimensions in millimetres

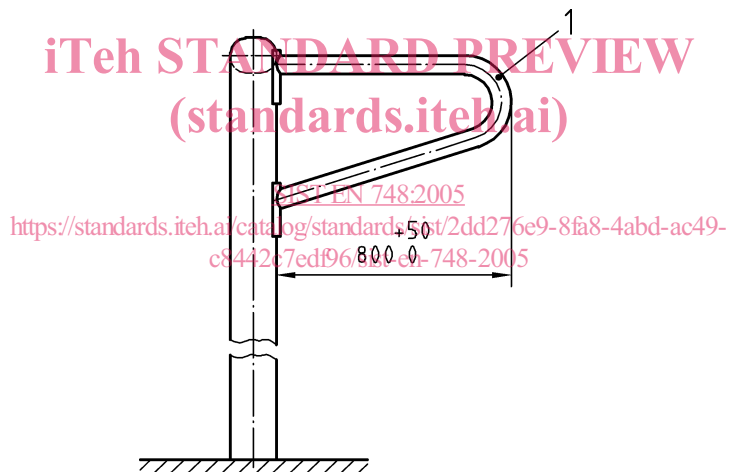
Size code	$l$	$h$
732 × 244	7 320 ± 8	2 440 ± 8
500 × 200	5 000 ± 8	2 000 ± 8

For an example for foundation see Annex A.

One football goal Type 1 consists of:

- the goal frame (2 uprights and 1 crossbar) including net fixings;
- the ground sockets;
- the net with net head line including means of contact with the ground;
- the poles with ground sockets.

Dimensions in millimetres

**Key**

1 Net supports

NOTE see 4.6

Figure 2 — Football goal Type 2

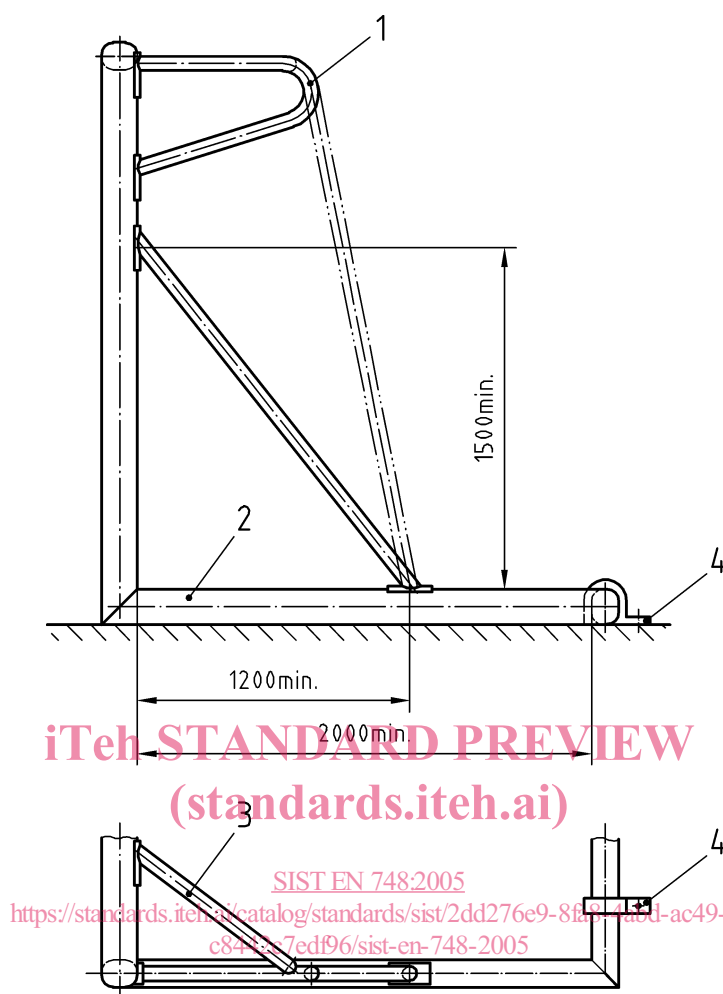
Other dimensions and specifications as Type 1.

One football goal Type 2 consists of:

- the goal frame (2 uprights and 1 crossbar) including net fixings and net supports;
- the ground sockets;
- the net with net head line including means of contact with the ground.



Dimensions in millimetres

**Key**

- 1 Net supports
- 2 Ground frame
- 3 Cross bracket
- 4 Ground fixings

**Figure 3 — Football goal Type 3**

Other dimensions and specifications as Type 1.

One football goal Type 3 consists of:

- the goal frame (2 uprights, 1 crossbar and the ground frame) including net fixings, net supports including cross bracket and ground fixings (at least one at each side);
- the net with net head line including means of contact with the ground.