



SLOVENSKI STANDARD SIST EN 3855:2004

01-maj-2004

Aerospace series - Pipe couplings, 60°, spherical in titanium alloy TI-P64001 - Caps

Aerospace series - Pipe couplings, 60°, spherical in titanium alloy TI-P64001 - Caps

Luft- und Raumfahrt - Rohrverschraubungen mit Kugelbuchsen, 60 ° ,aus Titanlegierung TI-P64001- Kugelstopfen

Série aérospatiale - Raccords sphériques, 60°, en alliage de titane TI-P64001 - Bouchons

iTeh STANDARD PREVIEW
(standards.iteh.ai)

[SIST EN 3855:2004](https://standards.iteh.ai/catalog/standards/sist/5ba72fcc-bd14-41be-8b09-2ba0c2bbceb3/sist-en-3855-2004)

Ta slovenski standard je istoveten z: EN 3855:2002

ICS:

49.080 Štepanje [|b\ ā Aerospace fluid systems and components
Čiaæ|ã } ā ā c\ ā ā |ã

SIST EN 3855:2004 en

iTeh STANDARD PREVIEW
(standards.iteh.ai)

[SIST EN 3855:2004](#)

<https://standards.iteh.ai/catalog/standards/sist/5ba72fee-bd14-41be-8b09-2ba0e2bbceb3/sist-en-3855-2004>

iTeh STANDARD PREVIEW
(standards.iteh.ai)

SIST EN 3855:2004

<https://standards.iteh.ai/catalog/standards/sist/5ba72fee-bd14-41be-8b09-2ba0e2bbceb3/sist-en-3855-2004>

iTeh STANDARD PREVIEW
(standards.iteh.ai)

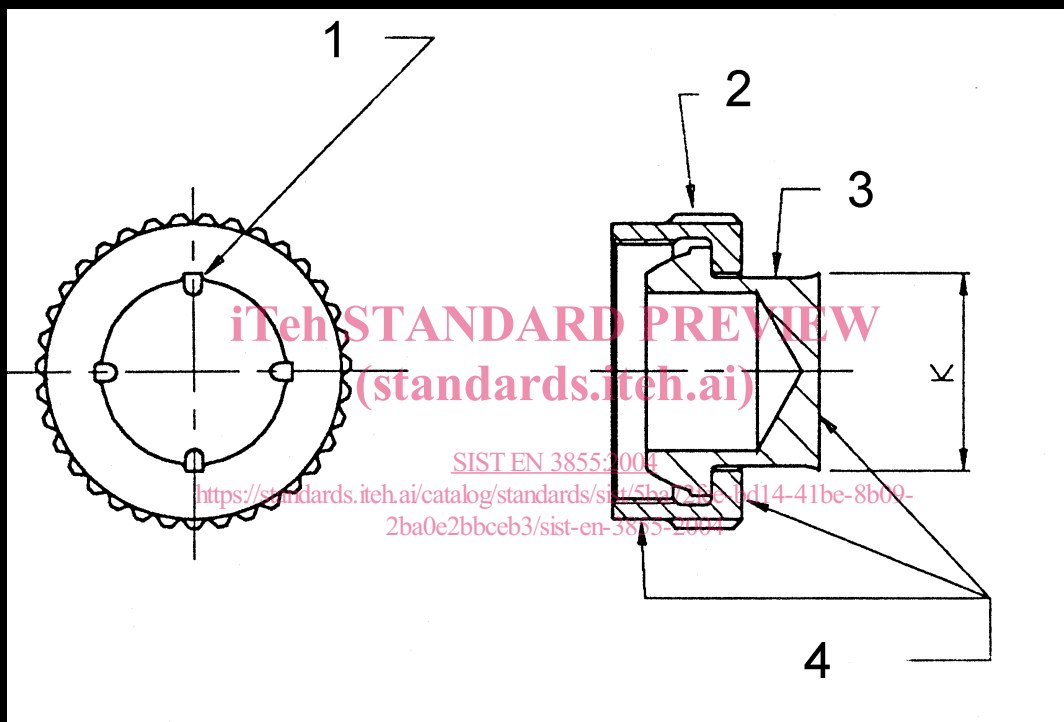
SIST EN 3855:2004

<https://standards.iteh.ai/catalog/standards/sist/5ba72fee-bd14-41be-8b09-2ba0e2bbceb3/sist-en-3855-2004>

iTeh STANDARD PREVIEW
(standards.iteh.ai)

SIST EN 3855:2004

<https://standards.iteh.ai/catalog/standards/sist/5ba72fee-bd14-41be-8b09-2ba0e2bbceb3/sist-en-3855-2004>



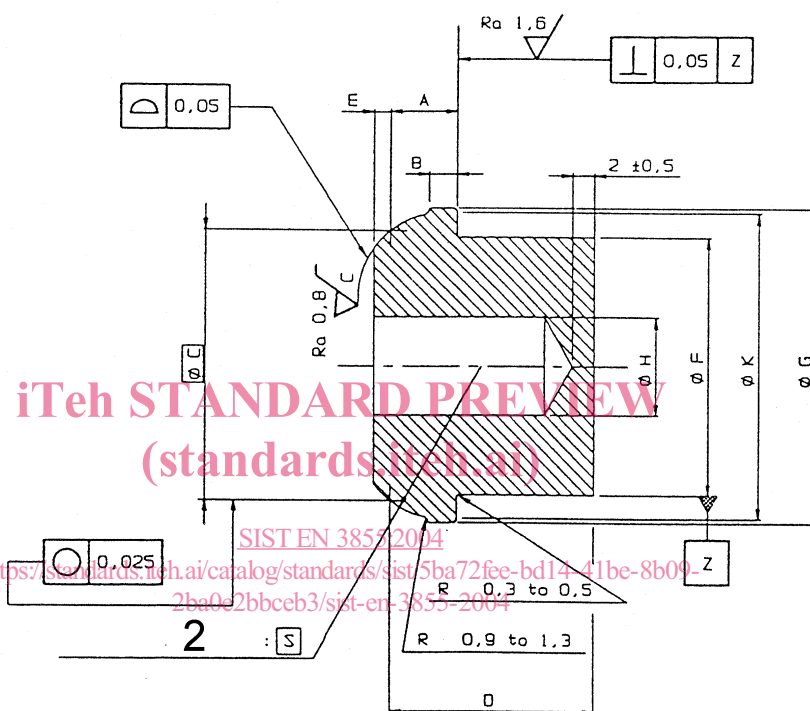
iTeh STANDARD PREVIEW
(standards.iteh.ai)

SIST EN 3855:2004

<https://standards.iteh.ai/catalog/standards/sist/5ba72fee-bd14-41be-8b09-2ba0e2bbceb3/sist-en-3855-2004>

Ra 3,2 / (Ra 1,6 / Ra 0,8 / c)

1



iTeh STANDARD PREVIEW
(standards.itteh.ai)

SIST EN 3855:2004
<https://standards.itteh.ai/catalog/standards/sist/5ba72fee-bd14-41be-8b09-2ba0e2bbceb3/sist-en-3855-2004>

iTeh STANDARD PREVIEW
(standards.iteh.ai)

SIST EN 3855:2004

<https://standards.iteh.ai/catalog/standards/sist/5ba72fee-bd14-41be-8b09-2ba0e2bbceb3/sist-en-3855-2004>