



**SLOVENSKI STANDARD**  
**SIST EN 4121:2004**

**01-maj-2004**

---

**Aerospace series - Shank nuts, serrated, self-locking , in heat resisting steel FE-PA92HT (A286), silver plated on thread - Classification: 1 100 MPa (at ambient temperature) / 650°C**

Aerospace series - Shank nuts, serrated, self-locking , in heat resisting steel FE-PA92HT (A286), silver plated on thread - Classification: 1 100 MPa (at ambient temperature) / 650°C

**iTeh STANDARD PREVIEW**  
**(standards.iteh.ai)**

[SIST EN 4121:2004](https://standards.iteh.ai/catalog/standards/sist/3bf7bd09-b16b-4cbb-afcb-f865da222706/sist-en-4121-2004)

<https://standards.iteh.ai/catalog/standards/sist/3bf7bd09-b16b-4cbb-afcb-f865da222706/sist-en-4121-2004>

**Ta slovenski standard je istoveten z: EN 4121:2003**

---

**ICS:**

49.030.30      Matice      Nuts

**SIST EN 4121:2004      en**

**iTeh STANDARD PREVIEW**  
**(standards.iteh.ai)**

[SIST EN 4121:2004](#)

<https://standards.iteh.ai/catalog/standards/sist/3bf7bd09-b16b-4cbb-afcb-f865da222706/sist-en-4121-2004>

**iTeh STANDARD PREVIEW**  
**(standards.iteh.ai)**

SIST EN 4121:2004

<https://standards.iteh.ai/catalog/standards/sist/3bf7bd09-b16b-4cbb-afcb-f865da222706/sist-en-4121-2004>

**iTeh STANDARD PREVIEW**  
**(standards.iteh.ai)**

SIST EN 4121:2004

<https://standards.iteh.ai/catalog/standards/sist/3bf7bd09-b16b-4cbb-afcb-f865da222706/sist-en-4121-2004>

**iTeh STANDARD PREVIEW**  
**(standards.iteh.ai)**

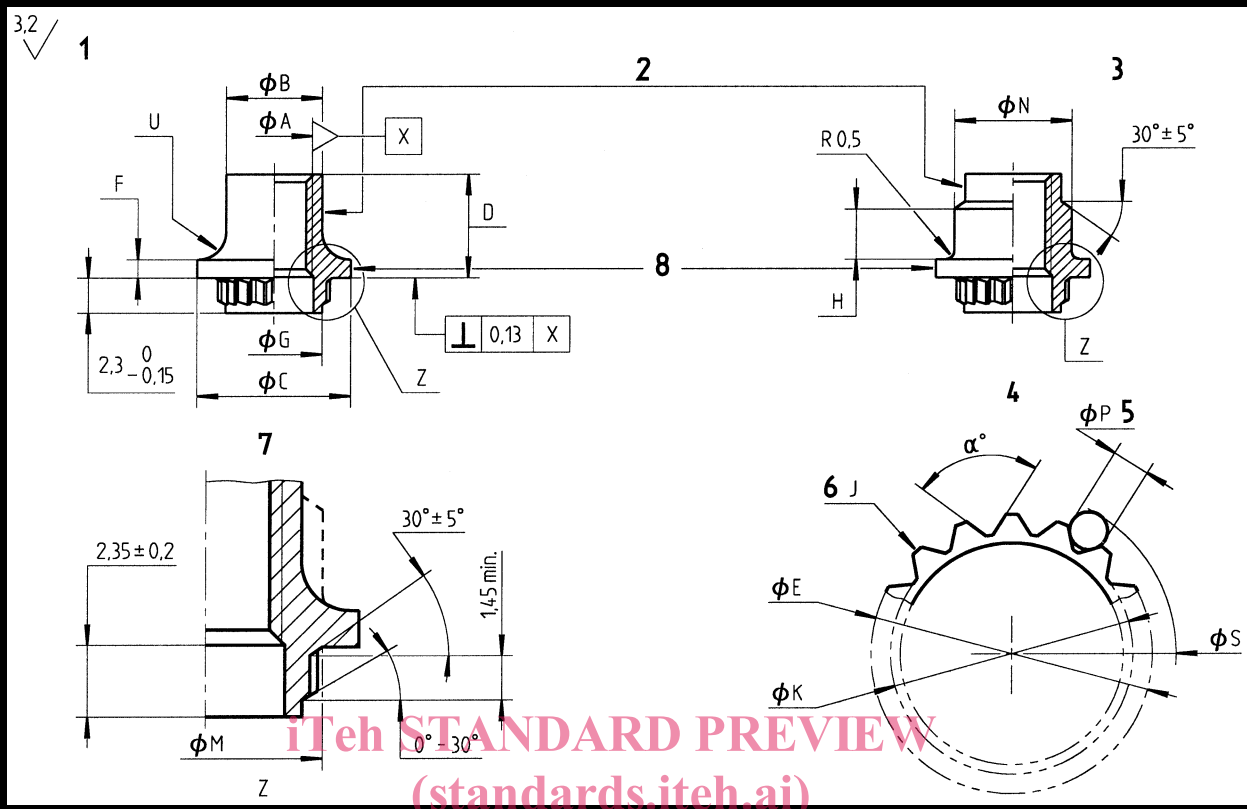
SIST EN 4121:2004

<https://standards.iteh.ai/catalog/standards/sist/3bf7bd09-b16b-4cbb-afcb-f865da222706/sist-en-4121-2004>

**iTeh STANDARD PREVIEW**  
**(standards.iteh.ai)**

SIST EN 4121:2004

<https://standards.iteh.ai/catalog/standards/sist/3bf7bd09-b16b-4cbb-afcb-f865da222706/sist-en-4121-2004>



STANDARD PREVIEW  
(standards.iteh.ai)

SIST EN 4121:2004

<https://standards.iteh.ai/catalog/standards/sist/3bf7bd09-b16b-4cbb-afcb-f865da222706/sist-en-4121-2004>

**iTeh STANDARD PREVIEW**  
**(standards.iteh.ai)**

SIST EN 4121:2004

<https://standards.iteh.ai/catalog/standards/sist/3bf7bd09-b16b-4cbb-afcb-f865da222706/sist-en-4121-2004>