



SLOVENSKI STANDARD

SIST EN 4122:2004

01-maj-2004

Aerospace series - Shank nuts, self-locking, in heat resisting steel FE-PA92HT (A286), silver plated on thread - Classification: 1 100 MPa (at ambient temperature) / 650°C

Aerospace series - Shank nuts, self-locking, in heat resisting steel FE-PA92HT (A286), silver plated on thread - Classification: 1 100MPa (at ambient temperature) / 650°C

iTeh STANDARD PREVIEW
(standards.iteh.ai)

[SIST EN 4122:2004](https://standards.iteh.ai/catalog/standards/sist/525377df-e096-4979-8f60-a0043c376276/sist-en-4122-2004)

Ta slovenski standard je istoveten z: **EN 4122:2003**

ICS:

49.030.30 Matice

Nuts

SIST EN 4122:2004

en

iTeh STANDARD PREVIEW
(standards.iteh.ai)

SIST EN 4122:2004

<https://standards.iteh.ai/catalog/standards/sist/525377df-e096-4979-8f60-a0b43e376276/sist-en-4122-2004>

iTeh STANDARD PREVIEW
(standards.iteh.ai)

SIST EN 4122:2004

<https://standards.iteh.ai/catalog/standards/sist/525377df-e096-4979-8f60-a0b43e376276/sist-en-4122-2004>

iTeh STANDARD PREVIEW
(standards.iteh.ai)

SIST EN 4122:2004

<https://standards.iteh.ai/catalog/standards/sist/525377df-e096-4979-8f60-a0b43e376276/sist-en-4122-2004>

iTeh STANDARD PREVIEW
(standards.iteh.ai)

SIST EN 4122:2004

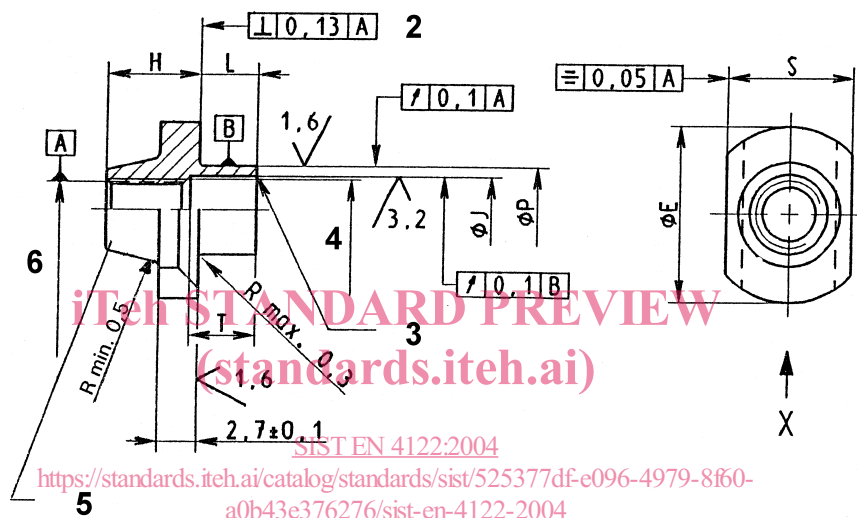
<https://standards.iteh.ai/catalog/standards/sist/525377df-e096-4979-8f60-a0b43e376276/sist-en-4122-2004>

iTeh STANDARD PREVIEW
(standards.iteh.ai)

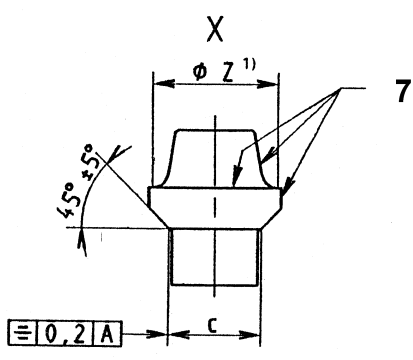
SIST EN 4122:2004

<https://standards.iteh.ai/catalog/standards/sist/525377df-e096-4979-8f60-a0b43e376276/sist-en-4122-2004>

6,3 $\sqrt{1,6 \sqrt{3,2}}$ 1



SIST EN 4122:2004
<https://standards.iteh.ai/catalog/standards/sist/525377df-e096-4979-8f60-a0b43e376276/sist-en-4122-2004>



8

iTeh STANDARD PREVIEW
(standards.iteh.ai)

SIST EN 4122:2004

<https://standards.iteh.ai/catalog/standards/sist/525377df-e096-4979-8f60-a0b43e376276/sist-en-4122-2004>