



**SLOVENSKI STANDARD**  
**SIST EN 4166:2004**

**01-maj-2004**

---

**Aerospace series - Clips, spring tension, three parts - PTFE bushes**

Aerospace series - Clips, spring tension, three parts - PTFE bushes

**iTeh STANDARD PREVIEW**  
**(standards.iteh.ai)**

**Ta slovenski standard je istoveten z: EN 4166:2003**

[SIST EN 4166:2004](https://standards.iteh.ai/catalog/standards/sist/8f2cc2ae-e873-449d-b116-829730dcd2aa2/sist-en-4166-2004)

<https://standards.iteh.ai/catalog/standards/sist/8f2cc2ae-e873-449d-b116-829730dcd2aa2/sist-en-4166-2004>

**ICS:**

49.080	Letalski in vesoljski hidravlični sistemi in deli	Aerospace fluid systems and components
--------	--	---

**SIST EN 4166:2004**

**en**

**iTeh STANDARD PREVIEW**  
**(standards.iteh.ai)**

[SIST EN 4166:2004](#)

<https://standards.iteh.ai/catalog/standards/sist/8f2cc2ae-e873-449d-b116-829730dcdaa2/sist-en-4166-2004>

EUROPEAN STANDARD

**EN 4166**

NORME EUROPÉENNE

EUROPÄISCHE NORM

January 2003

ICS 49.080

English version

**Aerospace series - Clips, spring tension, three parts - PTFE bushes**

This European Standard was approved by CEN on 2 June 2002.

CEN members are bound to comply with the CEN/CENELEC Internal Regulations which stipulate the conditions for giving this European Standard the status of a national standard without any alteration. Up-to-date lists and bibliographical references concerning such national standards may be obtained on application to the Management Centre or to any CEN member.

This European Standard exists in three official versions (English, French, German). A version in any other language made by translation under the responsibility of a CEN member into its own language and notified to the Management Centre has the same status as the official versions.

CEN members are the national standards bodies of Austria, Belgium, Czech Republic, Denmark, Finland, France, Germany, Greece, Hungary, Iceland, Ireland, Italy, Luxembourg, Malta, Netherlands, Norway, Portugal, Slovakia, Spain, Sweden, Switzerland and United Kingdom.

**iTeh STANDARD PREVIEW**  
(standards.iteh.ai)

SIST EN 4166:2004  
<https://standards.iteh.ai/catalog/standards/sist/8f2cc2ae-e873-449d-b116-829730dcd2aa2/sist-en-4166-2004>



EUROPEAN COMMITTEE FOR STANDARDIZATION  
COMITÉ EUROPÉEN DE NORMALISATION  
EUROPÄISCHES KOMITEE FÜR NORMUNG

**Management Centre: rue de Stassart, 36 B-1050 Brussels**

**iTeh STANDARD PREVIEW**  
**(standards.iteh.ai)**

SIST EN 4166:2004

<https://standards.iteh.ai/catalog/standards/sist/8f2cc2ae-e873-449d-b116-829730dcdaa2/sist-en-4166-2004>

**iTeh STANDARD PREVIEW**  
**(standards.iteh.ai)**

SIST EN 4166:2004

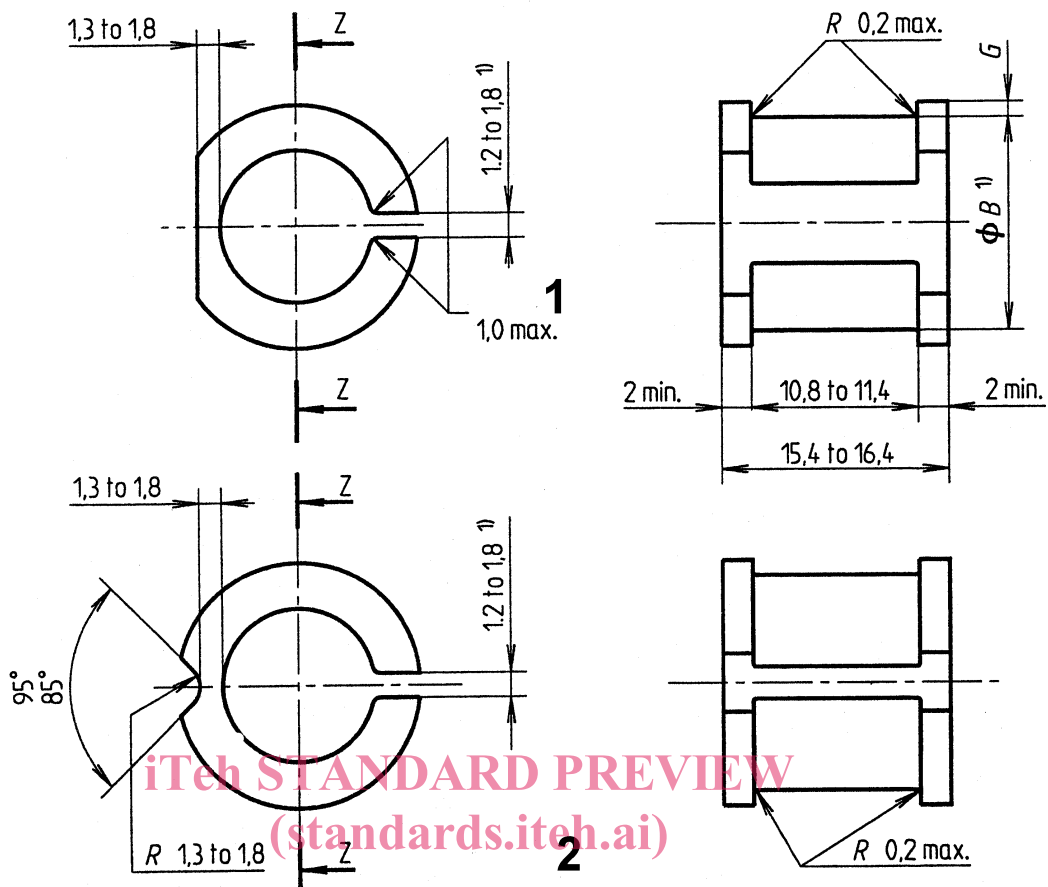
<https://standards.iteh.ai/catalog/standards/sist/8f2cc2ae-e873-449d-b116-829730dcdaa2/sist-en-4166-2004>

**iTeh STANDARD PREVIEW**  
**(standards.iteh.ai)**

SIST EN 4166:2004

<https://standards.iteh.ai/catalog/standards/sist/8f2cc2ae-e873-449d-b116-829730dcdaa2/sist-en-4166-2004>

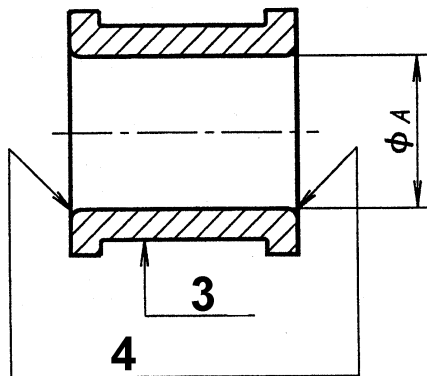
6.3



iTeh STANDARD PREVIEW  
(standards.iteh.ai)

SIST EN 4166:2004

<https://standards.iteh.ai/catalog/standards/sist/7827c2ae-e873-449d-b116-829730dcd2aa2/sist-en-4166-2004>



**iTeh STANDARD PREVIEW**  
**(standards.iteh.ai)**

SIST EN 4166:2004

<https://standards.iteh.ai/catalog/standards/sist/8f2cc2ae-e873-449d-b116-829730dcd2aa2/sist-en-4166-2004>