



**SLOVENSKI STANDARD**  
**SIST EN 4352:2004**

**01-maj-2004**

---

**Aerospace series - Bolts, double hexagon head with lockwire holes, relieved shank, long thread, in heat resisting nickel base alloy NI-PH 2601 (Inconel 718), MoS2 coated - Classification: 1 550 MPa (at ambient temperature) / 425°C**

Aerospace series - Bolts, double hexagon head with lockwire holes, relieved shank, long thread, in heat resisting nickel base alloy NI-PH 2601 (Inconel 718), MoS2 coated - Classification: 1 550 MPa (at ambient temperature) / 425°C

**iTeh STANDARD PREVIEW**  
**(standards.iteh.ai)**

[SIST EN 4352:2004](https://standards.iteh.ai/catalog/standards/sist/7d0ecfb4-e2e5-4a25-a1b1-ba04549d62de/sist-en-4352-2004)

<https://standards.iteh.ai/catalog/standards/sist/7d0ecfb4-e2e5-4a25-a1b1-ba04549d62de/sist-en-4352-2004>

**Ta slovenski standard je istoveten z: EN 4352:2003**

---

**ICS:**

49.030.20      Sorniki, vijaki, stebelni vijaki      Bolts, screws, studs

**SIST EN 4352:2004**

**en**

**iTeh STANDARD PREVIEW**  
**(standards.iteh.ai)**

[SIST EN 4352:2004](#)

<https://standards.iteh.ai/catalog/standards/sist/7d0ecfb4-e2e5-4a25-a1b1-ba04549d62de/sist-en-4352-2004>

**iTeh STANDARD PREVIEW**  
**(standards.iteh.ai)**

SIST EN 4352:2004

<https://standards.iteh.ai/catalog/standards/sist/7d0ecfb4-e2e5-4a25-a1b1-ba04549d62de/sist-en-4352-2004>

**iTeh STANDARD PREVIEW**  
**(standards.iteh.ai)**

SIST EN 4352:2004

<https://standards.iteh.ai/catalog/standards/sist/7d0ecfb4-e2e5-4a25-a1b1-ba04549d62de/sist-en-4352-2004>

**iTeh STANDARD PREVIEW**  
**(standards.iteh.ai)**

SIST EN 4352:2004

<https://standards.iteh.ai/catalog/standards/sist/7d0ecfb4-e2e5-4a25-a1b1-ba04549d62de/sist-en-4352-2004>

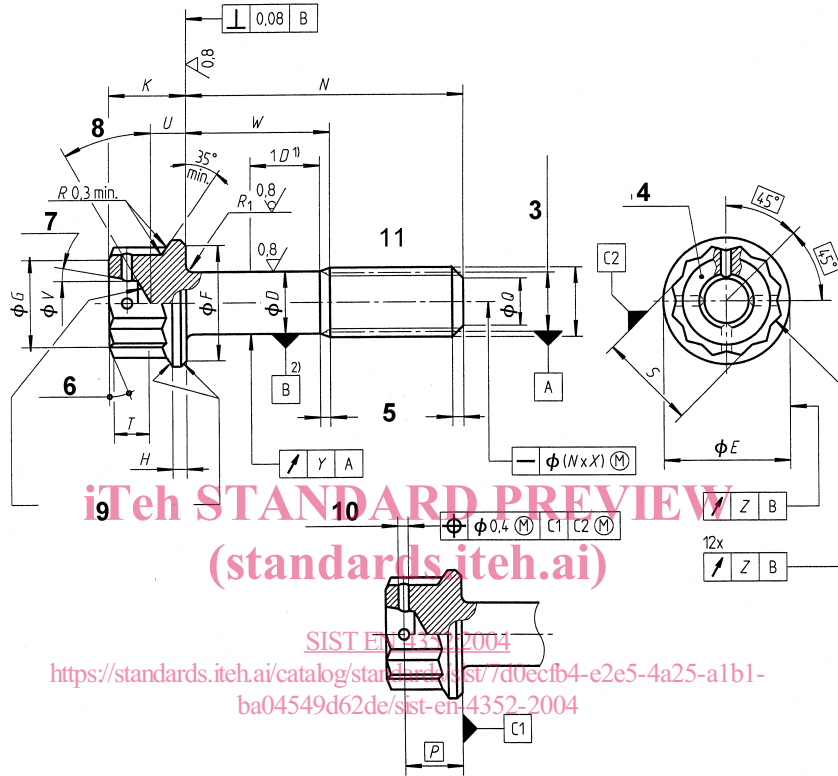
**iTeh STANDARD PREVIEW**  
**(standards.iteh.ai)**

SIST EN 4352:2004

<https://standards.iteh.ai/catalog/standards/sist/7d0ecfb4-e2e5-4a25-a1b1-ba04549d62de/sist-en-4352-2004>

3,2 [ 0,8 0,8 0,8 Rolled ] 1

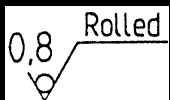
2



STANDARD PREVIEW  
(standards.iteh.ai)

SIST EN 4352:2004

<https://standards.iteh.ai/catalog/standards/sist/7d0ecfb4-e2e5-4a25-a1b1-ba04549d62de/sist-en-4352-2004>



**iTeh STANDARD PREVIEW**  
**(standards.iteh.ai)**

SIST EN 4352:2004

<https://standards.iteh.ai/catalog/standards/sist/7d0ecfb4-e2e5-4a25-a1b1-ba04549d62de/sist-en-4352-2004>



# **iTeh STANDARD PREVIEW** **(standards.iteh.ai)**

SIST EN 43522:2004

<https://standards.iteh.ai/catalog/standards/sist/7d0ecfb4-e2e5-4a25-a1b1-ba04549d62de/sist-cn-4352-2004>