



# SLOVENSKI STANDARD SIST EN 4550-2:2004

01-maj-2004

**Aerospace series - Pipe coupling, 37° - Design configuration - Inch series - Part 2: Port ends**

Aerospace series - Pipe coupling, 37° - Design configuration - Inch series - Part 2: Port ends

Luft- und Raumfahrt - Rohrverschraubung 37° - Konstruktionsblatt - Inch-Reihe - Teil 2: Einschraubenden

**ITeH STANDARD PREVIEW**  
**(standards.iteh.ai)**

[SIST EN 4550-2:2004](https://standards.iteh.ai/catalog/standards/sist/f3d87892-f0a3-42c4-8f81-41b1c885c385/sist-en-4550-2-2004)

Ta slovenski standard je istoveten z: **EN 4550-2:2003**

**ICS:**

49.080

Številni sistemi za prenos tekočin in plinov v letalstvu  
Člani in delci

Aerospace fluid systems and components

**SIST EN 4550-2:2004**

**en**

**iTeh STANDARD PREVIEW**  
**(standards.iteh.ai)**

[SIST EN 4550-2:2004](#)

<https://standards.iteh.ai/catalog/standards/sist/f3d87892-f0a3-42c4-8f81-41b1e885c385/sist-en-4550-2-2004>

**iTeh STANDARD PREVIEW**  
**(standards.iteh.ai)**

SIST EN 4550-2:2004

<https://standards.iteh.ai/catalog/standards/sist/f3d87892-f0a3-42c4-8f81-41b1e885c385/sist-en-4550-2-2004>

**iTeh STANDARD PREVIEW**  
**(standards.iteh.ai)**

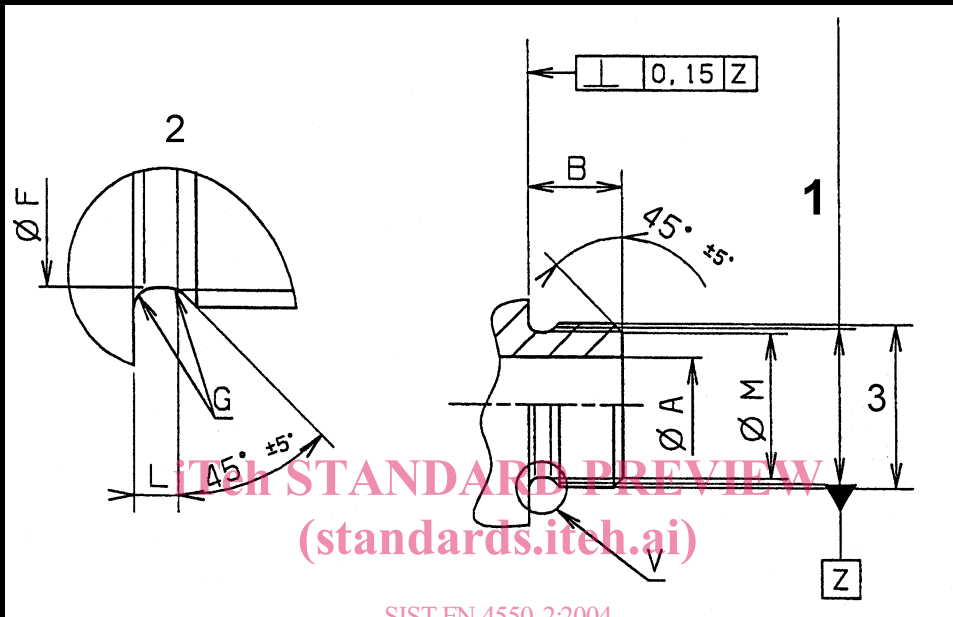
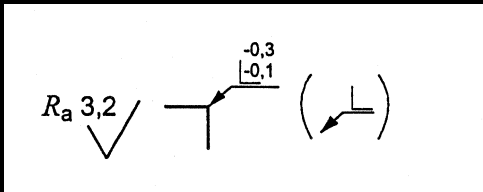
SIST EN 4550-2:2004

<https://standards.iteh.ai/catalog/standards/sist/f3d87892-f0a3-42c4-8f81-41b1e885c385/sist-en-4550-2-2004>

**iTeh STANDARD PREVIEW**  
**(standards.iteh.ai)**

SIST EN 4550-2:2004

<https://standards.iteh.ai/catalog/standards/sist/f3d87892-f0a3-42c4-8f81-41b1e885c385/sist-en-4550-2-2004>



SIST EN 4550-2:2004

<https://standards.iteh.ai/catalog/standards/sist/f3d87892-f0a3-42c4-8f81-41b1e885c385/sist-en-4550-2-2004>

**iTeh STANDARD PREVIEW**  
**(standards.iteh.ai)**

SIST EN 4550-2:2004

<https://standards.iteh.ai/catalog/standards/sist/f3d87892-f0a3-42c4-8f81-41b1e885c385/sist-en-4550-2-2004>