



SLOVENSKI STANDARD SIST EN 4550-3:2004

01-maj-2004

Aerospace series - Pipe coupling, 37° - Design configuration - Inch series - Part 3: Port connections

Aerospace series - Pipe coupling, 37° - Design configuration - Inch series - Part 3: Port connections

Luft- und Raumfahrt - Rohrverschraubung 37° - Konstruktionsblatt - Inch-Reihe - Teil 3: Einschraublöcher

ITeH STANDARD PREVIEW
(standards.iteh.ai)

[SIST EN 4550-3:2004](https://standards.iteh.ai/catalog/standards/sist/d25e770e-8fae-42a2-896a-17c951063ab8/sist-en-4550-3-2004)

Ta slovenski standard je istoveten z: **EN 4550-3:2003**

ICS:

49.080

Štandardi za tekočine in pline v letalstvu
Čističnice in delavnice za tekočine in pline

Aerospace fluid systems and components

SIST EN 4550-3:2004

en

iTeh STANDARD PREVIEW
(standards.iteh.ai)

[SIST EN 4550-3:2004](#)

<https://standards.iteh.ai/catalog/standards/sist/d25e770e-8fae-42a2-896a-17c95f0b3ab8/sist-en-4550-3-2004>

iTeh STANDARD PREVIEW
(standards.iteh.ai)

SIST EN 4550-3:2004

<https://standards.iteh.ai/catalog/standards/sist/d25e770e-8fac-42a2-896a-17c95f0b3ab8/sist-en-4550-3-2004>

iTeh STANDARD PREVIEW
(standards.iteh.ai)

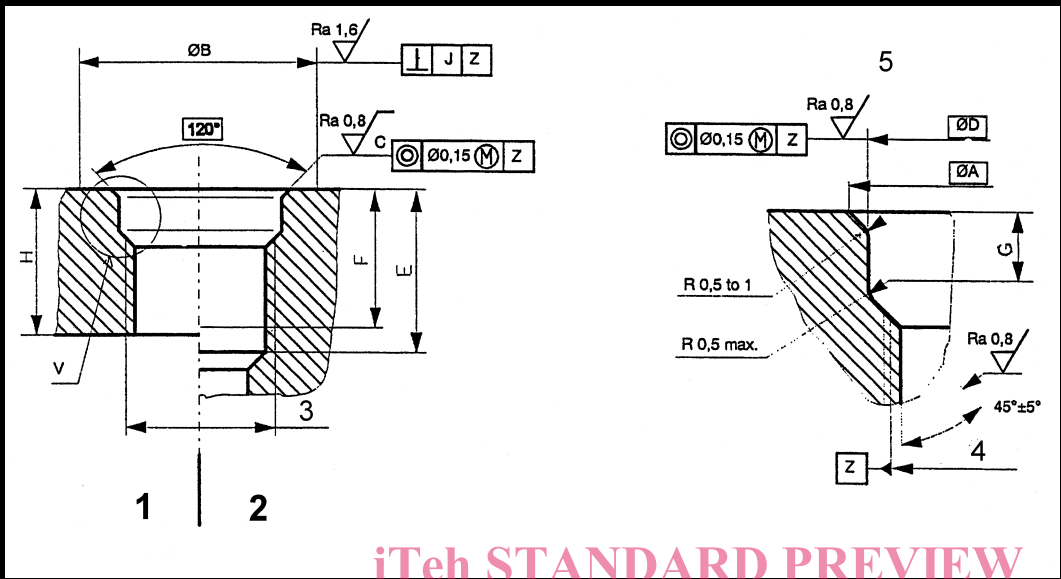
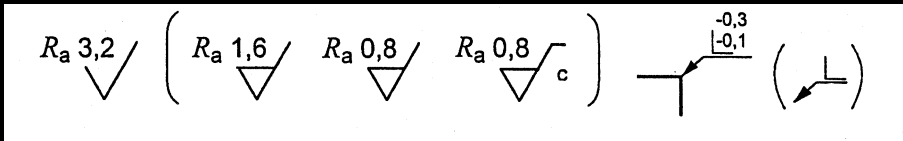
SIST EN 4550-3:2004

<https://standards.iteh.ai/catalog/standards/sist/d25e770e-8fac-42a2-896a-17c95f0b3ab8/sist-en-4550-3-2004>

iTeh STANDARD PREVIEW
(standards.iteh.ai)

SIST EN 4550-3:2004

<https://standards.iteh.ai/catalog/standards/sist/d25e770e-8fac-42a2-896a-17c95f0b3ab8/sist-en-4550-3-2004>



iTeh STANDARD PREVIEW
(standards.iteh.ai)

SIST EN 4550-3:2004

<https://standards.iteh.ai/catalog/standards/sist/d25e770e-8fac-42a2-896a-17c95f0b3ab8/sist-en-4550-3-2004>

iTeh STANDARD PREVIEW
(standards.iteh.ai)

SIST EN 4550-3:2004

<https://standards.iteh.ai/catalog/standards/sist/d25e770e-8fac-42a2-896a-17c95f0b3ab8/sist-en-4550-3-2004>