



Designation: G 85 – 02

## Standard Practice for Modified Salt Spray (Fog) Testing<sup>1</sup>

This standard is issued under the fixed designation G 85; the number immediately following the designation indicates the year of original adoption or, in the case of revision, the year of last revision. A number in parentheses indicates the year of last reapproval. A superscript epsilon ( $\epsilon$ ) indicates an editorial change since the last revision or reapproval.

*This standard has been approved for use by agencies of the Department of Defense.*

### 1. Scope

1.1 This practice sets forth conditions for five modifications in salt spray (fog) testing for specification purposes. These are in chronological order of their development:

- 1.1.1 *Annex A1*, acetic acid-salt spray test, continuous.
- 1.1.2 *Annex A2*, cyclic acidified salt spray test.
- 1.1.3 *Annex A3*, seawater acidified test, cyclic (SWAAT).
- 1.1.4 *Annex A4*, SO<sub>2</sub> salt spray test, cyclic.
- 1.1.5 *Annex A5*, dilute electrolyte cyclic fog dry test.

1.2 This practice does not prescribe the type of modification, test specimen or exposure periods to be used for a specific product, nor the interpretation to be given to the results.

1.3 *This standard does not purport to address all of the safety concerns, if any, associated with its use. It is the responsibility of the user of this standard to consult and establish appropriate safety and health practices and determine the applicability of regulatory limitations prior to use.*

### 2. Referenced Documents

#### 2.1 ASTM Standards:

- B 117 Practice for Operating Salt Spray (Fog) Apparatus<sup>2</sup>
- D 609 Practice for Preparation of Cold-Rolled Steel Panels for Testing Paint, Varnish, Conversion Coatings, and Related Coating Products<sup>3</sup>
- D 1141 Practice for the Preparation of Substitute Ocean Water<sup>4</sup>
- D 1193 Specification for Reagent Water<sup>5</sup>
- D 1654 Test Method for Evaluation of Painted or Coated Specimens Subjected to Corrosive Environments<sup>3</sup>
- E 70 Test Method for pH of Aqueous Solutions with the Glass Electrode<sup>6</sup>

<sup>1</sup> This practice is under the jurisdiction of ASTM Committee G01 on Corrosion of Metals and is the direct responsibility of Subcommittee G01.05 on Laboratory Corrosion Tests.

Current edition approved October 10, 2002. Published February 2003. Originally approved in 1985. Last previous edition approved in 1998 as G 85 – 98.

<sup>2</sup> *Annual Book of ASTM Standards*, Vol 03.02.

<sup>3</sup> *Annual Book of ASTM Standards*, Vol 06.01.

<sup>4</sup> *Annual Book of ASTM Standards*, Vol 11.02.

<sup>5</sup> *Annual Book of ASTM Standards*, Vol 11.01.

<sup>6</sup> *Annual Book of ASTM Standards*, Vol 15.05.

### 3. Significance and Use

3.1 This practice is applicable to ferrous and nonferrous metals; also organic and inorganic coatings. The variations described herein are useful when a different or more corrosive environment than the salt fog described in Practice B 117 is desired.

### 4. Apparatus

#### 4.1 Cabinet:

4.1.1 The apparatus required for salt spray (fog) testing consists of a fog chamber, a salt solution reservoir, a supply of suitably conditioned compressed air, one or more atomizing nozzles, specimen supports, provision for heating the chamber, and necessary means of control. The size and detailed construction of the cabinet are optional, provided the conditions obtained meet the requirements of this practice. The material of construction shall be such that it will not affect the corrosiveness of the fog. Suitable apparatus that may be used to obtain these conditions is described in Appendix A1 of Practice B 117 with necessary modifications described in each annex.

4.1.2 Design the cabinet so that drops of solution that accumulate on the ceiling or cover of the chamber do not fall on the specimens being tested. Do not return drops of solution that fall from the specimens to the solution reservoir for respraying.

4.1.3 Equip the cabinet with one or more timing devices to provide for intermittent spraying or periodic introduction of a gas, or both.

#### 4.2 Air Supply:

4.2.1 Make sure the compressed air supply to the nozzle or nozzles for atomizing the salt solution is free of oil and dirt and maintain the air supply between 69 and 172 kPa (10 and 25 psi).

NOTE 1—The air supply may be freed of oil and dirt by passing it through a water scrubber or at least 610 mm (2 ft) of suitable cleaning material such as asbestos, sheep's wool, or activated alumina.

4.2.2 Temperature in the saturator tower (bubble tower) varies depending on the test method used.

#### 4.3 Conditions in Salt-Spray Chamber:

4.3.1 *Temperature*—The temperature in the exposure zone varies with the test method used. For recommended exposure zone temperatures for the various methods see the Annex. Each set point and its tolerance represents an operational control point for equilibrium conditions at a single location in the cabinet which may not necessarily represent the uniformity of conditions throughout the cabinet. Record the temperature within the exposure zone of the closed cabinet at least twice a day at least 7 h apart (except on weekends and holidays, when the salt spray test is not interrupted for exposing, rearranging, or removing test specimens or to check and replenish the solution in the reservoir).

NOTE 2—Suitable methods to record the temperature are a continuous recording device or a thermometer which can be read from outside the closed cabinet. Obtain the recorded temperature with the salt spray chamber closed to avoid a false low reading because of wet-bulb effect when the chamber is open.

4.3.2 *Atomization and Quantity of Fog*—Place at least two clean fog collectors within the exposure zone so that no drops of solution from the test specimens or any other source can be collected. Position the collectors in the proximity of the test specimens, one nearest to any nozzle and the other farthest from all nozzles. Make sure that for each 80 cm<sup>2</sup> of horizontal-collecting area fog accumulates in each collector from 1.0 to 2.0 mL of solution per hour based on an average run of at least 16 h continuous spray.

NOTE 3—Suitable collecting devices are glass funnels with the stems inserted through stoppers into graduated cylinders or crystallizing dishes. Funnels and dishes with a diameter of 100 mm have an area of about 80 cm<sup>2</sup>.

4.3.3 Direct or baffle the nozzle or nozzles so that none of the spray can impinge directly on the test specimens.

## 5. Test Specimens

5.1 Define the type and number of test specimens to be used, as well as the criteria for the evaluation of the test results in the specifications covering the material or product being tested or upon mutual agreement between the purchaser and the seller.

### 5.2 *Preparation of Test Specimens:*

5.2.1 Clean metallic and metallic-coated specimens. The cleaning method is optional depending on the nature of the surface and the contaminants; however, when using a cleaning method do not include in the contents abrasives other than a paste of pure magnesium oxide nor of solvents which may form corrosive or inhibitive films. The use of nitric acid solution for the chemical cleaning, or passivation, of stainless steel specimens is permissible when agreed upon between the purchaser and the seller. Take care that specimens are not recontaminated after cleaning by excessive or careless handling.

5.2.2 Prepare specimens for evaluation of paints and other organic coatings in accordance with applicable specification(s) for the material(s) being tested, or as agreed upon between the purchaser and supplier. Otherwise, make sure the test specimens consist of steel meeting the requirements of Practice D 609; clean and prepare the specimens for coating in accordance with applicable procedure of Practice D 609.

5.2.3 Whenever it is desired to determine the development of corrosion from an abraded area in the paint or organic coating, make a scratch or scribed line through the coating with a sharp instrument so that the underlying metal is exposed before testing. Use the conditions of making the scratch as defined in Test Method D 1654, unless otherwise agreed upon between the purchaser and seller.

5.2.4 Protect the cut edges of plated, coated, or duplex materials and areas that contain identification marks or that are in contact with the racks or supports with a suitable coating that is stable under the conditions of the test, such as ceresin wax, unless otherwise specified.

NOTE 4—Should it be desirable to cut test specimens from parts or from preplated, painted, or otherwise coated-steel sheet, protect the cut edges by coating them with paint, wax, tape, or other effective media so that the development of preferential attack or a galvanic effect between such edges and the adjacent plated or otherwise coated-metal surfaces, is prevented.

## 6. Salt Solutions

6.1 Make the salt solutions by using either synthetic sea salt in accordance with Practice D 1141 or sodium chloride in accordance with Practice B 117, unless otherwise specified in the appropriate annex. Make-up water shall be distilled or deionized water conforming to Type IV water in Specification D 1193 (except that for this practice, limits for chlorides and sodium may be ignored).

### 6.2 *Synthetic Sea Salt Solution:*

6.2.1 Make the salt solution so that it consists of 42 g of synthetic sea salt in accordance with Practice D 1141 per litre of solution (see Note 5).

### 6.3 *Sodium Chloride Solution:*

6.3.1 Prepare the salt solution by dissolving  $5 \pm 1$  parts by weight of sodium chloride in 95 parts of distilled water or water containing not more than 200 ppm of total solids (see Note 5). The sodium chloride shall be substantially free of nickel and copper and shall contain on the dry basis not more than 0.1 % of sodium iodide and not more than 0.3 % of total impurities. Some salts contain additives that may act as corrosion inhibitors; careful attention should be given to the chemical content of the salt. Upon agreement between purchaser and seller, analysis may be required and limits established for elements or compounds not specified in the chemical composition given above.

NOTE 5—A solution having a specific gravity of 1.0255 to 1.0400 at 25°C (77°F) will meet the concentration requirement of 6.2.1 and 6.3.1. It is suggested that a daily check be made.

6.4 The pH of the salt solutions will vary depending on the test method used. Before the solution is atomized, free it of suspended solids (see Note 6). Take the pH measurements electrometrically at 25°C (77°F) using a glass electrode with a saturated potassium chloride bridge in accordance with Test Method E 70.

NOTE 6—The freshly prepared salt solution may be filtered or decanted before it is placed in the reservoir, or the end of the tube leading from the solution to the atomizer may be covered with a double layer of cheesecloth or suitable nonmetallic filter cloth to prevent plugging of the nozzle.

## 7. Procedure

### 7.1 *Position of Specimens During Test:*

 **G 85 – 02**

7.1.1 Unless otherwise specified, support or suspend the specimens between 6 and 45° from the vertical, and preferably parallel to the principal direction of horizontal flow of fog through the chamber, based upon the dominant surface being tested. Note that test severity increases as angle from the vertical increases.

7.1.2 Do not allow contact of the specimens between each other, between any metallic material, or between any material capable of acting as a wick.

7.1.3 Place each specimen so as to permit free settling of fog on all specimens. A minimum spacing between specimens of 30 mm is recommended.

7.1.4 Do not permit the salt solution from one specimen to drip on any other specimen.

7.1.5 It is recommended that placement of replicate specimens be randomized to avoid possible bias caused by difference in spray patterns. Individual specimens may also be rotated daily for the same reason.

7.1.6 Suitable materials for the construction or coating of racks and supports are glass, rubber, plastic, or suitably coated wood. Do not use bare metal. Support specimens preferably from the bottom or the side. Slotted wooden, laminated plastic, or inert plastic strips are suitable for the support of flat panels. Suspension from glass hooks or waxed string may be used as long as the specified position of the specimens is obtained, and, if necessary, by means of secondary support at the bottom of the specimens.

*7.2 Continuity of Test:*

7.2.1 Unless otherwise specified, in the specifications covering the material or product being tested, allow the test to be continuous for the duration of the entire test period. Continuous operation implies that the chamber be closed except for the short daily interruptions necessary to inspect, rearrange, or remove test specimens, and to check and replenish the solution in the reservoir. Schedule operations so that these interruptions are held to a minimum.

*7.3 Period of Test:*

7.3.1 Designate the period of test in accordance with the specifications covering the material or product being tested or as mutually agreed upon between the purchaser and the seller. Exposure periods of multiples of 24 h are suggested.

*7.4 Cleaning of Tested Specimens:*

7.4.1 Unless otherwise specified in the specifications covering the material or product being tested, at the end of the test, specimens may be gently washed or dipped in clean running

water no warmer than 38°C (100°F) to remove salt deposits from their surface, and then immediately dried. Dry with a stream of clean, compressed air.

NOTE 7—Drying with compressed air may not be desirable for aluminum specimens to be tested for exfoliation corrosion resistance.

**8. Evaluation of Results**

8.1 Make a careful and immediate examination for the extent of corrosion of the dry test specimens or for other failure as required by the specifications covering the material or product being tested or by agreement between the purchaser and the seller.

**9. Report**

9.1 Record the following information, unless otherwise prescribed in the specifications covering the material or product being tested:

9.1.1 Type of salt and water used in preparing the salt solution,

9.1.2 All readings of temperature within the exposure zone of the chamber,

9.1.3 Weekly records of data obtained from each fog-collecting device including the following:

9.1.3.1 Volume of salt solution collected in millilitres per hour per 80 cm<sup>2</sup>,

9.1.3.2 Concentration or specific gravity at 35°C (95°F) of solution collected, (see Note 8), and

9.1.3.3 pH of collected solution,

9.1.4 Type of specimen and its dimensions, or number or description of part,

9.1.5 Method of cleaning specimens before and after testing,

9.1.6 Method of supporting or suspending article in the salt spray chamber,

9.1.7 Description of protection used as required in 5.2.5,

9.1.8 Exposure period,

9.1.9 Interruptions in test, cause and length of time, and

9.1.10 Results of all inspections.

NOTE 8—It is also advisable to record the concentration or specific gravity of any atomized salt solution that has not made contact with the test specimen and that was returned to the reservoir.

**10. Keywords**

10.1 acidic salt spray; corrosion; salt spray



## ANNEXES

### (Mandatory Information)

#### A1. ACETIC ACID-SALT SPRAY (FOG) TESTING

##### A1.1 *Salt Solution:*

A1.1.1 A sodium chloride solution made in accordance with 6.3.

A1.1.2 Adjust the pH of this solution measured in accordance with Test Method E 70 to range from 3.1 to 3.3 by the addition of acetic acid.

NOTE A1.1—The initial solution may be adjusted to pH of 3.0 to 3.1 with the expectation that the pH of the collected fog will be within the specified limits. Base the adjustment of the initial pH for make-up solution upon the requirements to maintain the required pH of the collected samples. If less than 0.1 or more than 0.3 % of the glacial acetic acid is required to attain the specified pH, the purity of the water or salt, or both may not be satisfactory.

##### A1.2 *Conditions in Saturator Tower:*

A1.2.1 Make sure the temperature in the saturator tower (bubble tower) is  $47 \pm 1^\circ\text{C}$  ( $117 \pm 2^\circ\text{F}$ ).

##### A1.3 *Conditions in the Salt Spray Chamber:*

A1.3.1 *Temperature*—Maintain the exposure zone of the acetic acid-salt spray fog chamber at  $35 + 1.1$  or  $-1.7^\circ\text{C}$  ( $95 + 2$  or  $-3^\circ\text{F}$ ). Each set point and its tolerance represents an operational control point for equilibrium conditions at a single location in the cabinet which may not necessarily represent the uniformity of conditions throughout the cabinet.

NOTE A1.2—This test is particularly applicable to research studies that have the effect of altering parameters of the electroplating process in connection with decorative chromium plating on steel or zinc die-cast base as well as for the evaluation of the quality of the product. This is true because of the normal duration of the test, which may be as brief as 16 h, but normally runs for 144 to 240 h or more giving ample opportunity for observations at practical intervals of the effects of minor parameter changes.

#### A2. CYCLIC ACIDIFIED SALT FOG TESTING

##### A2.1 *Salt Solution:*

A2.1.1 Use a sodium chloride solution made in accordance with 6.3.

A2.1.2 Adjust the pH of this solution to range from 2.8 to 3.0 by the addition of acetic acid.

##### A2.2 *Conditions in Saturator Tower:*

A2.2.1 Make sure the temperature in the saturator tower (bubble tower) is  $57 \pm 1^\circ\text{C}$  ( $135 \pm 2^\circ\text{F}$ ).

##### A2.3 *Conditions in Salt-Spray Chamber:*

A2.3.1 *Temperature*—Maintain the temperature in the exposure zone of the salt spray chamber at  $49 + 1.1$  or  $-1.7^\circ\text{C}$  ( $120^\circ\text{F} + 2$  or  $-3^\circ\text{F}$ ).

A2.3.2 *Humidity*—Although the humidity limits for optimum test conditions have not been determined, operate the salt spray chamber under wet bottom conditions (that is, make sure an inch or so of water is present in the bottom of the box) for most testing. This ensures that the interior of the box does not become dry, a condition that decreases corrosion rate. (The dry bottom is recommended, however, for testing 2000-series aluminum alloys and paint coatings that require a less aggressive environment.)<sup>7</sup>

A2.3.3 *Cabinet*—Equip the chamber with a timing device that can be used for the following 6-h repetitive cycles:  $\frac{3}{4}$ -h spray; 2-h dry-air purge; and  $3\frac{1}{4}$ -h soak at high relative humidity.

A2.3.4 *Purge*—Purging of the fog atmosphere immediately after spraying is the most unique feature of this test. Dry all droplets of water on the specimens and dry the corrosion products so that they are of a white, rather than a damp gray appearance. Perform this by electrically switching the air-flow to by-pass the saturator tower and aspirator nozzle and allowing it to enter directly into the test chamber for 120 min at an angle that sweeps the fog out of the peaked lid of the cabinet. This reduces the relative humidity from 40 to 7 %, depending on the climatic conditions of the ambient air. After purging, the specimens remain in the closed cabinet until the next spray cycle. Since most testing requires a wet bottom, the humidity gradually increases from 65 to 95 % during this period.

A2.3.5 *Atomization and Quantity of Fog*—Collect the fog in a special continuous spray run periodically between test runs. Determine the proper consumption of solution by monitoring solution level in the glass reservoir.

<sup>7</sup> Personal communication, Alcoa Technical Center, New Kensington, PA.

### A3. ACIDIFIED SYNTHETIC SEA WATER (FOG) TESTING

#### A3.1 Salt Solution:

A3.1.1 Use a synthetic sea salt solution made in accordance with 6.2 with the addition of 10 mL of glacial acetic acid per litre of solution.

A3.1.2 Adjust the pH of the salt solution between 2.8 and 3.0.

A3.2 *Conditions in Saturator Tower*—Make sure the temperature in the saturator tower (bubble tower) is  $47 \pm 1^\circ\text{C}$  ( $117 \pm 2^\circ\text{F}$ ) if cabinet temperature is  $35^\circ\text{C}$  ( $95^\circ\text{F}$ ); and  $57 \pm 1^\circ\text{C}$  ( $135 \pm 2^\circ\text{F}$ ) if cabinet temperature is  $49^\circ\text{C}$  ( $120^\circ\text{F}$ ).

#### A3.3 Conditions in Salt Spray Chamber:

A3.3.1 *Temperature*—The temperature in the exposure zone of the salt spray chamber may vary to suit the material being tested. The specifications that cover the material or product being tested define the temperature or the temperature may be mutually agreed upon between the purchaser and the seller. See Note A3.1 for recommended exposure zone temperatures for some materials.

NOTE A3.1—This test is particularly applicable to production control of exfoliation-resistant heat treatments for the 2000, 5000, and 7000-series aluminum alloys.<sup>8</sup> It is also applicable to developmental studies of varying heat treatment parameters to determine effect on corrosion behavior. For this purpose, a temperature of  $49^\circ\text{C}$  ( $120^\circ\text{F}$ ) is recommended for the exposure zone. For testing organic coatings on various metallic substrates, an exposure zone temperature of 24 to  $35^\circ\text{C}$  ( $75$  to  $95^\circ\text{F}$ ) may be used since temperatures in excess of  $35^\circ\text{C}$  frequently result in paint blistering.

A3.3.2 *Humidity*—Although the humidity limits for optimum test conditions have not been determined, results of an interlaboratory testing program indicate that it is necessary to operate under wet bottom conditions (that is, an inch or so of water should always be present in the bottom of the box). This ensures that the interior of the box does not become dry, a condition that will decrease the corrosion rate.

A3.3.3 *Cabinet*—Equip the cabinet with a timing device that can be used for the following cycle: 30-min spray followed by 90-min soak at above 98 % relative humidity.

<sup>8</sup> Ketcham, S. J., and Jeffrey, P. W., "Localized Corrosion-Cause of Metal Failure," *ASTM STP 516*, ASTM, 1973, pp. 273–302.

### A4. SALT/SO<sub>2</sub> SPRAY (FOG) TESTING

A4.1 This test consists of spraying salt fog with introduction of SO<sub>2</sub> gas directly into the chamber periodically.

#### A4.2 Salt Solution:

A4.2.1 Define the salt solution by using the specifications covering the material or product being tested or upon mutual agreement between the purchaser and the seller.

A4.2.2 If synthetic sea salt is specified, prepare it in accordance with 6.2.

A4.2.3 If sodium chloride is specified, prepare it in accordance with 6.3.

#### A4.3 Conditions in Saturator Tower:

A4.3.1 Make sure the temperature in the saturator tower (bubble tower) is  $47 \pm 1^\circ\text{C}$  ( $117 \pm 2^\circ\text{F}$ ).

#### A4.4 Conditions in the Salt Spray Chamber:

A4.4.1 *Temperature*—Maintain the exposure zone of the salt spray chamber at  $35 + 1.1, - 1.7^\circ\text{C}$  ( $95 + 2, - 3^\circ\text{F}$ ).

A4.4.2 *SO<sub>2</sub> Gas*—Equipment and materials required for addition of SO<sub>2</sub> to cabinet are as follows:

A4.4.2.1 Cylinder of SO<sub>2</sub> gas.

A4.4.2.2 Flowmeter capable of measuring SO<sub>2</sub> gas flow of  $1 \text{ cm}^3/\text{min}\cdot\text{ft}^3$  of cabinet volume ( $35 \text{ cm}^3/\text{min}\cdot\text{m}^3$ ); also constructed of materials inert to SO<sub>2</sub> gas.

A4.4.2.3 Timer.

A4.4.2.4 Two-way solenoid valve fabricated of materials inert to SO<sub>2</sub> gas.

A4.4.2.5 Tubing and fittings for SO<sub>2</sub> line of materials inert to SO<sub>2</sub> gas. A schematic of the SO<sub>2</sub> line is shown in Fig. A4.1.

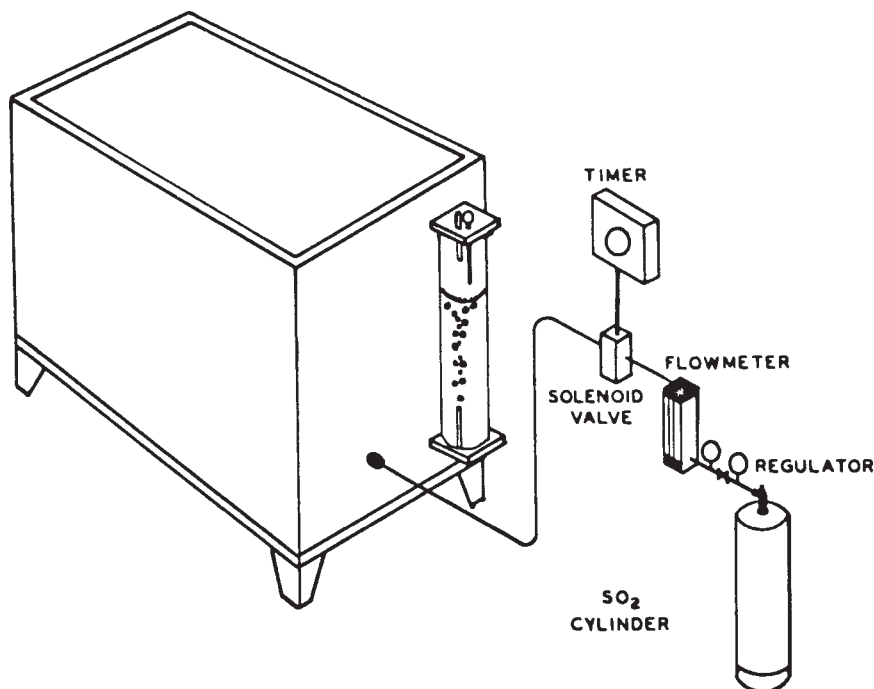
NOTE A4.1—It is highly desirable to have the SO<sub>2</sub> gas introduced into the chamber in such a way that a uniform dispersion throughout the interior will result. If the cabinet is equipped with a central dispersion tower, holes can be drilled in the poly(methyl methacrylate) (PMMA) baffle at the top of the tower so that the gas comes out of eight uniformly spaced ports. There are undoubtedly other means for accomplishing a uniform dispersion of the gas. However, avoid introducing the gas into the chamber through one or two tubes at the side.

A4.4.3 The pH of the collected solution range from 2.5 to 3.2.

A4.4.4 *Cycle*—Define the cycle to be used by using the specifications covering the material or product being tested or upon mutual agreement between the purchaser and the seller. Examples of some possible cycles are as follows:

A4.4.4.1 Constant spray with introduction of SO<sub>2</sub> gas for 1 h  $4 \times$  a day (every 6 h).

A4.4.4.2 ½-h salt spray, ½-h SO<sub>2</sub>, 2-h soak.



**FIG. A4.1 Schematic of SO<sub>2</sub> Line into Salt Fog Cabinet**

## **A5. DILUTE ELECTROLYTE CYCLIC FOG/DRY TEST**

A5.1 This test consists of cycles of 1-h dry-off and 1-h fog. The electrolyte is a solution of sodium chloride and ammonium sulfate, and is much more dilute than traditional salt fog. The fog is performed at room temperature, while the dry-off is at elevated temperature. In addition, the spray atomizing air is not saturated with water.

NOTE A5.1—This test is particularly applicable to paints on steel.

### **A5.2 Salt Solutions:**

A5.2.1 Prepare an electrolyte solution of 0.05 % sodium chloride and 0.35 % ammonium sulfate by mass. The water and sodium chloride shall meet the purity requirements of Section 6. The ammonium sulfate shall contain not more than 0.3 % total impurities.

### **A5.3 Conditions in the Salt Fog Chamber:**

A5.3.1 *Wet/Dry Cycle*—The cycle consists of 1-h fog followed by 1-h dry-off.

NOTE A5.2—Experience indicates that longer cycle times can produce slower degradation.

A5.3.2 *Fog Temperature*—During the fog period, no heating is applied to the cabinet. The fog exposure is at ambient room temperature and conditions.

NOTE A5.3—Ambient conditions shall be an indoor atmosphere with no unusual pollution other than that arising from the test chamber. Such conditions shall be controlled to a temperature of  $24 \pm 3^\circ\text{C}$  ( $75 \pm 6^\circ\text{F}$ ) and a relative humidity below 75 %. Different room temperatures can give different results.

A5.3.3 The pH of the collected solution shall range between 5.0 and 5.4 (see 4.3.2 and 6.4).

A5.3.4 *Dry-Off Temperature*—The temperature throughout the exposure zone shall reach and remain at  $35 \pm 1.5^\circ\text{C}$  ( $95 \pm 3^\circ\text{F}$ ) within  $\frac{3}{4}$ -h of switching from the fog period to the dry period.

A5.3.4.1 The dry-off is achieved by purging the chamber with fresh air, such that within  $\frac{3}{4}$ -h all visible moisture is dried off of the specimens.

A5.4 *Cabinet Modifications*—In order to achieve the temperature changes specified in this annex, modifications or additions to Practice B 117 apparatus may be required. These may include:

- A5.4.1 Exposure chamber,
- A5.4.2 Temperature controls,
- A5.4.3 Air flow apparatus,
- A5.4.4 Insulation, and
- A5.4.5 Means for conditioning the heated air in the chamber or water in the jacket.

A5.4.6 Consult the cabinet manufacturer for any additional information or suggestions, or both.

A5.5 *Saturation Tower*—This test does not use humidified air. Use one of the following methods to avoid humidifying the air:

A5.5.1 Empty the saturation tower and ensure that the tower heaters are turned off, or

A5.5.2 Arrange the spray plumbing so that the atomizing air does *not* go through the saturation tower, but goes directly to the spray nozzle.

NOTE A5.4—The cycling from wet to dry subjects the specimens to a