

INTERNATIONAL
STANDARD

ISO
7914

Second edition
1994-09-15

**Forestry machinery — Portable
chain-saws — Minimum handle clearance
and sizes**

iTeh STANDARD PREVIEW

(standards.iteh.ai)
*Machines forestières — Scies à chaîne portatives — Espaces libres
minimaux et dimensions des poignées*

[ISO 7914:1994](https://standards.iteh.ai/catalog/standards/sist/745c14f3-f198-4ff0-83e9-4b37f261e615/iso-7914-1994)

<https://standards.iteh.ai/catalog/standards/sist/745c14f3-f198-4ff0-83e9-4b37f261e615/iso-7914-1994>



Reference number
ISO 7914:1994(E)

Foreword

ISO (the International Organization for Standardization) is a worldwide federation of national standards bodies (ISO member bodies). The work of preparing International Standards is normally carried out through ISO technical committees. Each member body interested in a subject for which a technical committee has been established has the right to be represented on that committee. International organizations, governmental and non-governmental, in liaison with ISO, also take part in the work. ISO collaborates closely with the International Electrotechnical Commission (IEC) on all matters of electrotechnical standardization.

Draft International Standards adopted by the technical committees are circulated to the member bodies for voting. Publication as an International Standard requires approval by at least 75 % of the member bodies casting a vote.

International Standard ISO 7914 was prepared by Technical Committee ISO/TC 23, *Tractors and machinery for agriculture and forestry*, Subcommittee SC 17, *Manually portable forest machinery*.

This second edition cancels and replaces the first edition (ISO 7914:1986), figure 1 of which has been technically revised.

Forestry machinery — Portable chain-saws — Minimum handle clearance and sizes

1 Scope

This International Standard lays down the dimensions of the front and rear handle clearance and the handle dimensions of portable hand-held chain-saws in order to ensure safe and comfortable operation.

2 General requirements

2.1 Front handle

<https://standards.iteh.ai/catalog/standards/sist/745c14f3-f198-4ff0-83e9-4b37f261e615/iso-7914-1994>

The front handle shall be so constructed and positioned that it presents an unobstructed surface throughout the working area.

2.2 Rear handle

The rear handle shall provide enough space behind the throttle trigger for a gloved hand operating the saw.

3 Clearance dimensions

The minimum clearance dimensions of the handles shall be as shown in table 1 and the appropriate figures in accordance with the indications in table 1.

Table 1 — Clearance dimensions

Handles	Description	Dimension (see figures)	Figure	Minimum size mm
Front	Finger clearance in the handle grip area	<i>A</i>	1	35
	Handle grip area	—	2	—
	Clearance between the front of the chain-saw body and the handle at the top measured 60 mm to the left of the guide bar plane ¹⁾	<i>B</i>	1	40
	Clearance between the front of the chain-saw body and the handle measured at the centreline of the guide bar	<i>C</i>	1	25
Front and rear	Perimeter of the cross-section of the handle	—	—	65
	Distance from the rear side of the throttle trigger to the centre of the front handle at the top	<i>D</i>	1	225 ²⁾
Rear ³⁾	Finger clearance at the released throttle trigger	<i>E</i>	3	30
	Clearance below the released throttle trigger	<i>F</i>	3	35
	Clearance behind the released throttle trigger	<i>G</i>	4	4 × 25
<p>1) If the saw has a permanently fixed spiked bumper, the measurement shall be made from the plane of the root of the bumper teeth.</p> <p>2) If an overall length of less than 225 mm is desirable, dimension <i>D</i> should not be less than 30 % of the overall length of the saw, including guide bar and chain.</p> <p>3) The dimensions shall be gauged free from play i.e. with a slight initial pressure on the throttle trigger.</p>				

Dimensions in millimetres

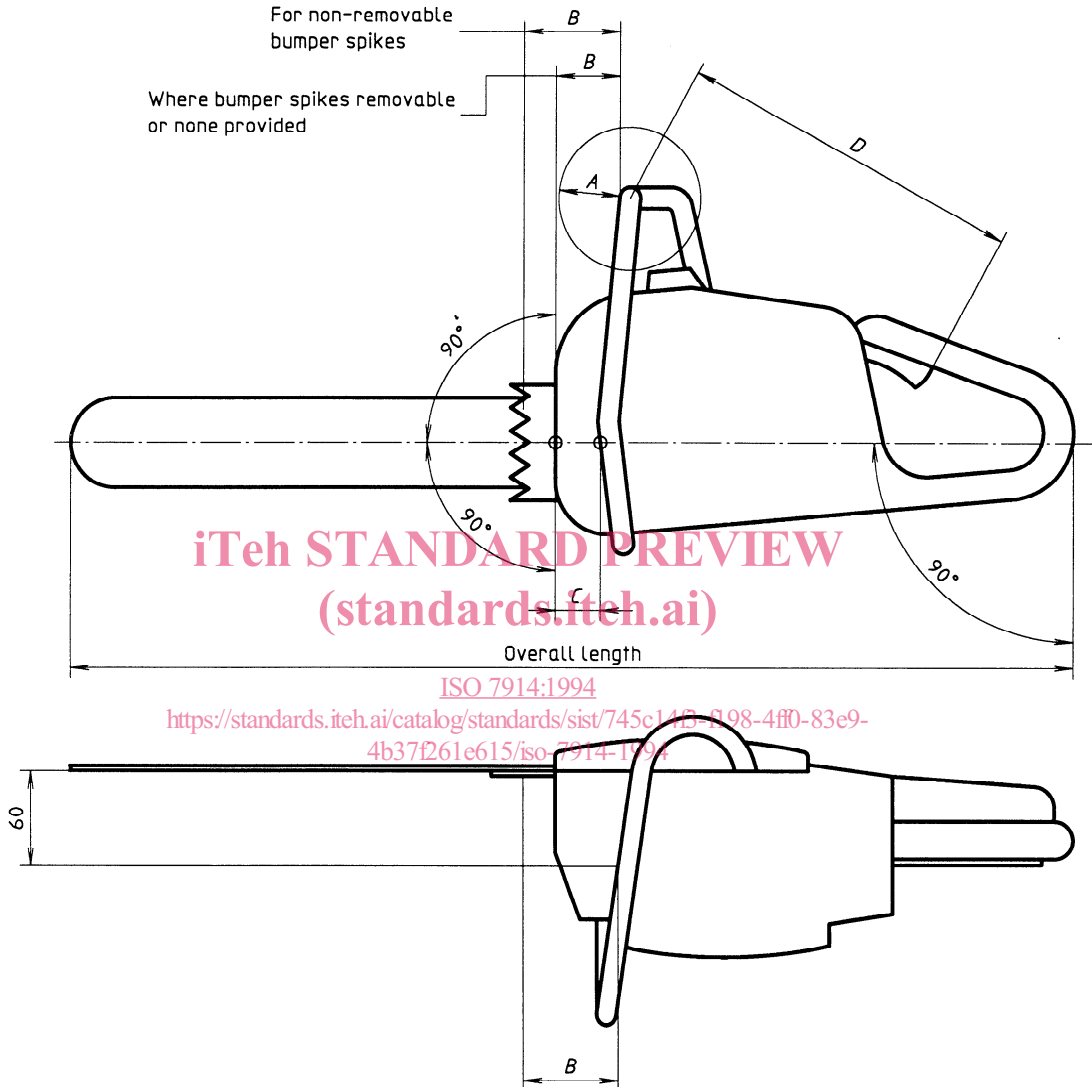


Figure 1 — Front handle clearances and distance between front and rear handle

Dimensions in millimetres

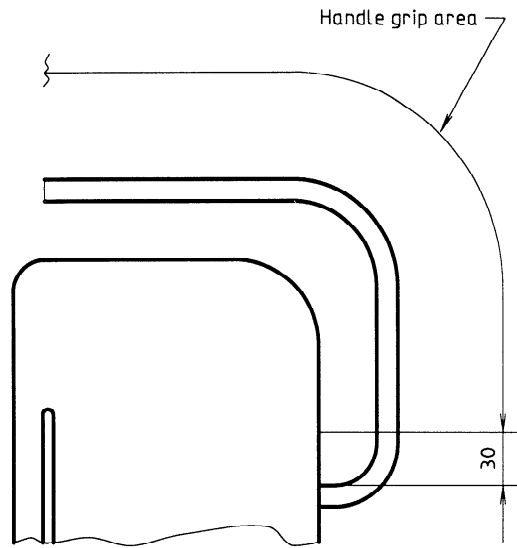


Figure 2 — Handle grip area

iTeh STANDARD PREVIEW (standards.iteh.ai)

ISO 7914:1994

<https://standards.iteh.ai/catalog/standards/sist/745c14f3-f198-4ff0-83e9-4b37f261e615/iso-7914-1994>

Dimensions in millimetres

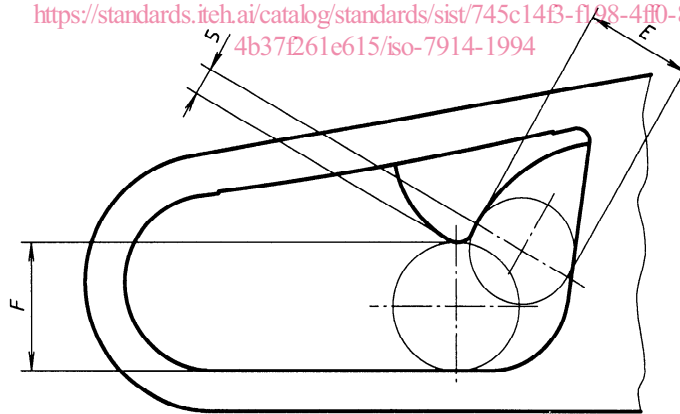


Figure 3 — Clearance at and below throttle trigger

iTeh STANDARD PREVIEW
(standards.iteh.ai)

ISO 7914:1994

<https://standards.iteh.ai/catalog/standards/sist/745c14f3-f198-4ff0-83e9-4b37f261e615/iso-7914-1994>

iTeh STANDARD PREVIEW
(standards.iteh.ai)

ISO 7914:1994

<https://standards.iteh.ai/catalog/standards/sist/745c14f3-f198-4ff0-83e9-4b37f261e615/iso-7914-1994>

ICS 65.060.80

Descriptors: agricultural machinery, forest equipment, portable equipment, saws, chain saws, handles, dimensions, clearances.

Price based on 5 pages
