



SLOVENSKI STANDARD SIST EN 60598-2-20:2010

01-junij-2010

Nadomešča:

SIST EN 60598-2-20:1999

SIST EN 60598-2-20:1999/A1:1999

SIST EN 60598-2-20:1999/A2:2004

Svetilke - 2-20. del: Posebne zahteve - Svetlobni nizi (IEC 60598-2-20:2010)

Luminaire - Part 2-20: Particular requirements - Lighting chains (IEC 60598-2-20:2010)

Luminaire - Partie 2-20: Règles particulières - Guirlandes lumineuses (IEC 60598-2-20:2010)

Luminaire - Partie 2-20: Règles particulières - Guirlandes lumineuses (CEI 60598-2-20:2010)

Ta slovenski standard je istoveten z: EN 60598-2-20:2010

ICS:

29.140.40 Svetila Luminaire

SIST EN 60598-2-20:2010 en,fr

iTeh STANDARD PREVIEW
(standards.iteh.ai)

[SIST EN 60598-2-20:2010](#)

<https://standards.iteh.ai/catalog/standards/sist/aa601ef8-53c0-4efd-b53-b2cc1e8d6f23/sist-en-60598-2-20-2010>

EUROPEAN STANDARD
NORME EUROPÉENNE
EUROPÄISCHE NORM

EN 60598-2-20

April 2010

ICS 29.140.40

Supersedes EN 60598-2-20:1997 + A1:1998 + corr. Dec.1998 + A2:2004 + corr. Sep.2004

English version

**Luminaires -
Part 2-20: Particular requirements -
Lighting chains
(IEC 60598-2-20:2010)**

Luminaires -
Partie 2-20: Règles particulières -
Guirlandes lumineuses
(CEI 60598-2-20:2010)

Leuchten -
Teil 2-20: Besondere Anforderungen -
Lichtketten
(IEC 60598-2-20:2010)

iTeh STANDARD PREVIEW

This European Standard was approved by CENELEC on 2010-04-01. CENELEC members are bound to comply with the CEN/CENELEC Internal Regulations which stipulate the conditions for giving this European Standard the status of a national standard without any alteration.

Up-to-date lists and bibliographical references concerning such national standards may be obtained on application to the Central Secretariat or to any CENELEC member.

This European Standard exists in three official versions (English, French, German). A version in any other language made by translation under the responsibility of a CENELEC member into its own language and notified to the Central Secretariat has the same status as the official versions.

CENELEC members are the national electrotechnical committees of Austria, Belgium, Bulgaria, Croatia, Cyprus, the Czech Republic, Denmark, Estonia, Finland, France, Germany, Greece, Hungary, Iceland, Ireland, Italy, Latvia, Lithuania, Luxembourg, Malta, the Netherlands, Norway, Poland, Portugal, Romania, Slovakia, Slovenia, Spain, Sweden, Switzerland and the United Kingdom.

CENELEC

European Committee for Electrotechnical Standardization
Comité Européen de Normalisation Electrotechnique
Europäisches Komitee für Elektrotechnische Normung

Central Secretariat: Avenue Marnix 17, B - 1000 Brussels

Foreword

The text of document 34D/946/FDIS, future edition 3 of IEC 60598-2-20, prepared by SC 34D, Luminaires, of IEC TC 34, Lamps and related equipment, was submitted to the IEC-CENELEC parallel vote.

A draft amendment prepared by the Technical Committee CENELEC TC 34Z, Luminaires and associated equipment and was simultaneously submitted to the formal vote.

The combined texts were approved by CENELEC as EN 60598-2-20 on 2010-04-01.

This European Standard supersedes EN 60598-2-20:1997 + A1:1998 + A2:2004.

This standard is to be used in conjunction with EN 60598-1:2008.

Attention is drawn to the possibility that some of the elements of this document may be the subject of patent rights. CEN and CENELEC shall not be held responsible for identifying any or all such patent rights.

The following dates were fixed:

- latest date by which the amendment has to be implemented at national level by publication of an identical national standard or by endorsement (dop) 2011-01-01
- latest date by which the national standards conflicting with the amendment have to be withdrawn (dow) 2013-04-01

Annexes ZA and ZB have been added by CENELEC.

Endorsement notice

The text of the International Standard IEC 60598-2-20:2010 was approved by CENELEC as a European Standard with agreed common modifications as given below.

In the official version, for Bibliography, the following note has to be added for the standard indicated:

IEC 61347-1 NOTE Harmonized as EN 61347-1.

COMMON MODIFICATIONS

20.1 Scope

20.1.1 Replace “IEC 60238:1991” by “IEC 60238:2004 + A1:2008”.

20.5 Marking

20.5.1 Amend Item b), 2) to begin as follows:

2) for series-connected lamps other than those in sealed chains, replace ...

Replace the note of Item e), by:

NOTE For the purpose of this subclause, a fused lamp is a lamp designed so as to break the circuit in the event of an overload either by means of a separate fuse incorporated within the lamp or by any other means e.g. a special filament. Such fuses or special filaments are not considered integral components (see 0.5.1 of EN 60598-1).

20.6 Construction

20.6.1 Replace by:

20.6.1 Edison screw lampholders E14 and E27 shall meet the requirements of EN 60238:2004.

Edison screw lampholders E5 and E10 and similar small lampholders of the push-in type shall meet the appropriate requirements of EN 60238:2004 as modified by Annex ZB.

Edison screw lampholders larger than E10 with non-metallic screw threads shall meet the requirements of 12.1 of EN 60238:2004.

NOTE E10 and small lampholders may have screw threads of insulating material.

In lighting chains fitted with parallel connected lamps, E27 and B22 lampholders with insulation piercing contacts shall meet the requirements of this section. In addition, E27 lampholders with insulation piercing contacts shall meet the requirements of 12.1 of EN 60238:2004.

Bayonet lampholders shall meet the requirements of EN 61184.

In lighting chains where non-standardized lamps (e.g. lamps of the push-in type) are used, the lamps are regarded as parts of the lighting chain and tested accordingly.

20.6.6 Replace by:

20.6.6 Compliance with the mechanical strength requirements of 4.13 of EN 60598-1:2008 for E14 and E27 lampholders incorporated in lighting chains shall be checked by the tests given in Clause 15 of EN 60238:2004.

E5 and E10 and similar small lampholders of push-in type shall be checked by the tests given in Clause 15 of EN 60238:2004 as modified by Annex ZB.

The tests are made on three samples of the lampholder without lamps inserted. After the test, the relevant compliance requirements of 4.13 of EN 60598-1:2008 shall be met.

20.6.12 Replace by:

20.6.12 The cap, if any, and the lamp bulb glass of replaceable push-in lamps shall not rotate in relation to the lampholder.

Compliance is checked by applying a torque of 0,025 Nm for 1 min between the lamp bulb and the lampholder.

20.7 Creepage distances and clearances**Replace by:****20.7 Creepage distances and clearances**

The provisions of Section 11 of EN 60598-1 apply except that

- for Edison screw lampholders E10, E14 and E27, Clause 17 of EN 60238:2004 applies
- for Edison screw lampholders E5 and similar small lampholders of push-in type, Clause 17 of EN 60238:2004, as modified by Annex ZB, applies.

20.10 External and internal wiring**20.10.1 Replace by:**

20.10.1 Subclause 5.2.2 of EN 60598-1:2008 does not apply. Internal and external cables of lighting chains, sealed chains and external cables of sealed chains shall not be lighter than the following:

- | | |
|---|--|
| - for ordinary lighting chains using series-connected lampholders | H03VH7-H |
| - for Class II ordinary lighting chains using parallel-connected lampholders | H03VV-F or H03VVH2-F |
| - for Class III lighting chains using parallel-connected lampholders and with a maximum rated wattage exceeding 50 W | H03VVH2-F |
| - for other lighting chains using series-connected lampholders | H03RN-F (see NOTE) (HD 22.8) |
| - for other lighting chains using parallel-connected lampholders | H05RNH2-F or H05RN-F (HD 22.4 and HD 22.8) |
| - for other lighting chains where the length of cable between the supply plug and the nearest lampholder exceeds 3 m for that part of the cable | H07RN-F |

NOTE H03RN-F is only suitable for use with the following lampholders: E5, E10, E14 and B15 or similar miniaturised (small) lampholders.

Internal and external cables of Class III lighting chains with a maximum rated wattage not exceeding 50 W and the internal conductors of sealed chains may have a cross-sectional area of less than 0,4 mm² provided that the current-carrying capacity and mechanical properties are adequate. For sealed chains class III chains, conductors without insulation are accepted, provided adequate precautions have been taken to ensure compliance with requirements of 5.3.1 of EN 60598-1:2008.

Compliance is checked by inspection, measurement and by calculation.

The nominal cross-sectional area of the conductors for the cables listed above shall be not less than one of the following values:

- a) 0,5 mm² for lighting chains with E5 or E10 lampholders or similar small lampholders of push-in type;
- b) 0,75 mm² for lighting chains with E14, E27, B15 or B22 lampholders and fitted with series-connected lamps;
- c) 1,5 mm² for lighting chains with E14, E27, B15 or B22 lampholders and fitted with parallel connected lamps.

20.15 Resistance to heat, fire and tracking

Replace by:

20.15 Resistance to heat, fire and tracking

The provisions of Section 13 of EN 60598-1:2008 apply except that

- for flexible pipes of sealed chains, the test of 13.2.1 is replaced by the test of Clause 8 of EN 60811-3-1:1995,
- for lampholders, the tests of Clause 13 are replaced by the tests of
 - for E14 and E27 lampholders: Clause 20 of EN 60238:2004,
 - for E5 and E10 and similar lampholders of the push-in type: Clause 20 of EN 60238:2004 as modified by Annex ZB.

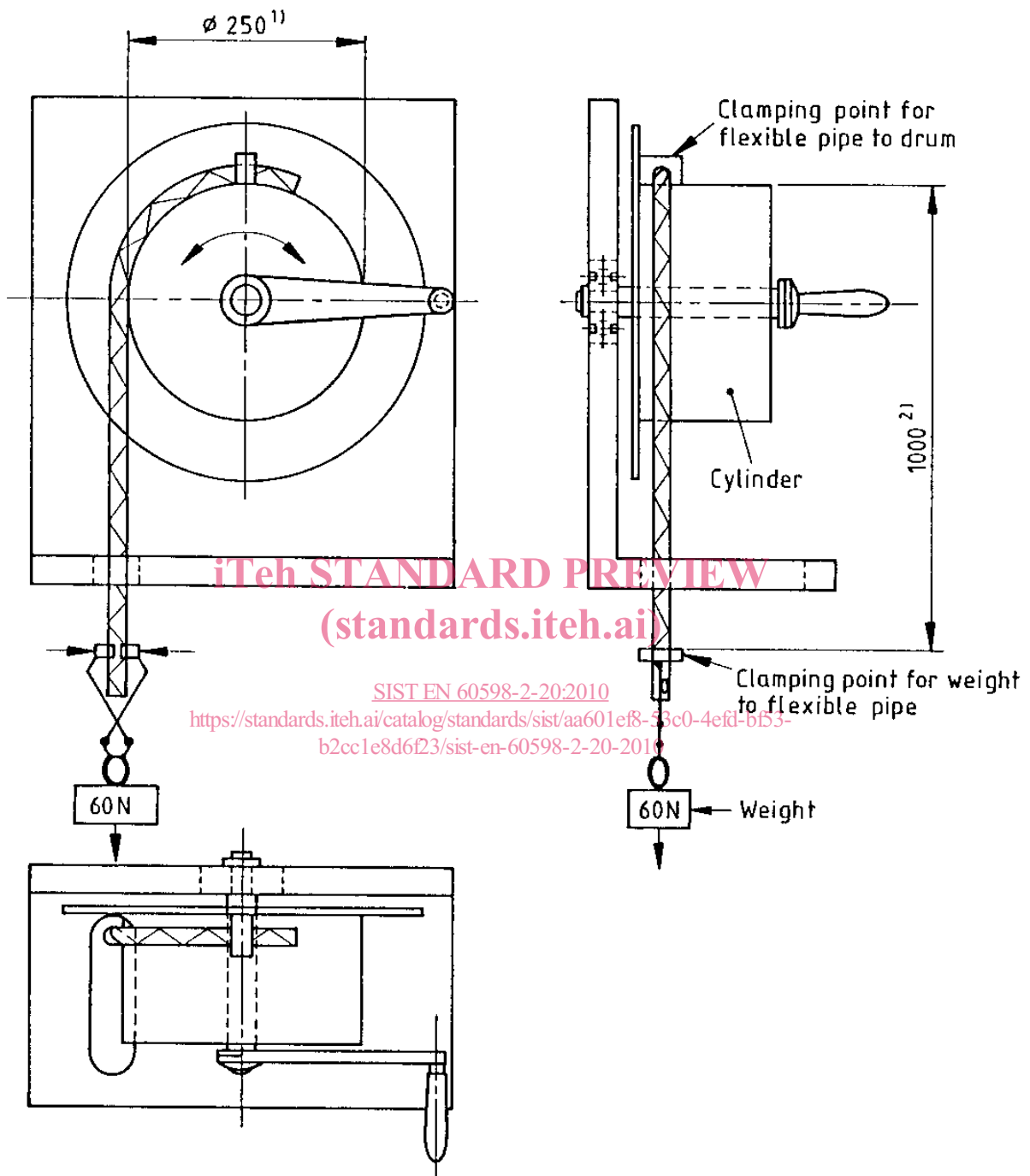
Figure 1 Delete and replace title by "Figure 1: Not used".

[SIST EN 60598-2-20:2010](https://standards.iteh.ai/catalog/standards/sist/aa601ef8-53c0-4efd-bf53-b2cc1e8d6f23/sist-en-60598-2-20-2010)

<https://standards.iteh.ai/catalog/standards/sist/aa601ef8-53c0-4efd-bf53-b2cc1e8d6f23/sist-en-60598-2-20-2010>

Figure 3 Replace by:

Dimensions in millimetres

**Key**

- 1) Diameter of wooden cylinder
- 2) Distance between the fixing point of the flexible pipe and the weight prior to commencement of the test

Figure 3 - Example of test device suitable for winding a flexible pipe

Annex ZA (normative)

Normative references to international publications with their corresponding European publications

The following referenced documents are indispensable for the application of this document. For dated references, only the edition cited applies. For undated references, the latest edition of the referenced document (including any amendments) applies.

NOTE When an international publication has been modified by common modifications, indicated by (mod), the relevant EN/HD applies.

<u>Publication</u>	<u>Year</u>	<u>Title</u>	<u>EN/HD</u>	<u>Year</u>
IEC 60083	-	Plugs and socket-outlets for domestic and similar general use standardized in member countries of IEC	-	-
IEC 60227	Series	Polyvinyl chloride insulated cables of rated voltages up to and including 450/750 V - Part 1: General requirements	-	-
IEC 60238 + A1	2004 2008	Edison screw lampholders	EN 60238 + corr. January + A1	2004 2005 2008
IEC 60245	Series	Rubber insulated cables - Rated voltages up to and including 450/750 V - Part 1: General requirements	-	-
IEC 60529	-	Degrees of protection provided by enclosures (IP Code)	EN 60529	-
IEC 60598-1 (mod)	2008	Luminaires - Part 1: General requirements and tests	EN 60598-1 + A11	2008 2009
IEC 60811-3-1 + A1 + A2	1985 1994 2001	Common test methods for insulating and sheathing materials of electric cables - Part 3: Methods specific to PVC compounds - Section 1: Pressure test at high temperature - Tests for resistance to cracking	EN 60811-3-1 + A1 + A2	1995 1996 2001
IEC 61184	-	Bayonet lampholders	EN 61184	-
IEC 61347-2-11	2001	Lamp controlgear - Part 2-11: Particular requirements for miscellaneous electronic circuits used with luminaires	EN 61347-2-11 + corr. January	2001 2002

Annex ZB (normative)

Requirements for Edison screw lampholders E5 and E10 and similar small lampholders of the push-in type

This annex consists of modifications to EN 60238:2004 + A1:2008 to cover Edison screw lampholders E5 and E10 and similar small lampholders of push-in type.

1.1 Add at the end of the 3rd paragraph:

It also applies to push-in lampholders, where applicable.

9.1 In the 1st line of the test specification **add** "E5 and" before "E10".

15.9 Replace the 2nd paragraph of the test by:

The backplate of lampholders shall be fixed by means of screws to a rigid flat steel sheet as follows:

- 3 mm screws for lampholders E10;
- 4 mm for lampholders other than E10.

This sheet shall have two drilled and tapped holes at a distance equal to the distance between the axes of the fixing holes of the backplate. The screws shall be gradually tightened, the maximum torque applied being

- 0,5 Nm for 3 mm screws, and
- 1,2 Nm for 4 mm screws.

These requirements do not apply to lampholders E5.

iTeh STANDARD PREVIEW
(standards.iteh.ai)
SIST EN 60598-2-20:2010
<https://standards.iteh.ai/catalog/standards/sist/aa601ef8-53c0-4efd-bf53-b2cc1e8d6423/sist-en-60598-2-20-2010>



IEC 60598-2-20

Edition 3.0 2010-02

INTERNATIONAL STANDARD

NORME INTERNATIONALE

Luminaire – iTeh STANDARD PREVIEW
Part 2-20: Particular requirements – Lighting chains
(standards.iteh.ai)

Luminaire –
Partie 2-20: Règles particulières – Guirlandes lumineuses
SIST EN 60598-2-20:2010
<http://standards.iteh.ai/catalog/standards/sist-en-60598-2-20-2010-b2cc1e8d6f23/sist-en-60598-2-20-2010>

INTERNATIONAL
ELECTROTECHNICAL
COMMISSION

COMMISSION
ELECTROTECHNIQUE
INTERNATIONALE

PRICE CODE
CODE PRIX

R

ICS 29.140.40

ISBN 2-8318-1079-0