

INTERNATIONAL STANDARD

NORME INTERNATIONALE



Particular requirements for source switching equipment (SSE)

Exigences particulières relatives au matériel de commutation de source (SSE)

[IEC 62991:2022](https://standards.iteh.ai/catalog/standards/sist/545c725c-371a-45ad-8d8b-4f44fc687f0b/iec-62991-2022)

<https://standards.iteh.ai/catalog/standards/sist/545c725c-371a-45ad-8d8b-4f44fc687f0b/iec-62991-2022>



THIS PUBLICATION IS COPYRIGHT PROTECTED

Copyright © 2022 IEC, Geneva, Switzerland

All rights reserved. Unless otherwise specified, no part of this publication may be reproduced or utilized in any form or by any means, electronic or mechanical, including photocopying and microfilm, without permission in writing from either IEC or IEC's member National Committee in the country of the requester. If you have any questions about IEC copyright or have an enquiry about obtaining additional rights to this publication, please contact the address below or your local IEC member National Committee for further information.

Droits de reproduction réservés. Sauf indication contraire, aucune partie de cette publication ne peut être reproduite ni utilisée sous quelque forme que ce soit et par aucun procédé, électronique ou mécanique, y compris la photocopie et les microfilms, sans l'accord écrit de l'IEC ou du Comité national de l'IEC du pays du demandeur. Si vous avez des questions sur le copyright de l'IEC ou si vous désirez obtenir des droits supplémentaires sur cette publication, utilisez les coordonnées ci-après ou contactez le Comité national de l'IEC de votre pays de résidence.

IEC Secretariat
3, rue de Varembe
CH-1211 Geneva 20
Switzerland

Tel.: +41 22 919 02 11
info@iec.ch
www.iec.ch

About the IEC

The International Electrotechnical Commission (IEC) is the leading global organization that prepares and publishes International Standards for all electrical, electronic and related technologies.

About IEC publications

The technical content of IEC publications is kept under constant review by the IEC. Please make sure that you have the latest edition, a corrigendum or an amendment might have been published.

IEC publications search - webstore.iec.ch/advsearchform

The advanced search enables to find IEC publications by a variety of criteria (reference number, text, technical committee, ...). It also gives information on projects, replaced and withdrawn publications.

IEC Just Published - webstore.iec.ch/justpublished

Stay up to date on all new IEC publications. Just Published details all new publications released. Available online and once a month by email.

IEC Customer Service Centre - webstore.iec.ch/csc

If you wish to give us your feedback on this publication or need further assistance, please contact the Customer Service Centre: sales@iec.ch.

IEC Products & Services Portal - products.iec.ch

Discover our powerful search engine and read freely all the publications previews. With a subscription you will always have access to up to date content tailored to your needs.

Electropedia - www.electropedia.org

The world's leading online dictionary on electrotechnology, containing more than 22 300 terminological entries in English and French, with equivalent terms in 19 additional languages. Also known as the International Electrotechnical Vocabulary (IEV) online.

A propos de l'IEC

La Commission Electrotechnique Internationale (IEC) est la première organisation mondiale qui élabore et publie des Normes internationales pour tout ce qui a trait à l'électricité, à l'électronique et aux technologies apparentées.

A propos des publications IEC

Le contenu technique des publications IEC est constamment revu. Veuillez vous assurer que vous possédez l'édition la plus récente, un corrigendum ou amendement peut avoir été publié.

Recherche de publications IEC - webstore.iec.ch/advsearchform

La recherche avancée permet de trouver des publications IEC en utilisant différents critères (numéro de référence, texte, comité d'études, ...). Elle donne aussi des informations sur les projets et les publications remplacées ou retirées.

IEC Just Published - webstore.iec.ch/justpublished

Restez informé sur les nouvelles publications IEC. Just Published détaille les nouvelles publications parues. Disponible en ligne et une fois par mois par email.

Service Clients - webstore.iec.ch/csc

Si vous désirez nous donner des commentaires sur cette publication ou si vous avez des questions contactez-nous: sales@iec.ch.

IEC Products & Services Portal - products.iec.ch

Découvrez notre puissant moteur de recherche et consultez gratuitement tous les aperçus des publications. Avec un abonnement, vous aurez toujours accès à un contenu à jour adapté à vos besoins.

Electropedia - www.electropedia.org

Le premier dictionnaire d'électrotechnologie en ligne au monde, avec plus de 22 300 articles terminologiques en anglais et en français, ainsi que les termes équivalents dans 19 langues additionnelles. Egalement appelé Vocabulaire Electrotechnique International (IEV) en ligne.

INTERNATIONAL STANDARD

NORME INTERNATIONALE



Particular requirements for source switching equipment (SSE)

Exigences particulières relatives au matériel de commutation de source (SSE)

[IEC 62991:2022](https://standards.iteh.ai/catalog/standards/sist/545c725c-371a-45ad-8d8b-4f44fc687f0b/iec-62991-2022)

<https://standards.iteh.ai/catalog/standards/sist/545c725c-371a-45ad-8d8b-4f44fc687f0b/iec-62991-2022>

INTERNATIONAL
ELECTROTECHNICAL
COMMISSION

COMMISSION
ELECTROTECHNIQUE
INTERNATIONALE

ICS 03.100.70; 27.015; 29.020

ISBN 978-2-8322-6198-9

**Warning! Make sure that you obtained this publication from an authorized distributor.
Attention! Veuillez vous assurer que vous avez obtenu cette publication via un distributeur agréé.**

CONTENTS

FOREWORD.....	8
INTRODUCTION.....	10
1 Scope.....	12
2 Normative references	13
3 Terms and definitions	15
3.1 General definitions.....	15
3.2 Additional definitions for NC-SSE and SSE control units (controllers) of C-SSE	25
3.3 Additional definitions dedicated to C-SSE	26
4 Classification.....	27
4.1 According to the method of operation.....	27
4.2 According to the construction.....	27
4.3 According to the kind of current	28
4.4 According to the number of switched poles	28
4.5 According to the type of terminals.....	28
4.6 According to the SSE's intended application	28
4.7 According to coupling method	28
4.7.1 SSE with synchronization	28
4.7.2 SSE with interlock	28
4.7.3 SSE with synchronization and interlock.....	28
4.8 According to the transition type.....	28
4.9 According to the possibility to select sources	28
4.10 According to the utilization category.....	28
4.11 According to the possibility to provide an OFF position	28
4.12 According to the method of mounting.....	29
4.13 According to the protection against external influences	29
4.14 According to functional categories	29
5 Characteristics	31
5.1 General.....	31
5.2 Type and characteristics of the equipment	32
5.3 Characteristics of NC-SSE	32
5.3.1 General	32
5.3.2 Characteristics of main circuits	32
5.3.3 Utilization categories	35
5.3.4 Characteristics of control circuits, including electrical interlocks	35
5.3.5 Characteristics of auxiliary circuits.....	37
5.4 Characteristics of C-SSE	37
5.4.1 General	37
5.4.2 Characteristics of main circuits	37
5.4.3 Utilization categories	38
5.4.4 Characteristics of control circuits, including electrical interlocks	38
5.4.5 Characteristics of auxiliary circuits.....	39
6 Markings and product information.....	39
7 Standard conditions for operation in service	40
7.1 General.....	40
7.2 Ambient temperature range in normal use.....	41

7.3	Relative humidity	41
7.4	Altitude	41
7.5	Conditions of installation	41
7.6	Pollution degree	41
8	Requirements for construction and operation	41
8.1	General	41
8.2	Mechanical design	42
8.2.1	General	42
8.2.2	Constructional requirements	42
8.2.3	Mechanism and operating means	44
8.2.4	Clearances and creepage distances and distances through sealing compound	46
8.2.5	Screws, current-carrying parts and connections	49
8.2.6	Terminals for external conductors	50
8.3	Protection against electric shock	52
8.4	Dielectric properties	52
8.4.1	General	52
8.4.2	Dielectric properties	52
8.5	Temperature-rise	52
8.6	Making and breaking capacity	53
8.7	Performances	54
8.7.1	General	54
8.7.2	Operating conditions	55
8.7.3	Operational performance	57
8.8	Resistance to heat	58
8.9	Resistance of insulating material to abnormal heat and to fire	58
8.10	Resistance to rusting	59
8.11	Coordination with short-circuit protective devices (SCPDs)	59
8.12	EMC	59
8.13	Resistance to abnormal conditions	59
8.14	Components	59
8.14.1	General	59
8.14.2	Fuses	60
8.14.3	Capacitors	60
8.14.4	Resistors	61
8.14.5	Transformers	61
9	Type tests	61
9.1	General requirements	61
9.1.1	Type tests and test sequences	61
9.1.2	Test conditions	61
9.1.3	Test procedure	63
9.2	Tests of indelibility of markings	63
9.3	Tests of the mechanical strength	63
9.3.1	Tests of the resistance to mechanical stresses of insulating means	63
9.3.2	Verification of installation and connections	73
9.3.3	Tests of fixings of covers, cover plates and actuating members	75
9.3.4	Tests of attachment of knobs	76
9.3.5	Tests of covers, cover plates or actuating members – Accessibility to live parts	77

9.3.6	Tests of covers, cover plates or actuating members – Accessibility to non-earthed metal parts separated from live parts	78
9.3.7	Tests of covers, cover plates or actuating members – Accessibility to insulating parts, earthed metal parts, the live parts of SELV ≤ 25 V AC or metal parts separated from live parts	78
9.3.8	Tests of covers, cover plates or actuating members – Application of gauges	78
9.3.9	Tests of grooves, holes and reverse tapers.....	80
9.4	Measurements of clearances and creepage distances.....	81
9.5	Test of reliability of screws, current-carrying parts and connections	82
9.6	Test of reliability of screw-type terminals for external copper conductors	82
9.7	Tests for the protection against electric shock.....	84
9.8	Tests of dielectric properties	86
9.8.1	General	86
9.8.2	Tests of the resistance to humidity.....	87
9.8.3	Tests of the insulation resistance of the main circuits	87
9.8.4	Tests of the dielectric strength of main circuits	88
9.8.5	Tests of the insulation resistance and dielectric strength of other circuits	90
9.8.6	Verification of impulse withstand voltages (across clearances and through solid insulations).....	91
9.9	Tests of temperature-rise	92
9.9.1	General	92
9.9.2	Test setup	92
9.9.3	Test procedure	94
9.10	Tests of making and breaking capacity	94
9.11	Verification of performances	95
9.11.1	General	95
9.11.2	Verification of interlocking function	95
9.11.3	Verification of controls, sequences and limits of operations	98
9.11.4	Verification of the operational performance capability	102
9.12	Tests of heat resistance	103
9.12.1	Basic heating test	103
9.12.2	Ball-pressure test on parts of insulating material necessary to retain current-carrying parts and parts of the earthing circuit in position	104
9.12.3	Ball-pressure test on parts of insulating material not necessary to retain current-carrying parts and parts of the earthing circuit in position	104
9.13	Tests of the resistance of insulating material to abnormal heat and to fire.....	104
9.14	Resistance to rusting	106
9.15	Tests of coordination with short-circuit protective devices (SCPDs)	107
9.15.1	General	107
9.15.2	Test conditions	107
9.15.3	Tests of coordination between the SSE and the SCPDs.....	112
9.16	EMC tests	113
9.16.1	General	113
9.16.2	Electromagnetic emission	113
9.16.3	Electromagnetic immunity.....	113
9.17	Tests under abnormal conditions	117
9.17.1	General	117
9.17.2	Tests under fault conditions.....	119
9.17.3	Overload tests	121

9.18 Tests of components.....	121
Annex A (informative) Examples of possible use of SSE	125
A.1 General concept of prosumer's low-voltage electrical installation	125
A.2 Examples of SSE use	128
Annex B (informative) Correspondence between ISO and AWG copper conductors	133
Annex C (normative) Determination of clearances and creepage distances.....	134
C.1 General.....	134
C.2 Orientation and location of a creepage distance.....	134
C.3 Creepage distances where more than one material is used.....	134
C.4 Creepage distances split by floating conductive part.....	134
C.5 Measurement of creepage distances and clearances	134
Annex D (normative) Test sequences and number of specimens.....	137
Annex E (normative) Arrangement for the detection of the emission of ionized gases during short-circuit tests	139
Bibliography.....	142
Figure 1 – Energy efficiency management system (EEMS).....	10
Figure 2 – Principle of management of two sources with source switching equipment (SSE).....	11
Figure 3 – Example of A-SSE	30
Figure 4 – Example of R-SSE	31
Figure 5 – Example of M-SSE	31
Figure 6 – Pendulum impact test apparatus	65
Figure 7 – Pendulum impact test apparatus (striking element)	66
Figure 8 – Mounting support of specimens.....	67
Figure 9 – Mounting block for a flush type SSE	68
Figure 10 – Example of mounting support of panel board type SSE	69
Figure 11 – Example of mounting support for a rear fixed SSE.....	70
Figure 12 – Application of forces on a rail-mounted SSE.....	72
Figure 13 – Determination of the direction of the forces to be applied	74
Figure 14 – Direction for the conductor pull of 30 N for 1 min.....	75
Figure 15 – Gauge (thickness: about 2 mm) for the verification of the outline of covers, cover plates or actuating members	78
Figure 16 – Example of application of the gauge of Figure 15 on covers fixed without screws on a mounting surface or supporting surface.....	79
Figure 17 – Examples of applications of the gauge of Figure 15.....	80
Figure 18 – Gauge for verification of grooves, holes and reverse tapers	81
Figure 19 – Sketch showing the direction of application of the gauge of Figure 18	81
Figure 20 – Jointed test finger (test probe B according to IEC 61032:1997)	85
Figure 21 – Test pin for checking the protection against electric shock	86
Figure 22 – Actuator test force.....	97
Figure 23 – Test circuit for connection to source 1 and source 2.....	99
Figure 24 – Ball-pressure test apparatus.....	104
Figure 25 – Diagrammatic representation.....	105
Figure 26 – Typical diagram for all coordination tests	108

Figure 27 – Detail of impedances Z and Z_1	109
Figure 28 – Minimum clearances and creepage distances on printed boards	120
Figure 29 – Surge test – Test circuit	122
Figure 30 – Surge test – Example of a switch to be used in the test circuit.....	123
Figure A.1 – Example of PEI	126
Figure A.2 – Example of an individual PEI	127
Figure A.3 – Example of a shared PEI with a distribution system within the PEI in parallel to the DSO distribution system	128
Figure A.4 – Example of SSE use in an individual PEI with PV production and storage on the DC side.....	129
Figure A.5 – Example of SSE use in an individual PEI with PV production and storage on the AC side.....	130
Figure A.6 – Example of SSE use for power backup with storage or a generating set	131
Figure A.7 – Example of SSE use for power backup with storage only	132
Figure C.1 – Example 1	135
Figure C.2 – Example 2	135
Figure C.3 – Example 3	135
Figure C.4 – Example 4	135
Figure C.5 – Example 5	136
Figure C.6 – Example 6	136
Figure C.7 – Example 7	136
Figure E.1 – Test arrangement	140
Figure E.2 – Grid	141
Figure E.3 – Grid circuit	141
Table 1 – Source switching functional categories	29
Table 2 – Preferred values of rated voltages	33
Table 3 – Rated impulse voltage as a function of the nominal voltage of the installation	34
Table 4 – Utilization categories	35
Table 5 – Requirements and position for markings and other product information	39
Table 6 – Cross-sectional areas (S) of test copper conductors corresponding to the rated currents	43
Table 7 – Minimum clearances and creepage distances.....	47
Table 8 – Connectable cross-sections of copper conductors for screw-type terminals.....	50
Table 9 – Temperature-rise values.....	53
Table 10 – Making and breaking conditions for tests of making and breaking capacities	54
Table 11 – OFF-time durations for the verification of making and breaking capacities for utilization categories.....	54
Table 12 – Making and breaking conditions for the operational performance.....	58
Table 13 – Number of operations for operational performance	58
Table 14 – Capacitors	61
Table 15 – Tightening torque for the verification of the mechanical strength of screw-type terminals	62
Table 16 – Height of fall for impact test.....	71

Table 17 – Forces to be applied to covers, cover plates or actuating members whose fixing is not dependent on screws	76
Table 18 – Test values for pulling out test.....	83
Table 19 – Test voltage, points of application and minimum values of insulating resistance for the verification of dielectric strength.....	89
Table 20 – Test voltages of auxiliary circuits.....	90
Table 21 – Test voltage for verification of impulse withstand voltage	92
Table 22 – Temperature-rise test currents and cross-sectional areas of copper conductors	93
Table 23 – Actuator test force	97
Table 24 – Minimum values of I^2t and I_p	110
Table 25 – Power factors for short-circuit tests	111
Table 26 – Immunity tests (overview).....	114
Table 27 – Performance criteria	114
Table 28 – Voltage dip test values	115
Table 29 – Short-interruption test values.....	115
Table 30 – Surge test voltages	115
Table 31 – Fast transient test values	116
Table 32 – Permissible temperature rise values	118
Table B.1 – Correspondence between ISO and AWG copper conductors	133
Table D.1 – Test sequences and number of specimens for tests	138

[IEC 62991:2022](https://standards.iteh.ai/catalog/standards/sist/545c725c-371a-45ad-8d8b-4f44fc687f0b/iec-62991-2022)

<https://standards.iteh.ai/catalog/standards/sist/545c725c-371a-45ad-8d8b-4f44fc687f0b/iec-62991-2022>

INTERNATIONAL ELECTROTECHNICAL COMMISSION

**PARTICULAR REQUIREMENTS FOR
SOURCE SWITCHING EQUIPMENT (SSE)**
FOREWORD

- 1) The International Electrotechnical Commission (IEC) is a worldwide organization for standardization comprising all national electrotechnical committees (IEC National Committees). The object of IEC is to promote international co-operation on all questions concerning standardization in the electrical and electronic fields. To this end and in addition to other activities, IEC publishes International Standards, Technical Specifications, Technical Reports, Publicly Available Specifications (PAS) and Guides (hereafter referred to as "IEC Publication(s)"). Their preparation is entrusted to technical committees; any IEC National Committee interested in the subject dealt with may participate in this preparatory work. International, governmental and non-governmental organizations liaising with the IEC also participate in this preparation. IEC collaborates closely with the International Organization for Standardization (ISO) in accordance with conditions determined by agreement between the two organizations.
- 2) The formal decisions or agreements of IEC on technical matters express, as nearly as possible, an international consensus of opinion on the relevant subjects since each technical committee has representation from all interested IEC National Committees.
- 3) IEC Publications have the form of recommendations for international use and are accepted by IEC National Committees in that sense. While all reasonable efforts are made to ensure that the technical content of IEC Publications is accurate, IEC cannot be held responsible for the way in which they are used or for any misinterpretation by any end user.
- 4) In order to promote international uniformity, IEC National Committees undertake to apply IEC Publications transparently to the maximum extent possible in their national and regional publications. Any divergence between any IEC Publication and the corresponding national or regional publication shall be clearly indicated in the latter.
- 5) IEC itself does not provide any attestation of conformity. Independent certification bodies provide conformity assessment services and, in some areas, access to IEC marks of conformity. IEC is not responsible for any services carried out by independent certification bodies.
- 6) All users should ensure that they have the latest edition of this publication.
- 7) No liability shall attach to IEC or its directors, employees, servants or agents including individual experts and members of its technical committees and IEC National Committees for any personal injury, property damage or other damage of any nature whatsoever, whether direct or indirect, or for costs (including legal fees) and expenses arising out of the publication, use of, or reliance upon, this IEC Publication or any other IEC Publications.
- 8) Attention is drawn to the Normative references cited in this publication. Use of the referenced publications is indispensable for the correct application of this publication.
- 9) Attention is drawn to the possibility that some of the elements of this IEC Publication may be the subject of patent rights. IEC shall not be held responsible for identifying any or all such patent rights.

IEC 62991 has been prepared by subcommittee 23K: Electrical Energy Efficiency products, of IEC technical committee 23: Electrical accessories. It is an International Standard.

The text of this International Standard is based on the following documents:

Draft	Report on voting
23K/78/FDIS	23K/79/RVD

Full information on the voting for its approval can be found in the report on voting indicated in the above table.

The language used for the development of this International Standard is English.

This document was drafted in accordance with ISO/IEC Directives, Part 2, and developed in accordance with ISO/IEC Directives, Part 1 and ISO/IEC Directives, IEC Supplement, available at www.iec.ch/members_experts/refdocs. The main document types developed by IEC are described in greater detail at www.iec.ch/standardsdev/publications.

In this document, the following print types are used:

– *conformity statements: in italic type.*

The committee has decided that the contents of this document will remain unchanged until the stability date indicated on the IEC website under webstore.iec.ch in the data related to the specific document. At this date, the document will be

- reconfirmed,
- withdrawn,
- replaced by a revised edition, or
- amended.

IMPORTANT – The "colour inside" logo on the cover page of this document indicates that it contains colours which are considered to be useful for the correct understanding of its contents. Users should therefore print this document using a colour printer.

iTeh STANDARD PREVIEW
(standards.iteh.ai)

[IEC 62991:2022](https://standards.iteh.ai/catalog/standards/sist/545c725c-371a-45ad-8d8b-4f44fc687f0b/iec-62991-2022)

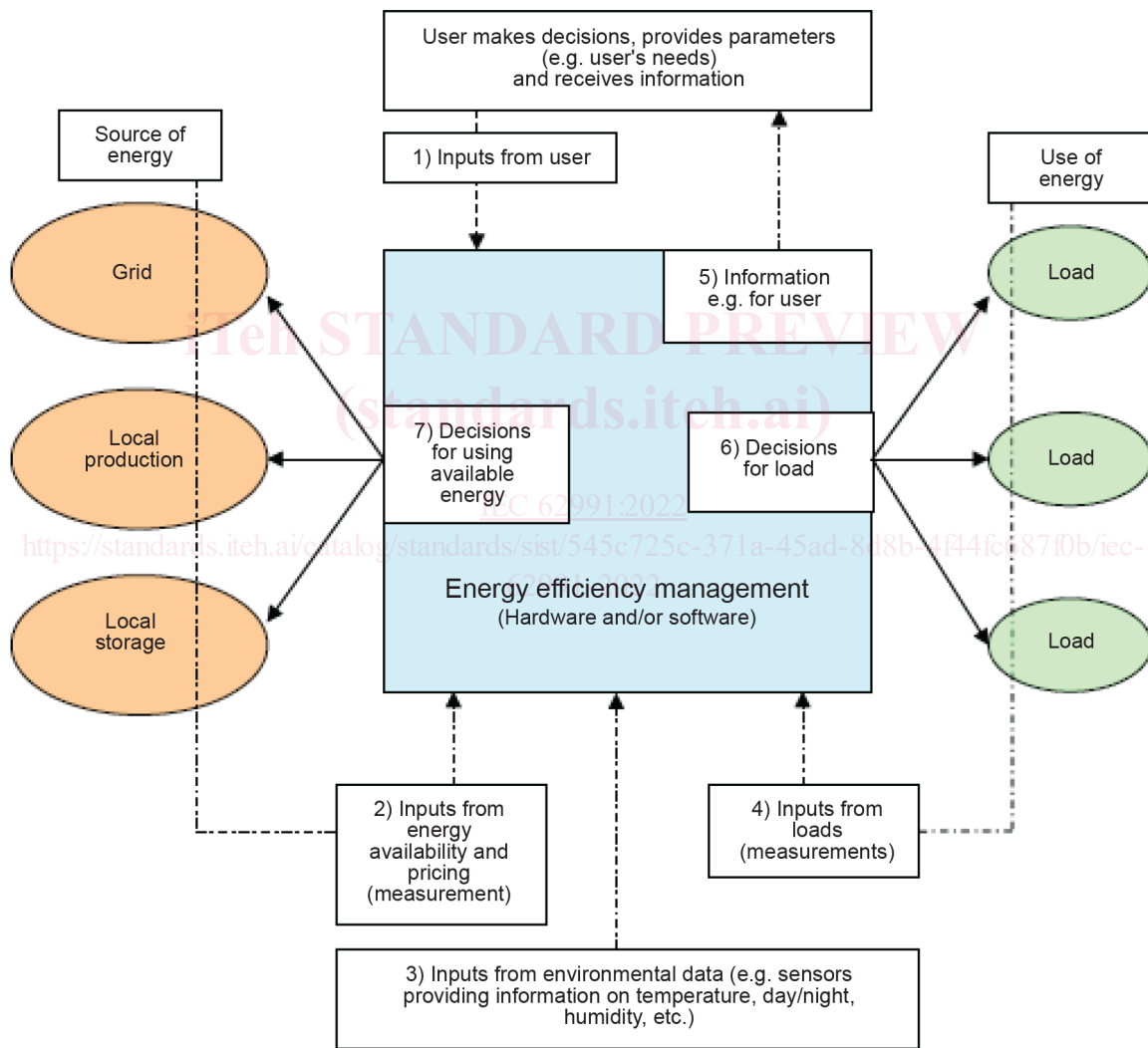
<https://standards.iteh.ai/catalog/standards/sist/545c725c-371a-45ad-8d8b-4f44fc687f0b/iec-62991-2022>

INTRODUCTION

The optimization of electrical energy usage can be facilitated by appropriate design and installation considerations. An electrical installation can provide the required level of service and safety for the lowest level of electrical consumption.

This is considered by designers as a general requirement of their design procedures to establish the best use of electrical energy.

The optimization of the use of electricity is based on energy efficiency management taking into consideration the price of electricity, electrical consumption of the loads and real-time adaptation, as described in Figure 1, which is reproduced from IEC 60364-8-1:2019, Figure 1.



IEC

Figure 1 – Energy efficiency management system (EEMS)

This document applies to source switching equipment (SSE), for household and similar uses (see Figure 2).

SSE is intended:

- to make transparent to the end-user the use of energy sources, taking into account local generation or storage;
- to optimize the electrical energy originating either from the grid or from other local sources/storage.

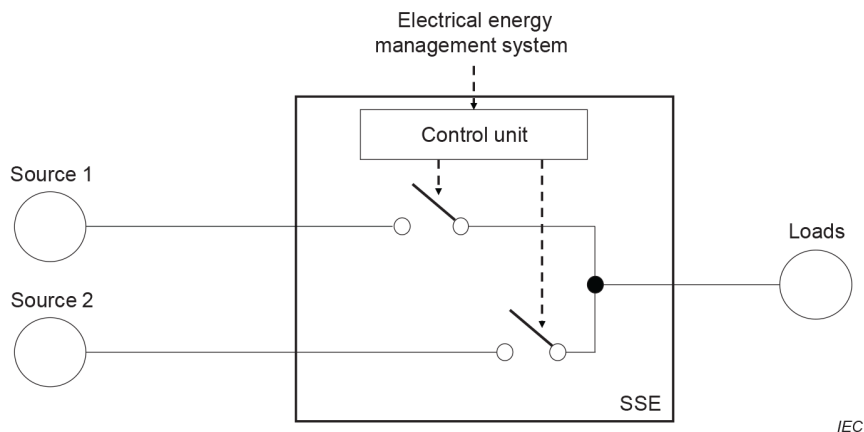


Figure 2 – Principle of management of two sources with source switching equipment (SSE)

NOTE Examples of use of SSE are given Annex A.

As defined by IEC 60364-8-82:2022, the main operating modes of SSE are:

- direct feeding mode: corresponding to the normal source (supply from the grid). Storage units can supply current-using-equipment or be charged by the grid or local power supplies;
- island mode: loads supplied by local energy sources and storage units, disconnected from the grid;
- reverse feeding mode: corresponding to the supply of the grid. Storage units can supply current-using-equipment and/or the grid or be charged by local power supplies.

Transfer from/to the direct feeding mode to island mode and vice versa can be achieved by the operation of the SSE which can be either directly controlled (manually or remotely) or automatically controlled.

Operation of SSE is to occur in safe conditions as described in IEC 60364-8-82:2022.

This document does not cover communication aspects such as protocols and interoperability nor data security or other related aspects.

SSE switching operations are based on similar principles as transfer switching equipment (TSE). For applications with higher currents, for example, for industrial applications, the reader may refer to IEC 60947-6-1.

PARTICULAR REQUIREMENTS FOR SOURCE SWITCHING EQUIPMENT (SSE)

1 Scope

This International Standard applies to source switching equipment, hereafter referred to as SSE, for household and similar uses, primarily intended to be used for energy efficiency (EE) purposes with local production and/or storage of energy.

SSE is intended to be installed in low voltage prosumer electrical installations (PEI) to deliver the electrical energy:

- either to current-using equipment (direct feeding mode or island mode);
- or to the grid (reverse feeding mode).

SSE is intended to select and/or combine two power sources (e.g. selected from among grid, local power source, storage units) within an electrical energy management system (EEMS). SSE can also be used for backup supply.

NOTE 1 "Switching device for islanding" (SDFI) function is under consideration as additional requirements can be necessary. See also Figure 4 of IEC 60364-8-82:2022.

SSE is part of the fixed electrical installation.

This document applies to SSE for operation in AC single or multiphase main circuits with rated voltages not exceeding 440 V AC, frequencies of 50 Hz, 60 Hz or 50/60 Hz and rated currents not exceeding 125 A (40 A for screwless terminals). They are intended to be used in installations with prospective short circuit currents not exceeding 25 000 A. DC operations are not covered by this edition and are kept under consideration for a future revision of this document.

According to this document, SSE can be operated:

- manually (M-SSE), or
- remotely (R-SSE), or
- automatically (A-SSE), or
- a combination of the above methods of operation, e.g. manual and remote.

SSE is used to select two sources sequentially. SSE able to run two (or more) sources in parallel are not covered by this edition and are kept under consideration for a future revision of this product standard.

SSE can be operated with interlocks and/or synchronization.

NOTE 2 In some countries, it is not permitted to have synchronization of local sources with the grid for particular grid conditions, e.g. when fluctuations of the grid voltage or frequency are outside the tolerance limits.

SSE is constructed either as combined SSE (C-SSE, based on dedicated products such as circuit breakers, switches or contactors) or non-combined SSE (NC-SSE).

According to this document, C-SSE is based on switching units of the same type.

SSE is intended for use in circuits where protection against electrical shock and over-current is provided according to installation rules for low voltage electrical installations, unless the SSE already contains such protective function.

SSE is normally installed by instructed persons (IEC 60050-195:2021, 195-04-02) or skilled persons (IEC 60050-195:2021, 195-04-01). SSE is normally used by ordinary persons (IEC 60005-195:2021, 195-04-03) and does not require maintenance.

The requirements of this document apply for standard environmental conditions. They are applicable to SSE intended for use in an environment with pollution degree 2 and overvoltage categories III according to IEC 60664-1:2020. SSE has at least a degree of protection IP 20 according to IEC 60529. Additional requirements can be necessary for devices used in locations having more severe environmental conditions.

SSE does not, by its nature, provide an isolation function nor the overcurrent protection. However, isolation and overcurrent protection functions as covered by relevant product standards can be provided by combined SSE.

This document does not apply to transfer switching equipment (TSE) intended to be used by skilled persons, as covered by IEC 60947-6-1:2021.

2 Normative references

The following documents are referred to in the text in such a way that some or all of their content constitutes requirements of this document. For dated references, only the edition cited applies. For undated references, the latest edition of the referenced document (including any amendments) applies.

IEC 60068-2-78, *Environmental testing – Part 2-78: Tests – Test Cab: Damp heat, steady state*

IEC 60085, *Electrical insulation – Thermal evaluation and designation*

IEC 60127-1, *Miniature fuses – Part 1: Definitions for miniature fuses and general requirements for miniature fuse-links*

IEC 60212, *Standard conditions for use prior to and during the testing of solid electrical insulating materials*

IEC 60228, *Conductors of insulated cables*

IEC 60317-0-1:2013, *Specifications for particular types of winding wires – Part 0-1: General requirements – Enamelled round copper wire*

IEC 60364-8-82:2022, *Low voltage electrical installations – Part 8-82: Functional aspects – Prosumer's low-voltage electrical installations*

IEC 60384-14:2013, *Fixed capacitors for use in electronic equipment – Part 14: Sectional specification – Fixed capacitors for electromagnetic interference suppression and connection to the supply mains*

IEC 60384-14:2013/AMD1:2016

IEC 60417, *Graphical symbols for use on equipment* (available at <http://www.graphical-symbols.info/equipment>)

IEC 60664-1:2020, *Insulation coordination for equipment within low-voltage systems – Part 1: Principles, requirements and tests*

IEC 60664-3, *Insulation coordination for equipment within low-voltage systems – Part 3: Use of coating, potting or moulding for protection against pollution*