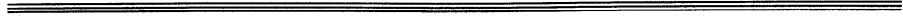


INTERNATIONAL
STANDARD

ISO
5356-1

Second edition
1996-12-15



**Anaesthetic and respiratory equipment —
Conical connectors —**

Part 1:
(Cones and sockets)

ISO 5356-1:1996

[https://standards.iteh.ai/catalog/standards/sist/3e7d37a4-0adf-4315-9217-](https://standards.iteh.ai/catalog/standards/sist/3e7d37a4-0adf-4315-9217-11d1c0000000/iso-5356-1-1996)

Matériel respiratoire et d'anesthésie — Raccords coniques —

Partie 1: Raccords mâles et femelles



Reference number
ISO 5356-1:1996(E)

Foreword

ISO (the International Organization for Standardization) is a worldwide federation of national standards bodies (ISO member bodies). The work of preparing International Standards is normally carried out through ISO technical committees. Each member body interested in a subject for which a technical committee has been established has the right to be represented on that committee. International organizations, governmental and non-governmental, in liaison with ISO, also take part in the work. ISO collaborates closely with the International Electrotechnical Commission (IEC) on all matters of electrotechnical standardization.

Draft International Standards adopted by the technical committees are circulated to the member bodies for voting. Publication as an International Standard requires approval by at least 75 % of the member bodies casting a vote.

International Standard ISO 5356-1 was prepared by Technical Committee ISO/TC 121, *Anaesthetic and respiratory equipment*, Subcommittee SC 1, *Breathing attachments and anaesthetic machines*.

This second edition cancels and replaces the first edition (ISO 5356-1:1987), which has been technically revised. The major differences between this revision and the amended first edition are the inclusion of requirements for latching connectors of 22 mm size, and the exclusion of requirements for materials and labelling (which will be specified in the appropriate device standards).

ISO 5356 consists of the following parts, under the general title *Anaesthetic and respiratory equipment — Conical connectors*:

- *Part 1: Cones and sockets*
- *Part 2: Screw-threaded weight-bearing connectors*

Annexes A to D form an integral part of this part of ISO 5356. Annexes E to G are for information only.

© ISO 1996

All rights reserved. Unless otherwise specified, no part of this publication may be reproduced or utilized in any form or by any means, electronic or mechanical, including photocopying and microfilm, without permission in writing from the publisher.

International Organization for Standardization
Case Postale 56 • CH-1211 Genève 20 • Switzerland

Printed in Switzerland

Introduction

In clinical practice, several breathing attachments used in anaesthetic and respiratory equipment may have to be joined together to provide a suitable breathing system. Items of medical equipment, such as a humidifier or a spirometer, are often incorporated into the breathing system which may also be connected to an anaesthetic gas scavenging system. Connections for these purposes are usually cone and socket joints, and a lack of standardization of these connections has given rise to problems of interchangeability when connecting equipment made by different manufacturers. This part of ISO 5356 specifies particular requirements and dimensions for conical connectors used in anaesthetic and respiratory equipment.

An important consideration is that conical connections should be secure but nevertheless disconnectable by the operator. The use of connectors meeting the requirements of this part of ISO 5356 will not necessarily prevent them being disconnected accidentally.

Annex A includes a figure and a table detailing plug and ring test gauges that are used to check conical connectors made of materials other than metal. Annex E includes a figure and table detailing plug and ring test gauges that may be used to check metal conical connectors.

Figure 1, detailing the dimensions and tolerances of metal conical connectors, has been prepared in accordance with ISO 3040.

iTeh STANDARD PREVIEW
(standards.iteh.ai)

[ISO 5356-1:1996](https://standards.iteh.ai/catalog/standards/sist/3e7d37a4-0adf-4315-9217-621a0be27f11/iso-5356-1-1996)

<https://standards.iteh.ai/catalog/standards/sist/3e7d37a4-0adf-4315-9217-621a0be27f11/iso-5356-1-1996>

iTeh STANDARD PREVIEW
This page intentionally left blank
(standards.iteh.ai)

ISO 5356-1:1996

<https://standards.iteh.ai/catalog/standards/sist/3e7d37a4-0adf-4315-9217-621a0be27f11/iso-5356-1-1996>

Anaesthetic and respiratory equipment — Conical connectors

Part 1:

Cones and sockets

1 Scope

This part of ISO 5356 specifies dimensional and gauging requirements for cones and sockets intended for connecting anaesthetic and respiratory equipment, e.g. in breathing systems, anaesthetic gas scavenging systems and vaporizers.

This part of ISO 5356 gives requirements for the following conical connectors:

- 15 mm and 22 mm sizes intended for general use in breathing systems;
- 22 mm latching connectors (including performance requirements);
- 23 mm size intended for use with vaporizers; this size is unsuitable for use in breathing systems;
- 30 mm size intended for the connection of a breathing system to an anaesthetic gas scavenging system.

This part of ISO 5356 does not specify the medical devices and accessories on which these connections are to be provided.

Requirements for the application of conical connectors are not included in this part of ISO 5356, but are or will be given in particular International Standards for specific medical devices and accessories.

NOTE — Requirements for screw-threaded weight-bearing conical connectors are specified in ISO 5356-2.

2 Normative references

The following standards contain provisions which, through reference in this text, constitute provisions of this part of ISO 5356. At the time of publication, the editions indicated were valid. All standards are subject to revision, and parties to agreements based on this part of ISO 5356 are encouraged to investigate the possibility of applying the most recent editions of the standards indicated below. Members of IEC and ISO maintain registers of currently valid International Standards.

ISO 4135:1995, *Anaesthesiology — Vocabulary*.

ISO 5367:1991, *Breathing tubes intended for use with anaesthetic apparatus and ventilators*.

IEC 601-1:1988, *Medical electrical equipment — Part 1: General requirements for safety*.

3 Definitions

For the purposes of this part of ISO 5356, the definitions given in ISO 4135 and the following definition apply.

3.1 22-mm latching connector: Female connector for engagement with a male conical connector of 22-mm size complying with this part of ISO 5356, and which has a feature to reduce the possibility of accidental disconnection.

4 Conical connectors made of metal

4.1 General requirements

The dimensions of conical connectors made of metal including those made of composite materials in which the mating surfaces are metal, shall be as shown in figures 1 and 2 and table 1.

NOTES

- 1 See annex E for dimensions of plug and ring gauges for the connectors.
- 2 Conical connectors of 30 mm size are intended for use for the connection of a breathing system to an anaesthetic gas scavenging system.

4.2 Additional requirements for conical connectors of 22 mm size

4.2.1 Male conical connectors of 22 mm size, with the exception of those intended for connection to a face mask, shall incorporate the recess as shown in figure 2 a).

4.2.2 All male connectors to which it is intended to attach a face mask shall incorporate a shoulder or equivalent construction as shown in figure 2 b).

4.2.3 If a circumferential groove or grooves are incorporated in the surface of such a male conical connector, the total width of the groove or grooves at the surface shall not exceed 8 mm.

5 Conical connectors made of materials other than metal

5.1 General requirements

Conical connectors made of materials other than metal shall meet the following requirements when they are type-tested with gauges having dimensions as shown in figure A.1 and table A.1.

- a) Conical connectors made of materials other than metal shall meet the dimensional requirements in figure 1 and table 1, with the exception that dimensions *A* and *B* and ratio *F* may vary from those shown.
- b) When the connector is engaged in the appropriate plug or ring test gauge shown in figure A.1 and table A.1, by applying an axial force of $(35 \pm 3,5)$ N for 15 mm connectors and (50 ± 5) N for 22 mm and 30 mm connectors and, while maintaining the same force, rotating the connector up to 20° , its leading edge shall lie between the minimum and maximum diameter steps of the gauge. The connectors and gauges shall be maintained at a temperature of (20 ± 3) °C during the test.

NOTE — Because connectors made from plastics materials, for example polyamide, polyacetal, polycarbonate, polysulfone, etc., may vary greatly in their physical characteristics, it is not considered practicable to specify their dimensions; for this reason, gauging requirements have been included. It is also considered impracticable to generalize on matters such as cold flow and thermal instability, as well as possible changes in physical characteristics, contact with solvents, etc.

It is the responsibility of the manufacturer to ensure that adequate tests have been carried out to prove as far as possible that the particular materials chosen for the connectors are suitable.

5.2 Additional requirements for conical connectors of 22 mm size

The requirements given in 4.2 apply.

6 22-mm latching connectors

6.1 22-mm latching connectors shall engage with the 22-mm male connector with a recess as specified in figure 2 a).

6.2 When tested in accordance with annex B, the engaged connection shall not become disconnected.

6.3 When tested in accordance with annex C, the leakage rate from the engaged connectors shall not exceed 5 ml/min (corrected to 20 °C and 101,3 kPa).

6.4 After being subjected to the procedure described in annex D, the 22-mm latching connector shall still meet the requirements specified in 6.1, 6.2 and 6.3.

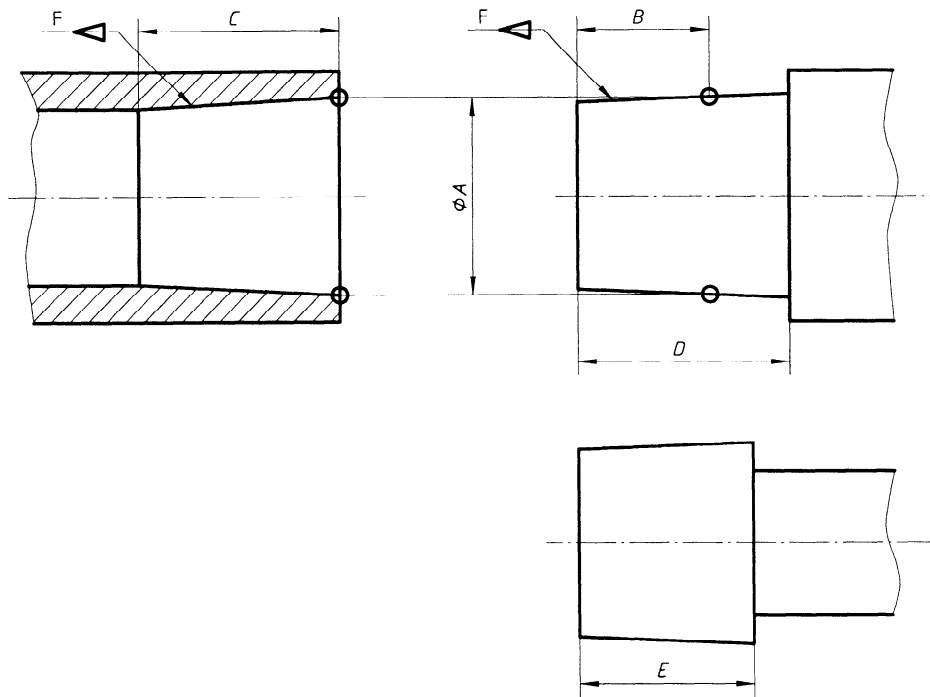
6.5 22-mm latching connectors intended for re-use shall meet the requirements specified in 6.1, 6.2, 6.3 and 6.4 after being subjected to the cleaning, disinfection or sterilization procedures specified in IEC 601-1:1988, subclause 44.7.

iTeh STANDARD PREVIEW
(standards.iteh.ai)

ISO 5356-1:1996

<https://standards.iteh.ai/catalog/standards/sist/3e7d37a4-0adf-4315-9217-621a0be27f11/iso-5356-1-1996>

Dimensions in millimetres



NOTE — Maximum radius on the entrance to the female connector and on the leading edge of the male cone should be not less than 0,5 mm and not more than 0,8 mm.

Figure 1 — Conical connectors made of metal

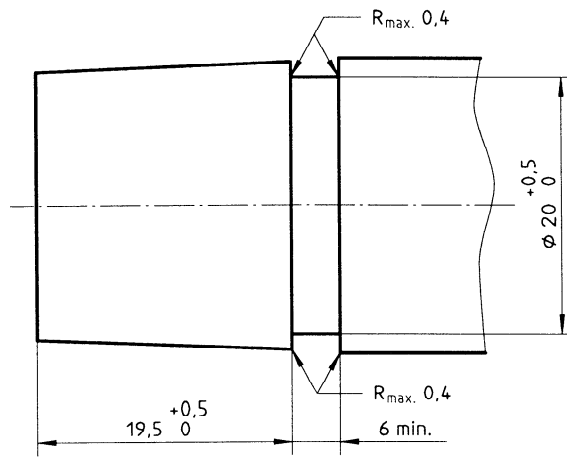
ISO 5356-1:1996

<https://standards.iteh.ai/catalog/standards/sist/3e7d37a4-0adf-4315-9217-621a0be27f11/iso-5356-1-1996>

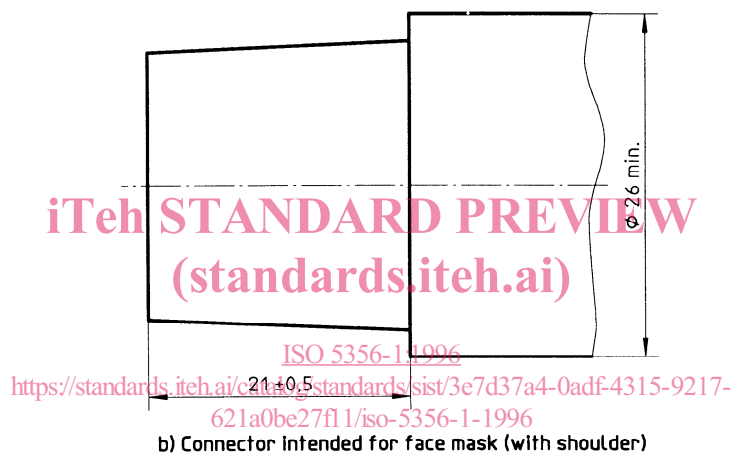
Table 1 — Conical connectors made of metal — Dimensions

Connector size	A mm	B mm	C Minimum length of taper mm	D Clearance to shoulder (if present) mm	E Length to taper	F
15 mm	15,47 ± 0,04	10	16	16 min.	14,5 min.	1:40
22 mm	22,37 ± 0,04	15	21	see figure 2	see figure 2	1:40
23 mm	23,175 ± 0,02	13	18	18 min.	15 min.	1:36
30 mm	30,9 ± 0,05	14	18	18 min.	14 min.	1:20

Dimensions in millimetres



a) Connector intended for breathing attachment (with recess)



b) Connector intended for face mask (with shoulder)

NOTE — Circumferential grooves may be incorporated on the surface of the male cone, if required (see 4.2.3).

Figure 2 — Conical connectors of 22-mm size made of metal — Supplementary dimensions

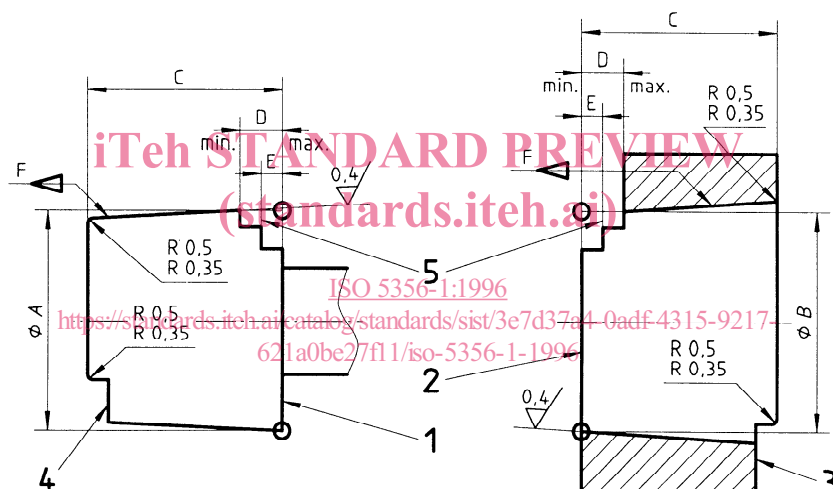
Annex A (normative)

Plug and ring test gauges for conical connectors made of materials other than metal

A.1 General

Figure A.1 and table A.1 give details of plug and ring gauges for use in checking conical connectors made of materials other than metals.

Dimensions in millimetres
Surface roughness values in micrometres



- 1 Face A
- 2 Face B
- 3 Step to check mating gauges ground flush to face A
- 4 Step to check mating gauges ground flush to face B
- 5 Basic steps

NOTE — Basic and mating gauge steps are optional.

Figure A.1 — Plug and ring test gauges for conical connectors made of materials other than metal

Table A.1 — Plug and ring test gauges for conical connectors made of materials other than metal — Dimensions

Connector size	A mm	B mm	C mm	D mm	E mm	F	Tolerance on taper per unit of length on diameter mm
15 mm	$15,525 \pm 0,005$	$15,165 \pm 0,005$	$14,5 \pm 0,005$	$4,3 \pm 0,005$	$2,2 \pm 0,005$	1:40	$0,025 \pm 0,000 2$
22 mm	$22,425 \pm 0,005$	$21,94 \pm 0,005$	$19,5 \pm 0,005$	$5,2 \pm 0,005$	$2,2 \pm 0,005$	1:40	$0,025 \pm 0,000 2$
30 mm	$30,98 \pm 0,005$	$30,12 \pm 0,005$	$15 \pm 0,005$	$3,1 \pm 0,005$	$1,6 \pm 0,005$	1:20	$0,050 \pm 0,000 2$

Annex B

(normative)

Test for security of engagement of 22-mm latching connector to male conical connector

- B.1** Condition a male 22-mm conical connector complying with figure 2 a) and the 22-mm latching connector for 1 h at a temperature of (35 ± 3) °C and relative humidity of at least 80 %, and carry out the test under the same conditions.
- B.2** Engage the 22-mm latching connector with the male connector in accordance with the manufacturer's instructions.
- B.3** After 1 min of engagement without activation of any disengagement mechanism, apply for 10 s an axial separation force of (50 ± 5) N and, unless the 22-mm latching connector permits free radial rotation, also apply a torque of (25 ± 5) N·cm at a rate not exceeding 20 N·s⁻¹.
- B.4** Observe whether the assembled connectors become disconnected.

NOTE — Examples of suitable apparatus that can be used to test security of engagement, together with a more detailed test procedure, are given for information in annex F.

[ISO 5356-1:1996](https://standards.iteh.ai/catalog/standards/sist/3e7d37a4-0adf-4315-9217-621a0be27f11/iso-5356-1-1996)

<https://standards.iteh.ai/catalog/standards/sist/3e7d37a4-0adf-4315-9217-621a0be27f11/iso-5356-1-1996>