



SLOVENSKI STANDARD SIST EN 60745-2-19:2009

01-december-2009

BUXca Yý U
SIST EN 60745-2-19:2005

9`Y_hf] bUfc bUcfcX^U!`JUfbcgh!`&!% "XY. `DcgYVbY`nU hYj Y`nUfYnUb]_Y`n
fYnUbc`d`cý c`nUfYnUb^Y`fYy`]b`i hcfcj`f197`* \$+() !&!% .&\$) žgdfYa Yb^YbŁ

Hand-held motor-operated electric tools - Safety -- Part 2-19: Particular requirements for jointers

Handgeführte motorbetriebene Elektrowerkzeuge - Sicherheit -- Teil 2-19: Besondere Anforderungen für Flachdübelfräsen

Outils électroportatifs à moteur - Sécurité -- Partie 2-19: Règles particulières pour les mortaiseuses

<https://standards.iteh.ai/catalog/standards/sist/06ad6d5b-d154-4032-91d1-6cf748c716bf/sist-en-60745-2-19-2009>

Ta slovenski standard je istoveten z: EN 60745-2-19:2009

ICS:

25.100.01	Rezalna orodja na splošno	Cutting tools in general
25.140.20	Ò^ dā } æ ! [å æ	Electric tools

SIST EN 60745-2-19:2009

en,fr,de

iTeh STANDARD PREVIEW
(standards.iteh.ai)

SIST EN 60745-2-19:2009

<https://standards.iteh.ai/catalog/standards/sist/06ad6d5b-d154-4032-91d1-6cf748c716bf/sist-en-60745-2-19-2009>

EUROPEAN STANDARD
NORME EUROPÉENNE
EUROPÄISCHE NORM

EN 60745-2-19

July 2009

ICS 25.140.20

Supersedes EN 60745-2-19:2005 + A11:2007

English version

**Hand-held motor-operated electric tools -
Safety -
Part 2-19: Particular requirements for jointers
(IEC 60745-2-19:2005, modified)**

Outils électroportatifs à moteur -
Sécurité -
Partie 2-19: Règles particulières
pour les mortaiseuses
(CEI 60745-2-19:2005, modifiée)

Handgeführte motorbetriebene
Elektrowerkzeuge -
Sicherheit -
Teil 2-19: Besondere Anforderungen
für Flachdübelfräsen
(IEC 60745-2-19:2005, modifiziert)

iTeh STANDARD PREVIEW
(standards.iteh.ai)

This European Standard was approved by CENELEC on 2009-06-01. CENELEC members are bound to comply with the CEN/CENELEC Internal Regulations which stipulate the conditions for giving this European Standard the status of a national standard without any alteration.

Up-to-date lists and bibliographical references concerning such national standards may be obtained on application to the Central Secretariat or to any CENELEC member.

This European Standard exists in three official versions (English, French, German). A version in any other language made by translation under the responsibility of a CENELEC member into its own language and notified to the Central Secretariat has the same status as the official versions.

CENELEC members are the national electrotechnical committees of Austria, Belgium, Bulgaria, Cyprus, the Czech Republic, Denmark, Estonia, Finland, France, Germany, Greece, Hungary, Iceland, Ireland, Italy, Latvia, Lithuania, Luxembourg, Malta, the Netherlands, Norway, Poland, Portugal, Romania, Slovakia, Slovenia, Spain, Sweden, Switzerland and the United Kingdom.

CENELEC

European Committee for Electrotechnical Standardization
Comité Européen de Normalisation Electrotechnique
Europäisches Komitee für Elektrotechnische Normung

Central Secretariat: Avenue Marnix 17, B - 1000 Brussels

Foreword

The text of the International Standard IEC 60745-2-19:2005, prepared by IEC SC 61F, (transformed into IEC TC 116, Safety of hand-held motor-operated electric tools), together with common modifications prepared by the Technical Committee CENELEC TC 61F (transformed into TC 116), Safety of hand-held motor-operated electric tools, was submitted to the formal vote and was approved by CENELEC as EN 60745-2-19 on 2005-06-01.

A draft amendment (prAA) was prepared to align Subclause 6.2 with the new Subclause 6.2 in EN 60745-1. Moreover, vibration values determined with the new 6.2 are complying with the requirements of the Physical Agents Directive Vibration 2002/44/EC. The text of the draft was submitted to the Unique Acceptance Procedure and was approved by CENELEC as amendment A11 to EN 60745-2-19:2005 on 2007-07-01.

A further draft amendment (prAB), extending Annex ZZ to include the new MD 2006/42/EC, was submitted to the formal vote.

The combined texts were approved by CENELEC as a new edition of EN 60745-2-19 on 2009-06-01.

This European Standard supersedes EN 60745-2-19:2005 + A11:2007.

The following dates were fixed:

- latest date by which the EN has to be implemented at national level by publication of an identical national standard or by endorsement (dop) 2009-12-29
- latest date by which the national standards conflicting with the EN have to be withdrawn (dow) 2009-12-29

<https://standards.iteh.ai/catalog/standards/sist/06ad6d5b-d154-4032-748c716bf/sist-en-60745-2-19-2009>

This standard is divided into two parts:

Part 1: General requirements which are common to most hand-held electric motor operated tools (for the purpose of this standard referred to simply as tools) which could come within the scope of this standard;

Part 2: Requirements for particular types of tools which either supplement or modify the requirements given in Part 1 to account for the particular hazards and characteristics of these specific tools.

This European Standard has been prepared under a mandate given to CENELEC by the European Commission and the European Free Trade Association and supports the essential requirements of EC Directive 98/37/EC (Machinery Directive), amended by EC Directive 98/79/EC, and 2006/42/EC. See Annexes ZZA and ZZB.

Warning: Other requirements and other EC Directives can be applicable to the products falling within the scope of this standard.

This standard follows the overall requirements of EN ISO 12100-1 and EN ISO 12100-2.

This Part 2-19 is to be used in conjunction with EN 60745-1:2009. When this standard states "addition", "modification" or "replacement", the relevant text of Part 1 is to be adapted accordingly.

Subclauses, tables and figures which are additional to those in Part 1 are numbered starting from 101.

Subclauses, tables and figures which are additional to those in IEC 60745-2-19 are prefixed "Z".

Annexes ZA, ZZA and ZZB have been added by CENELEC.

NOTE In this standard the following print types are used:

- requirements proper; in roman type
 - *test specifications: in italic type;*
 - explanatory matter: in smaller roman type.
-

iTeh STANDARD PREVIEW (standards.iteh.ai)

SIST EN 60745-2-19:2009

<https://standards.iteh.ai/catalog/standards/sist/06ad6d5b-d154-4032-91d1-6cf748c716bf/sist-en-60745-2-19-2009>

Endorsement notice

The text of the International Standard IEC 60745-2-19:2005 was approved by CENELEC as a European Standard with agreed common modifications as given below.

COMMON MODIFICATIONS

2 Normative references

Replace by:

This clause of Part 1 is applicable except as follows:

Addition:

EN 847-1:1997, *Tools for woodworking - Safety requirements - Part 1: Milling tools and circular saw blades*

6 Void

Replace by:

6 Environmental requirements

This clause of Part 1 is applicable except as follows:

6.1.2.4 *Modification:*

Jointers are suspended. The base plate shall be horizontal.

6.1.2.5 *Modification:*

Jointers are tested at no-load.

6.2.4.2 **Location of the measurement**

Addition:

Figure Z101 shows the positions at both handles.

6.2.6.3 **Operating conditions**

Modification:

Jointers are tested under load observing the conditions shown in Table Z101.

Table Z101 – Test conditions

Orientation	Cutting grooves in a horizontal piece of medium density fibreboard (MDF) having the minimum dimensions 400 mm (length) x 400 mm (width) x 30 mm (thickness). The board is fixed to a work bench by screws or clamps with a resilient material between bench and workpiece.
Tool bit	Disc cutter with 4 mm thickness specified for MDF
Feed force	As necessary for working smoothly without overloading the machine. Apply equal force to both handles avoiding excessive gripping forces.
Test cycle	One test cycle consists of cutting a single groove 4 mm wide and 12 mm deep into an edge of the MDF not less than 400 mm in length. Measurement starts when the cutter enters the MDF and stops when the cutter leaves the MDF.

6.2.7.2 Declaration of the vibration total value*Addition:*

The vibration total value a_h of the handle with the highest emission and the uncertainty K shall be declared.

8 Marking and instructions**8.12.2 a) Add:**

Z101) information on the correct use of dust collection system.

Z102) advice to wear a dust mask.

19 Mechanical hazards*Add the following new subclause:***19.Z101 Disk cutter**

The disk cutter(s) delivered with the tool shall comply with EN 847-1.

Compliance is checked by inspection.

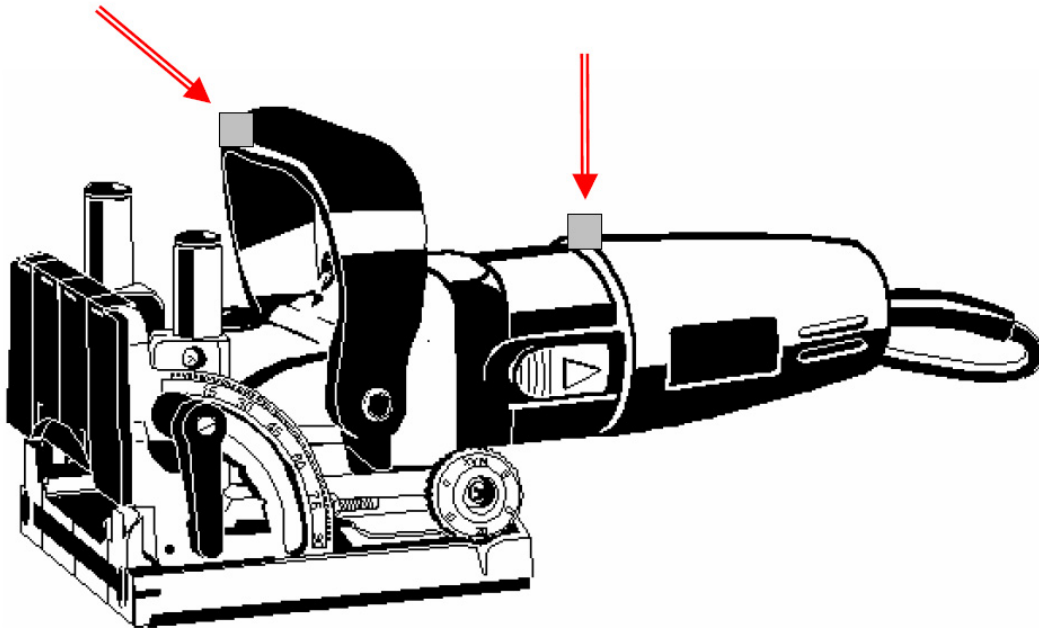
21 Construction*Replace by:*

This clause of Part 1 is applicable except as follows:

21.Z1 Addition:

Jointers are considered to be tools where a considerable amount of dust is produced.

Add the following new figure:



iTeh STANDARD PREVIEW

(standards.iteh.ai)

Detail of transducers
(measurement in axes X, Y, Z)

[SIST EN 60745-2-19:2009](https://standards.iteh.ai/catalog/standards/sist/06ad6d5b-d154-4032-91d1-6cf748c716bf/sist-en-60745-2-19-2009)

<https://standards.iteh.ai/catalog/standards/sist/06ad6d5b-d154-4032-91d1-6cf748c716bf/sist-en-60745-2-19-2009>



Figure Z101 - Transducer positions

Add the following annexes:

Annex ZA
(normative)

**Normative references to international publications
with their corresponding European publications**

The following referenced documents are indispensable for the application of this document. For dated references, only the edition cited applies. For undated references, the latest edition of the referenced document (including any amendments) applies.

NOTE Where an International Publication has been modified by common modifications, indicated by (mod), the relevant EN/HD applies.

<u>Publication</u>	<u>Year</u>	<u>Title</u>	<u>EN/HD</u>	<u>Year</u>
–	–	Tools for woodworking - Safety requirements - Part 1: Milling tools and circular saw blades	EN 847-1	1997

iTeh STANDARD PREVIEW
(standards.iteh.ai)

[SIST EN 60745-2-19:2009](https://standards.iteh.ai/catalog/standards/sist/06ad6d5b-d154-4032-91d1-6cf748c716bf/sist-en-60745-2-19-2009)

<https://standards.iteh.ai/catalog/standards/sist/06ad6d5b-d154-4032-91d1-6cf748c716bf/sist-en-60745-2-19-2009>

Annex ZZ
(informative)**Coverage of Essential Requirements of EC Directives****Annex ZZA**
(informative)**Coverage of Essential Requirements of Directive 98/37/EC**

This European Standard has been prepared under a mandate given to CENELEC by the European Commission and the European Free Trade Association and within its scope the standard covers all relevant Essential Requirements as given in EC Directive 98/37/EC (Machinery Directive), amended by Directive 98/79/EC.

Compliance with this standard provides one means of conformity with the specified essential requirements of the Directives concerned.

WARNING: Other requirements and other EC Directives may be applicable to the products falling within the scope of this standard.

iTeh STANDARD PREVIEW

(standards.iteh.ai)

Annex ZZB
(informative)

SIST EN 60745-2-19:2009

Coverage of Essential Requirements of Directive 2006/42/EC

<https://standards.iteh.ai/catalog/standards/sist/6e1fd0-1154-022-91d1-6cf748c716bf/sist-en-60745-2-19-2009>

This European Standard has been prepared under a mandate given to CENELEC by the European Commission and the European Free Trade Association and within its scope the standard covers all relevant Essential Requirements as given in EC Directive 2006/42/EC (Machinery Directive).

Compliance with this standard provides one means of conformity with the specified essential requirements of the Directive concerned.

WARNING: Other requirements and other EC Directives may be applicable to the products falling within the scope of this standard.

NORME
INTERNATIONALE
INTERNATIONAL
STANDARD

CEI
IEC

60745-2-19

Première édition
First edition
2005-01

**Outils électroportatifs à moteur –
Sécurité –**

**Partie 2-19:
Règles particulières pour les mortaiseuses**

iTeh STANDARD PREVIEW

**Hand-held motor-operated electric tools –
Safety –**

[SIST EN 60745-2-19:2009](http://standards.iteh.ai/catalog/standards/sist/06ad6d5b-d154-4032-91d1-6cf748c716bf/sist-en-60745-2-19-2009)

<http://standards.iteh.ai/catalog/standards/sist/06ad6d5b-d154-4032-91d1-6cf748c716bf/sist-en-60745-2-19-2009>

**Part 2-19:
Particular requirements for jointers**

© IEC 2005 Droits de reproduction réservés — Copyright - all rights reserved

Aucune partie de cette publication ne peut être reproduite ni utilisée sous quelque forme que ce soit et par aucun procédé, électronique ou mécanique, y compris la photocopie et les microfilms, sans l'accord écrit de l'éditeur.

No part of this publication may be reproduced or utilized in any form or by any means, electronic or mechanical, including photocopying and microfilm, without permission in writing from the publisher.

International Electrotechnical Commission, 3, rue de Varembe, PO Box 131, CH-1211 Geneva 20, Switzerland
Telephone: +41 22 919 02 11 Telefax: +41 22 919 03 00 E-mail: inmail@iec.ch Web: www.iec.ch



Commission Electrotechnique Internationale
International Electrotechnical Commission
Международная Электротехническая Комиссия

CODE PRIX
PRICE CODE

L

*Pour prix, voir catalogue en vigueur
For price, see current catalogue*