

INTERNATIONAL
STANDARD

ISO
13553

First edition
1994-10-01

**Textile machinery and accessories —
Weaver's beams — Specification for
connections for automation of beam
changing**

iTeh STANDARD PREVIEW

(standards.iteh.ai)

*Matériel pour l'industrie textile — Ensouples de tissage —
Caractéristiques dimensionnelles de raccordement pour changement
automatisé des ensouples*

<https://standards.iteh.ai/catalog/standards/sist/c566c0d4-c59a-4898-9b7a-40750602c1e/iso-13553-1994>

INTERNATIONAL

ISO



Reference number
ISO 13553:1994(E)

Foreword

ISO (the International Organization for Standardization) is a worldwide federation of national standards bodies (ISO member bodies). The work of preparing International Standards is normally carried out through ISO technical committees. Each member body interested in a subject for which a technical committee has been established has the right to be represented on that committee. International organizations, governmental and non-governmental, in liaison with ISO, also take part in the work. ISO collaborates closely with the International Electrotechnical Commission (IEC) on all matters of electrotechnical standardization.

Draft International Standards adopted by the technical committees are circulated to the member bodies for voting. Publication as an International Standard requires approval by at least 75 % of the member bodies casting a vote.

International Standard ISO 13553 was prepared by Technical Committee ISO/TC 72, *Textile machinery and allied machinery and accessories*, Subcommittee SC 3, *Machinery for fabric manufacture*. [ISO 13553:1994](#)

<https://standards.iteh.ai/catalog/standards/sist/e560c0d4-c59a-4898-9b7a-40750602cffe/iso-13553-1994>

© ISO 1994

All rights reserved. Unless otherwise specified, no part of this publication may be reproduced or utilized in any form or by any means, electronic or mechanical, including photocopying and microfilm, without permission in writing from the publisher.

International Organization for Standardization
Case Postale 56 • CH-1211 Genève 20 • Switzerland

Printed in Switzerland

Textile machinery and accessories — Weaver's beams — Specification for connections for automation of beam changing

1 Scope

This International Standard provides specifications for the connections of weaver's beams for the purposes of automation of beam changing.

This permits the beams on different weaving machines to be changed in a uniform manner.

2 Normative references

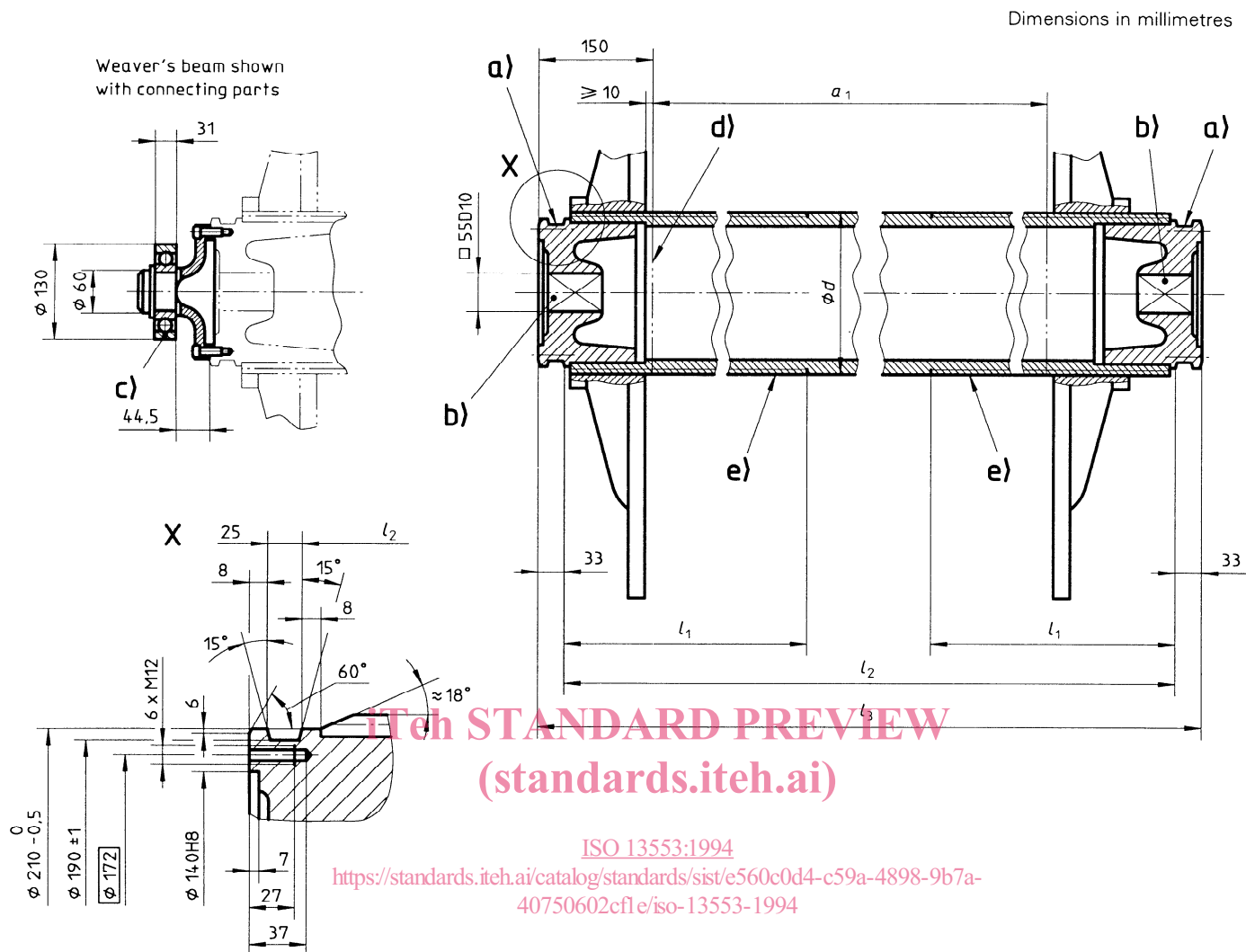
The following standards contain provisions which, through reference in this text, constitute provisions of this International Standard. At the time of publication, the editions indicated were valid. All standards are subject to revision, and parties to agreements based on this International Standard are encouraged to investigate the possibility of applying the most recent editions of the standards indicated below. Members of IEC and ISO maintain registers of currently valid International Standards.

ISO 109:1982, *Textile machinery — Working widths of weaving machines*.

ISO 6175:1983, *Textile machinery and accessories — Recommended profile threads for weaver's beams*.

3 Specifications for weaver's beam connections

Specifications for weaver's beam connections for automatic beam changing are given in figure 1 and table 1.



- Key**
- a) Transporting and gliding
 - b) Driving or bearing
 - c) Bearing
 - d) Position of first warp thread
 - e) Thread type 1 or 2 in accordance with ISO 6175 (for $d = 269$ mm the thread is not yet standardized)

Figure 1 — Weaver's beams and connections for automatic changing

Table 1 — Dimensions of weaver's beams for automatic changing

Dimensions in millimetres

Barrel diameter, d	216 269	
a_1	Maximum working width in accordance with ISO 109	
l_1	$a_1 \leq 1\ 800$	600
	$1\ 900 \leq a_1 \leq 2\ 500$	885
	$a_1 > 2\ 500$	1 150
l_2	$a_1 + 300$	
$l_3 \pm 1$	$a_1 + 366$	

iTeh STANDARD PREVIEW

This page intentionally left blank
(standards.iteh.ai)

[ISO 13553:1994](#)

<https://standards.iteh.ai/catalog/standards/sist/e560c0d4-c59a-4898-9b7a-40750602c1e/iso-13553-1994>

iTeh STANDARD PREVIEW

This page intentionally left blank
(standards.iteh.ai)

ISO 13553:1994

<https://standards.iteh.ai/catalog/standards/sist/e560c0d4-c59a-4898-9b7a-40750602c1e/iso-13553-1994>

iTeh STANDARD PREVIEW

This page intentionally left blank
(standards.iteh.ai)

[ISO 13553:1994](#)

<https://standards.iteh.ai/catalog/standards/sist/e560c0d4-c59a-4898-9b7a-40750602c1e/iso-13553-1994>

iTeh STANDARD PREVIEW
(standards.iteh.ai)

ISO 13553:1994

<https://standards.iteh.ai/catalog/standards/sist/e560c0d4-c59a-4898-9b7a-40750602c1e/iso-13553-1994>

ICS 59.120.20

Descriptors: textile machinery, weaving, beams (textile machinery), dimensions, connecting dimensions, automation.

Price based on 2 pages
