



SLOVENSKI STANDARD
SIST EN 12586:2002/AC:2003
01-maj-2003

Izdelki za otroke - Držalo dude - Varnostne zahteve in preskusne metode

Child care articles - Soother holder - Safety requirements and test methods

Artikel für Säuglinge und Kleinkinder - Schnullerhalter - Sicherheitstechnische Anforderungen und Prüfverfahren

Articles de puériculture - Attache sucette - Exigences de sécurité et méthodes d'essai

ITC STANDARD PREVIEW
(standards.iteh.ai)

Ta slovenski standard je istoveten z: EN 12586:1999/AC:2002

[SIST EN 12586:2002/AC:2003](https://standards.iteh.ai/catalog/standards/sis/4ba46314-3d9c-4ec6-b4c9-2317c102efd1/sist-en-12586-2002-ac-2003)

<https://standards.iteh.ai/catalog/standards/sis/4ba46314-3d9c-4ec6-b4c9-2317c102efd1/sist-en-12586-2002-ac-2003>

ICS:

97.190 Otroška oprema Equipment for children

SIST EN 12586:2002/AC:2003 en

iTeh STANDARD PREVIEW
(standards.iteh.ai)

SIST EN 12586:2002/AC:2003

<https://standards.iteh.ai/catalog/standards/sist/4ba46314-3d9c-4ec6-b4c9-2317c102efd1/sist-en-12586-2002-ac-2003>

EUROPEAN STANDARD

EN 12586:1999/AC

NORME EUROPÉENNE

July 2002

Juillet 2002

EUROPÄISCHE NORM

Juli 2002

ICS 97.190

English version
Version Française
Deutsche Fassung

Child care articles - Soother holder - Safety requirements and test methods

Articles de puériculture - Attache sucette - Exigences de sécurité et méthodes d'essai

Artikel für Säuglinge und Kleinkinder - Schnullerhalter - Sicherheitstechnische Anforderungen und Prüfverfahren

This corrigendum becomes effective on 24 July 2002 for incorporation in the three official language versions of the EN.

Ce corrigendum prendra effet le 24 juillet 2002 pour incorporation dans les trois versions linguistiques officielles de l'EN.

Die Berichtigung tritt am 24. Juli 2002 zur Einarbeitung in die drei offiziellen Sprachfassungen der EN in Kraft.



EUROPEAN COMMITTEE FOR STANDARDIZATION
COMITÉ EUROPÉEN DE NORMALISATION
EUROPÄISCHES KOMITEE FÜR NORMUNG

Management Centre: rue de Stassart, 36 B-1050 Brussels

© 2002 CEN All rights of exploitation in any form and by any means reserved worldwide for CEN national Members.
Tous droits d'exploitation sous quelque forme et de quelque manière que ce soit réservés dans le monde entier aux membres nationaux du CEN.
Alle Rechte der Verwertung, gleich in welcher Form und in welchem Verfahren, sind weltweit den nationalen Mitgliedern von CEN vorbehalten.

Ref. No. EN 12586:1999/AC:2002 D/E/F

English version

Contents

In the last sentence, “Annex A (informative)” has to be replaced by “Bibliography”

2 Normative References

At the end of the standard paragraph, “(including amendments)” has to be added.

For EN 71-1, the date has to be added as follows: “EN 71-1:1998”

3.1 At the end of the definition, “etc” has to be deleted.

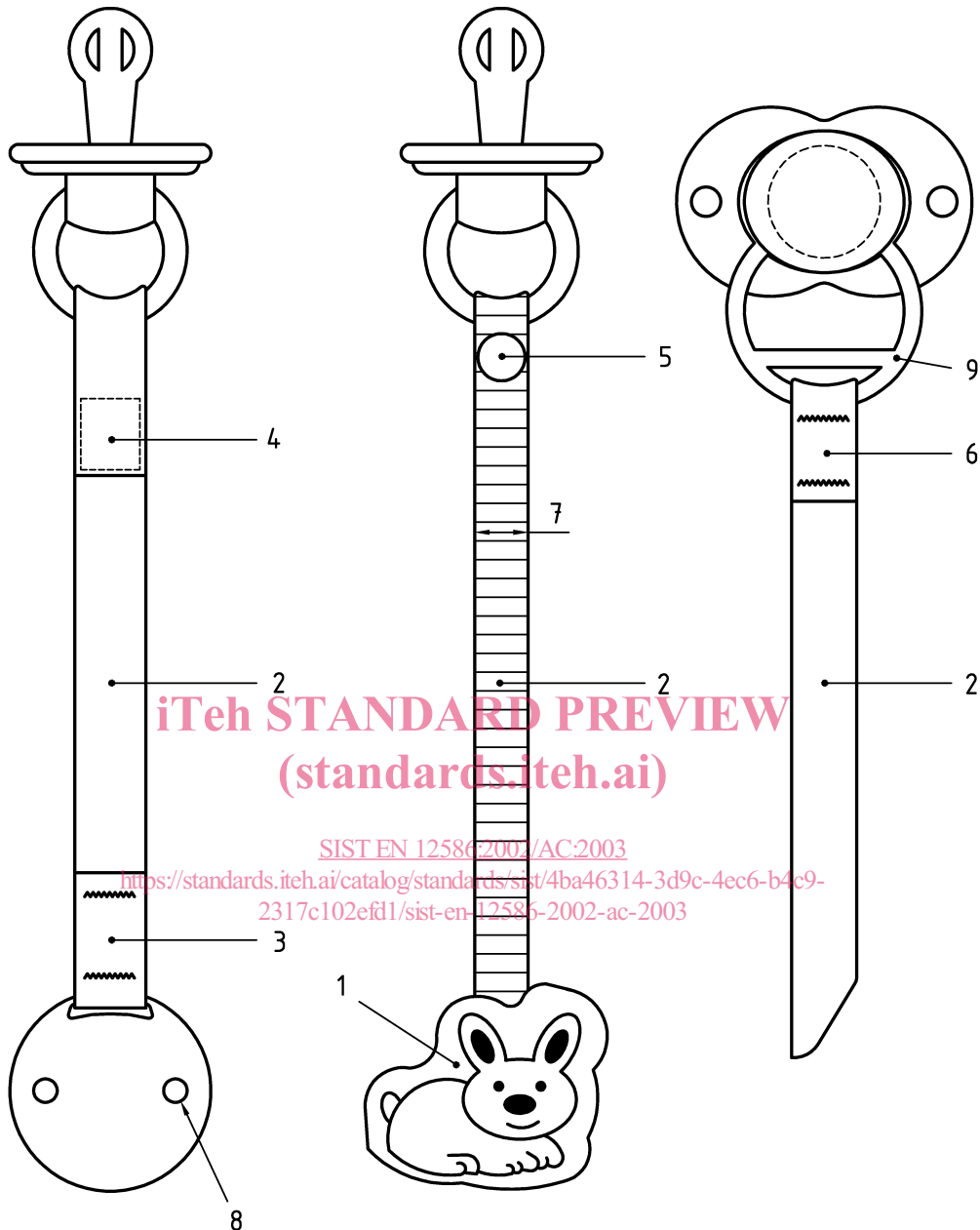
3.2 At the end of the definition, “etc” has to be deleted.

4 Description of a soother holder

At the end of each dash, “(1)”, “(2)” and “(3)” have to be deleted.

ITEH STANDARD PREVIEW
(standards.iteh.ai)
SIST EN 12586:2002/AC:2003
<https://standards.iteh.ai/catalog/standards/sist/4ba46314-3d9c-4ec6-b4c9-2317c102efd1/sist-en-12586-2002-ac-2003>

Figure 1 has to be replaced by the following and the following key has to be added:



iTeh STANDARD PREVIEW
(standards.iteh.ai)

SIST EN 12586:2002/AC:2003

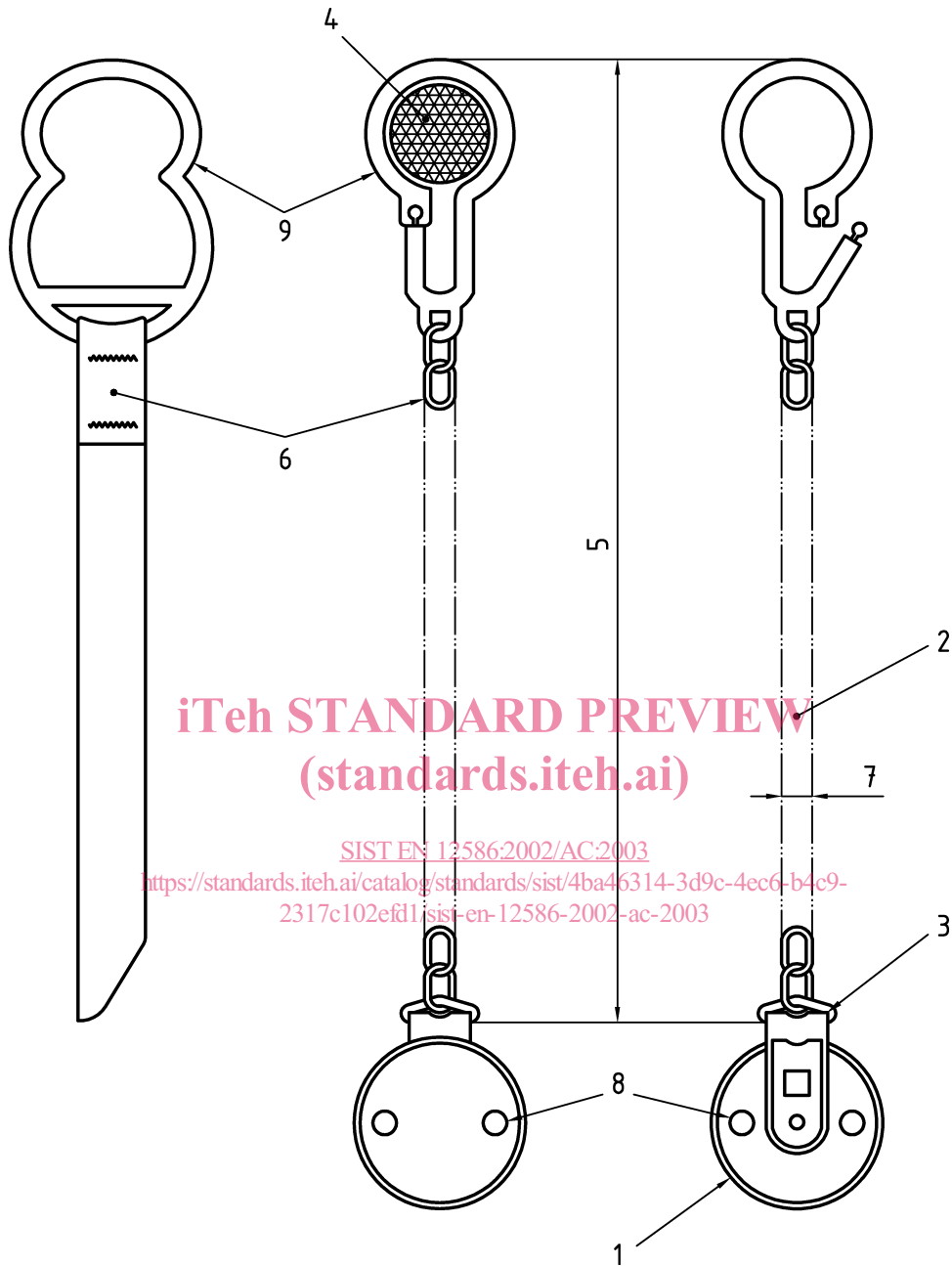
<https://standards.iteh.ai/catalog/standards/sist/4ba46314-3d9c-4ec6-b4c9-2317c102efd1/sist-en-12586-2002-ac-2003>

Key

- 1 garment fastener
- 2 strap
- 3 permanently secured
- 4 touch-and-close fastener
- 5 press stud
- 6 permanently secured to soother fastener
- 7 minimum width 6 mm
- 8 ventilation holes
- 9 soother fastener

Figure 1 – Examples of soother holders assembled with soothers

Figure 2 has to be replaced by the following and the following key has to be added:

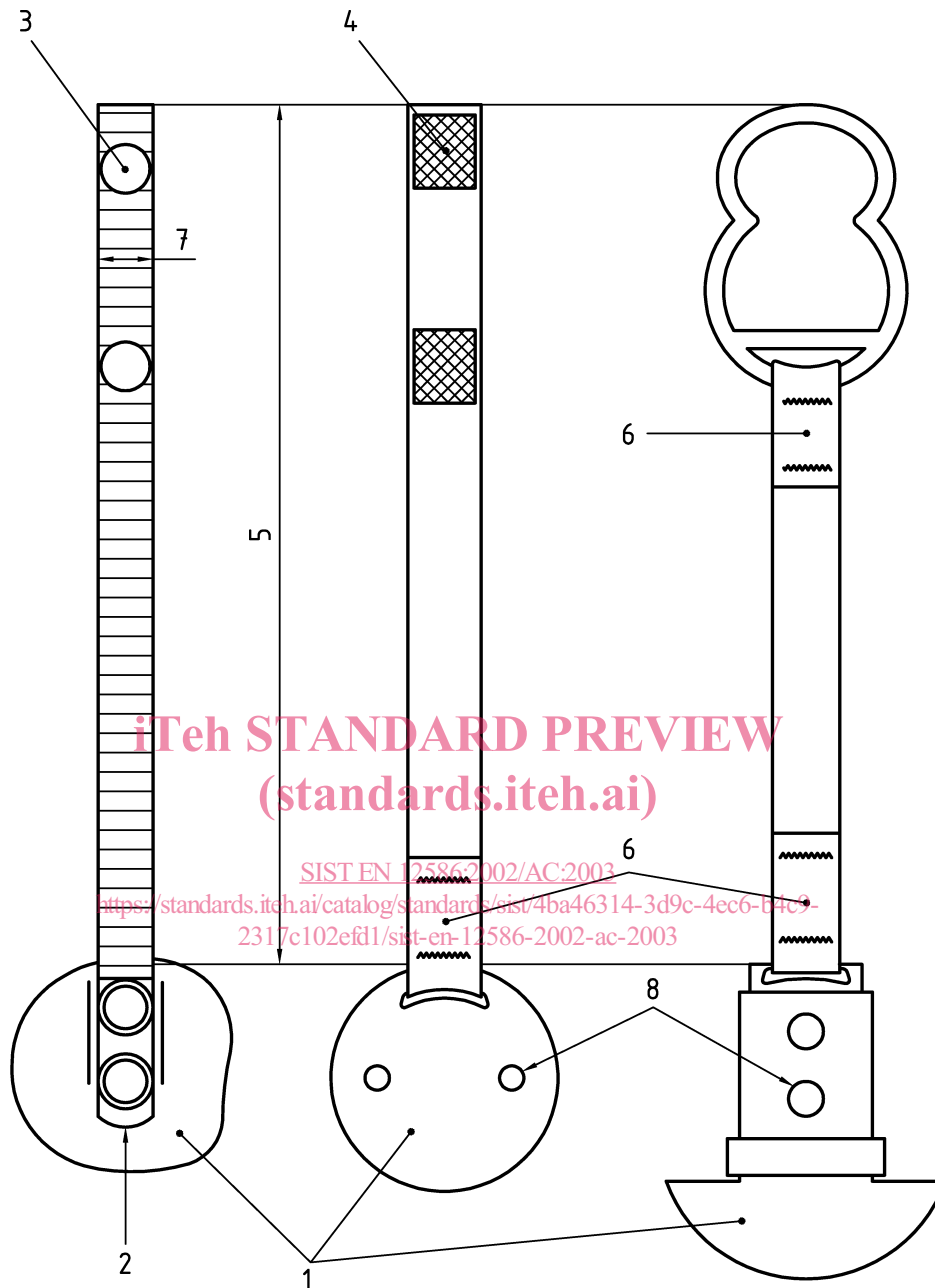


Key

- 1 garment fastener
- 2 strap
- 3 clothing fastener device
- 4 12 mm diameter rod
- 5 max. length 220 mm
- 6 permanently secured
- 7 minimum width 6 mm
- 8 ventilation holes
- 9 soother fastener

Figure 2 – Examples of soother holders and measurements

Figure 3 has to be replaced by the following and the following key has to be added:



Key

- 1 garment fastener
- 2 clothing fastener device
- 3 press stud
- 4 touch-and-close fastener
- 5 max length 220 mm
- 6 permanently secured
- 7 minimum width 6 mm
- 8 ventilation holes

Figure 3 – Examples of soother holders showing their free length

EN 12586:1999/AC:2002 (E/F/D)

5.1.2 Sharp points and sharp edges

EN 71-1 has to be dated as follows: “EN 71-1:1998”.

5.1.8 Size of garment and soother fasteners

EN 71-1 has to be dated as follows: “EN 71-1:1998”.

5.1.9 Permanent attachment of fasteners

In the first, second and third paragraphs, EN 71-1 has to be dated as follows: “EN 71-1:1998”.

5.1.10 Ventilation holes in fasteners

In the first paragraph, EN 71-1 has to be dated as follows: “EN 71-1:1998”.

iTeh STANDARD PREVIEW (standards.iteh.ai)

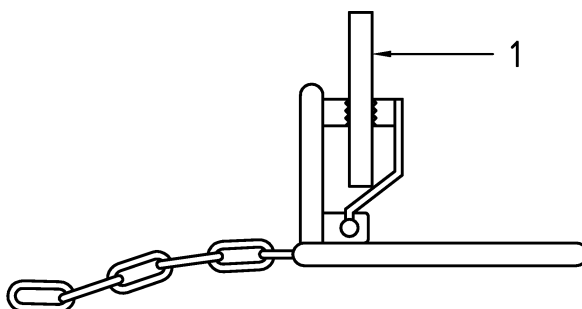
[SIST EN 12586:2002/AC:2003](https://standards.iteh.ai/catalog/standards/sist/4ba46314-3d9c-4ec6-b4c9-2317c102efd1/sist-en-12586-2002-ac-2003)

<https://standards.iteh.ai/catalog/standards/sist/4ba46314-3d9c-4ec6-b4c9-2317c102efd1/sist-en-12586-2002-ac-2003>

6.1.5 Garment fastener durability test

Figure 4 has to be replaced by the following and the following key has to be added:

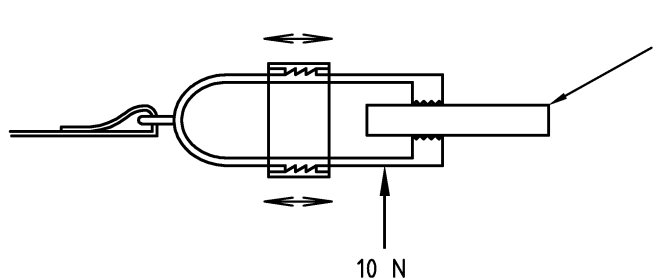
a) toggle type



b) closed type



c) open type



Key

- 1 3 mm plate
- 2 spring

Figure 4 – Examples of garment fastener durability test – Description of measurement