
Aerospace — Nuts, bihexagonal, self-locking, with counterbore and MJ threads, classifications:

1 100 MPa (at ambient temperature)/425 °C,

1 100 MPa (at ambient temperature)/650 °C,

1 210 MPa (at ambient temperature)/425 °C,

1 210 MPa (at ambient temperature)/730 °C,

1 550 MPa (at ambient temperature)/235 °C,

1 550 MPa (at ambient temperature)/425 °C

and

1 550 MPa (at ambient temperature)/600 °C

— Dimensions

Aéronautique et espace — Écrous bihexagonaux à freinage interne, avec chambrage et filetage MJ, classifications: 1 100 MPa (à température ambiante)/425 °C, 1 100 MPa (à température ambiante)/650 °C, 1 210 MPa (à température ambiante)/425 °C, 1 210 MPa (à température ambiante)/730 °C, 1 550 MPa (à température ambiante)/235 °C, 1 550 MPa (à température ambiante)/425 °C and 1 550 MPa (à température ambiante)/600 °C — Dimensions



Foreword

ISO (the International Organization for Standardization) is a worldwide federation of national standards bodies (ISO member bodies). The work of preparing International Standards is normally carried out through ISO technical committees. Each member body interested in a subject for which a technical committee has been established has the right to be represented on that committee. International organizations, governmental and non-governmental, in liaison with ISO, also take part in the work. ISO collaborates closely with the International Electrotechnical Commission (IEC) on all matters of electrotechnical standardization.

Draft International Standards adopted by the technical committees are circulated to the member bodies for voting. Publication as an International Standard requires approval by at least 75 % of the member bodies casting a vote.

iTeh STANDARD PREVIEW

International Standard ISO 13589 was prepared by Technical Committee ISO/TC 20, *Aircraft and space vehicles*, Subcommittee SC 4, *Aerospace fastener systems*.

ISO 13589:1998

<https://standards.iteh.ai/catalog/standards/sist/0b2d0002-aa19-4d43-bf8a-48af8fd82b2/iso-13589-1998>

© ISO 1998

All rights reserved. Unless otherwise specified, no part of this publication may be reproduced or utilized in any form or by any means, electronic or mechanical, including photocopying and microfilm, without permission in writing from the publisher.

International Organization for Standardization
Case postale 56 • CH-1211 Genève 20 • Switzerland
Internet central@iso.ch
X.400 c=ch; a=400net; p=iso; o=isocs; s=central

Printed in Switzerland

Introduction

The dimensions specified in this International Standard have been determined to satisfy the requirements of the procurement specification of ISO 5858 or ISO 8641, depending on the classification of the nut.

iTeh STANDARD PREVIEW (standards.iteh.ai)

ISO 13589:1998

<https://standards.iteh.ai/catalog/standards/sist/0b2d0002-aa19-4d43-bf8a-48af8fd82b2/iso-13589-1998>

iTeh STANDARD PREVIEW
(standards.iteh.ai)

ISO 13589:1998

<https://standards.iteh.ai/catalog/standards/sist/0b2d0002-aa19-4d43-bf8a-48af8fd82b2/iso-13589-1998>

1 Scope

This International Standard specifies the dimensions of bihexagonal nuts with counterbore and MJ threads and a self-locking feature achieved by forming the upper portion out-of-round, for classifications: 1 100 MPa¹/425 °C², 1 100 MPa¹/650 °C², 1 210 MPa¹/425 °C², 1 210 MPa¹/730 °C², 1 550 MPa¹/235 °C², 1 550 MPa¹/425 °C² and 1 550 MPa¹/600 °C².

This International Standard is only applicable for the compilation of aerospace product standards.

2 Normative references

<https://standards.iteh.ai/catalog/standards/sist/0b2d0002-aa19-4d43-bf8a-48af8fd82b2/iso-13589-1998>

The following standards contain provisions which, through reference in this text, constitute provisions of this International Standard. At the time of publication, the editions indicated were valid. All standards are subject to revision, and parties to agreements based on this International Standard are encouraged to investigate the possibility of applying the most recent editions of the standards indicated below. Members of IEC and ISO maintain registers of currently valid International Standards.

ISO 4095:1998, *Aerospace — Bi-hexagonal drives — Wrenching configuration — Metric series.*

ISO 5855-2:1988, *Aerospace — MJ threads — Part 2: Limit dimensions for bolts and nuts.*

ISO 5858:1991, *Aerospace — Self-locking nuts with maximum operating temperature less than or equal to 425 °C — Procurement specification.*

ISO 8641:1987, *Aerospace — Self-locking nuts with maximum operating temperature greater than 425 °C — Procurement specification.*

ISO 8788:1987, *Aerospace — Fasteners — Tolerances of form and position for nuts.*

3 Configuration and dimensions

See figure 1 and table 1. Dimensions and tolerances are expressed in millimetres. They apply after any surface coating(s) but before the application of any lubricant.

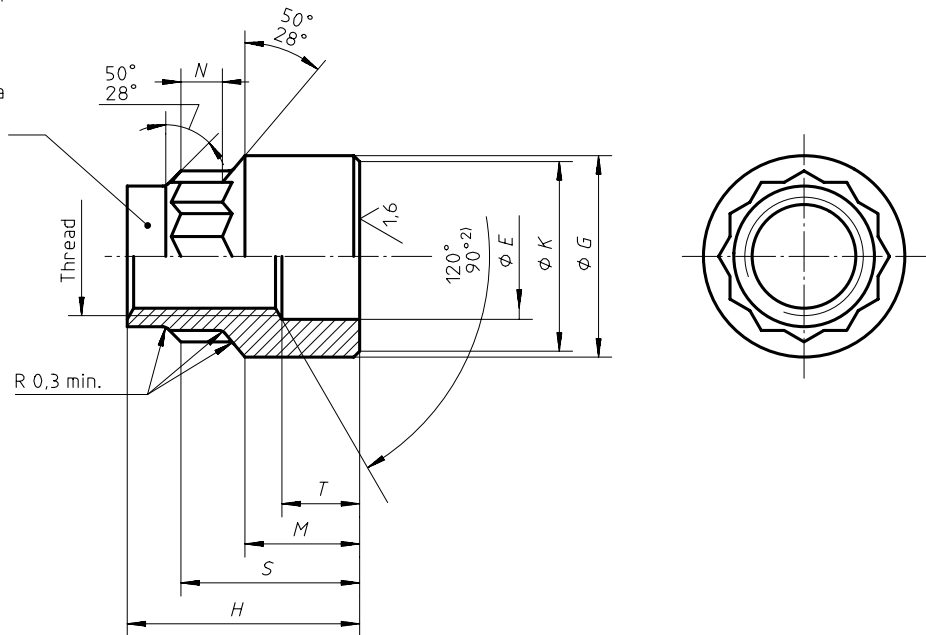
1) Corresponds to the minimum tensile stress which the nut is able to withstand at ambient temperature without breaking or cracking when tested with a bolt of a higher strength class.

2) Maximum temperature that the nut is able to withstand, without permanent alteration to its original characteristics, after ambient temperature has been restored. The maximum temperature is conditioned by the material or by the surface treatment.

$$6,3 / \left(\sqrt[1]{1,6} \right)^n$$

Remove sharp edges 0,1 to 0,4

Form out-of-round in this area to achieve the self-locking requirement (tooling marks permissible)



NOTE — Tolerances of form and position shall be in conformity with those specified in ISO 8788. Details of form not stated are at the manufacturer's discretion.

- 1) These values, in micrometres, apply before any surface coating(s) is (are) applied. The values do not apply to threads the surface texture of which will be as achieved by the usual manufacturing methods.
- 2) All forms of entry (radius or chamfer) permissible within these limiting dimensions.

ISO 13589:1998
Figure 1
<https://standards.itech.ai/catalog/standards/sist/0b2d0002-aa19-4d43-bf8a-48af8fd82b2/iso-13589-1998>

Table 1

Diameter	Thread ¹⁾	E		G	H	K	M	N	S	T	Wrenching dash ²⁾
050	MJ5×0,8-4H6H	5,8	5,2	9,1	11,5	8,3	5,7	2	9,4	4,5	07
060	MJ6×1-4H5H	7,1	6,3	10,6	12,9	9,8	5,95	2,3	10,3	4,75	08
070	MJ7×1-4H5H	8,1	7,3	12,1	14,1	11,3	6,2	2,6	11,1	5	09
080	MJ8×1-4H5H	9,1	8,3	13,6	15,7	12,8	6,45	2,8	12,2	5,25	10
100	MJ10×1,25-4H5H	11,1	10,3	16,8	18,5	15,8	6,7	3,1	14,3	5,5	12

1) In accordance with ISO 5855-2. In the self-locking zone, the tolerances apply before forming out-of-round.
 2) In conformity with ISO 4095 over N min.

iTeh STANDARD PREVIEW
(standards.iteh.ai)

ISO 13589:1998

<https://standards.iteh.ai/catalog/standards/sist/0b2d0002-aa19-4d43-bf8a-48af8fd82bf2/iso-13589-1998>

iTeh STANDARD PREVIEW
(standards.iteh.ai)

ISO 13589:1998

<https://standards.iteh.ai/catalog/standards/sist/0b2d0002-aa19-4d43-bf8a-48af8fd82b2/iso-13589-1998>

ICS 49.030.30

Descriptors: aircraft industry, fasteners, MJ threads, nuts (fasteners), double hexagonal nuts, self-locking nuts, counterbore nuts, classification dimensions.

Price based on 2 pages
