
**Aerospace — Inserts, self-locking,
with MJ threads, reduced flanges, closed
type, in metallic material, coated or
uncoated — Dimensions**

*Aéronautique et espace — Douilles filetées, à freinage interne et filetage
MJ, à joues réduites, du type fermé, en matériau métallique, revêtues ou
non revêtues — Dimensions*

iTeh STANDARD PREVIEW
(standards.iteh.ai)

[ISO 13598:2000](https://standards.iteh.ai/catalog/standards/sist/9508f43e-ee81-4365-8066-f271fdcac126/iso-13598-2000)

[https://standards.iteh.ai/catalog/standards/sist/9508f43e-ee81-4365-8066-
f271fdcac126/iso-13598-2000](https://standards.iteh.ai/catalog/standards/sist/9508f43e-ee81-4365-8066-f271fdcac126/iso-13598-2000)



PDF disclaimer

This PDF file may contain embedded typefaces. In accordance with Adobe's licensing policy, this file may be printed or viewed but shall not be edited unless the typefaces which are embedded are licensed to and installed on the computer performing the editing. In downloading this file, parties accept therein the responsibility of not infringing Adobe's licensing policy. The ISO Central Secretariat accepts no liability in this area.

Adobe is a trademark of Adobe Systems Incorporated.

Details of the software products used to create this PDF file can be found in the General Info relative to the file; the PDF-creation parameters were optimized for printing. Every care has been taken to ensure that the file is suitable for use by ISO member bodies. In the unlikely event that a problem relating to it is found, please inform the Central Secretariat at the address given below.

iTeh STANDARD PREVIEW
(standards.iteh.ai)

ISO 13598:2000

<https://standards.iteh.ai/catalog/standards/sist/9508f43e-ee81-4365-8066-f271fdcac126/iso-13598-2000>

© ISO 2000

All rights reserved. Unless otherwise specified, no part of this publication may be reproduced or utilized in any form or by any means, electronic or mechanical, including photocopying and microfilm, without permission in writing from either ISO at the address below or ISO's member body in the country of the requester.

ISO copyright office
Case postale 56 • CH-1211 Geneva 20
Tel. + 41 22 749 01 11
Fax + 41 22 734 10 79
E-mail copyright@iso.ch
Web www.iso.ch

Printed in Switzerland

Foreword

ISO (the International Organization for Standardization) is a worldwide federation of national standards bodies (ISO member bodies). The work of preparing International Standards is normally carried out through ISO technical committees. Each member body interested in a subject for which a technical committee has been established has the right to be represented on that committee. International organizations, governmental and non-governmental, in liaison with ISO, also take part in the work. ISO collaborates closely with the International Electrotechnical Commission (IEC) on all matters of electrotechnical standardization.

International Standards are drafted in accordance with the rules given in the ISO/IEC Directives, Part 3.

Draft International Standards adopted by the technical committees are circulated to the member bodies for voting. Publication as an International Standard requires approval by at least 75 % of the member bodies casting a vote.

Attention is drawn to the possibility that some of the elements of this International Standard may be the subject of patent rights. ISO shall not be held responsible for identifying any or all such patent rights.

International Standard ISO 13598 was prepared by Technical Committee ISO/TC 20, *Aircraft and space vehicles*, Subcommittee SC 4, *Aerospace fastener systems*.

iTeh STANDARD PREVIEW (standards.iteh.ai)

ISO 13598:2000

<https://standards.iteh.ai/catalog/standards/sist/9508f43e-ee81-4365-8066-f271fdcac126/iso-13598-2000>

iTeh STANDARD PREVIEW
(standards.iteh.ai)

ISO 13598:2000

<https://standards.iteh.ai/catalog/standards/sist/9508f43e-ee81-4365-8066-f271fdcac126/iso-13598-2000>

Aerospace — Inserts, self-locking, with MJ threads, reduced flanges, closed type, in metallic material, coated or uncoated — Dimensions

1 Scope

This International Standard specifies the dimensions of closed inserts, with self-locking MJ threads and reduced flanges, in metallic material, coated or uncoated, for honeycomb and composite materials. The classification referring to strength and temperature, depending on the core material and potting compound, is not specified.

This International Standard is only applicable to the compilation of aerospace product standards.

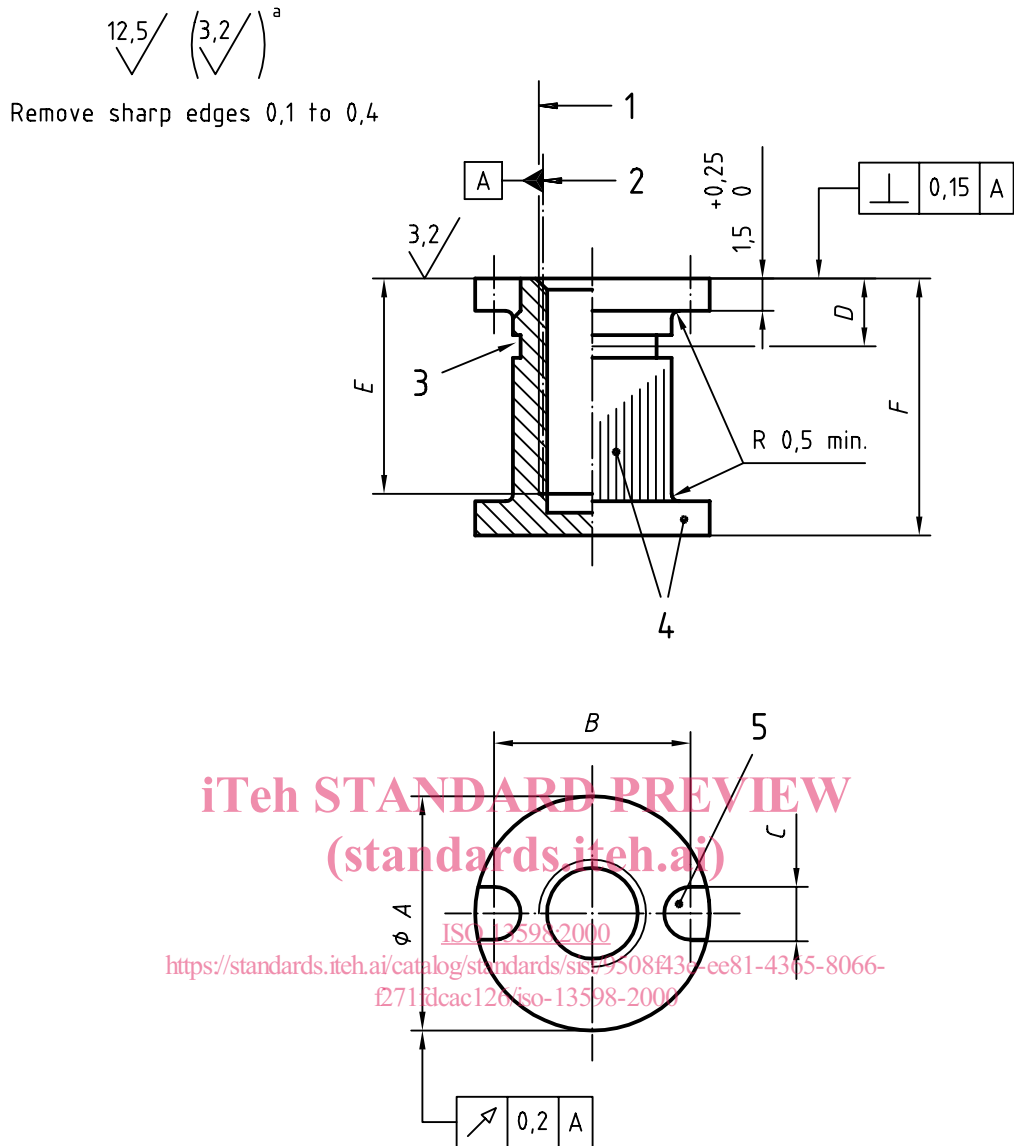
2 Normative reference

The following normative document contains provisions which, through reference in this text, constitute provisions of this International Standard. For dated references, subsequent amendments to, or revisions of, any of these publications do not apply. However, parties to agreements based on this International Standard are encouraged to investigate the possibility of applying the most recent edition of the normative document indicated below. For undated references, the latest edition of the normative document referred to applies. Members of ISO and IEC maintain registers of currently valid International Standards.

ISO 5855-2:1999, *Aerospace — MJ threads — Part 2: Limit dimensions for bolts and nuts*.

3 Configuration and dimensions

See Figure 1 and Table 1. Dimensions and tolerances are expressed in millimetres. They apply to inserts after any surface coating(s).



Details of form not stated are at the manufacturer's discretion.

Key

- 1 Thread
- 2 Pitch diameter
- 3 Shank deformed this area to provide thread lock
- 4 Antirotation feature at manufacturer's option on shank or bottom flange
- 5 Potting and vent slots radiused or squared

^a These values, in micrometres, are valid prior to any surface coating(s). The values do not apply to threads having a surface texture obtained by usual manufacturing methods.

Figure 1

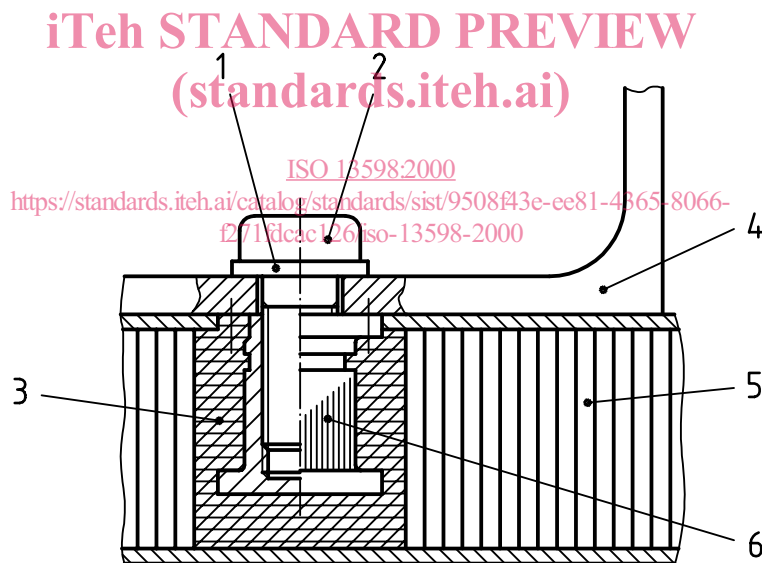
Table 1

Diameter code	Thread ^a	A	B	C	D	E ^b	F	
		0 - 0,25	± 0,25	± 0,25	≈	min.	nom.	tol.
030	MJ3 × 0,5-4H6H	11,5	9,1	2,4	3	6	9 or 12 or 15 or 19 or 22 or 25	± 0,25
040	MJ4 × 0,7-4H6H				4	8		
050	MJ5 × 0,8-4H6H				5	10	12 or 15 or 19 or 22 or 25	
060	MJ6 × 1-4H5H	12,7	10,3		6	12	15 or 19 or 22 or 25	

^a In accordance with ISO 5855-2
^b Effective length of a bolt thread engagement

4 Example of application

See Figure 2.



Key

- 1 Washer
- 2 Bolt
- 3 Potting compound
- 4 Attached component
- 5 Sandwich panel
- 6 Insert

Figure 2

iTeh STANDARD PREVIEW
(standards.iteh.ai)

ISO 13598:2000

<https://standards.iteh.ai/catalog/standards/sist/9508f43e-ee81-4365-8066-f271fdcac126/iso-13598-2000>

ICS 49.030.99

Price based on 3 pages