
**Timekeeping instruments — Wristwatch-
cases — Fixing dimensions of non-spring-
bar types**

*Instruments horaires — Boîtes de montres-bracelets — Dimensions de
fixation des types sans barrette*

iTeh STANDARD PREVIEW
(standards.iteh.ai)

[ISO 14856:2001](https://standards.iteh.ai/catalog/standards/sist/60550738-74d8-4347-be99-0100529445fe/iso-14856-2001)

[https://standards.iteh.ai/catalog/standards/sist/60550738-74d8-4347-
be99-0100529445fe/iso-14856-2001](https://standards.iteh.ai/catalog/standards/sist/60550738-74d8-4347-be99-0100529445fe/iso-14856-2001)



PDF disclaimer

This PDF file may contain embedded typefaces. In accordance with Adobe's licensing policy, this file may be printed or viewed but shall not be edited unless the typefaces which are embedded are licensed to and installed on the computer performing the editing. In downloading this file, parties accept therein the responsibility of not infringing Adobe's licensing policy. The ISO Central Secretariat accepts no liability in this area.

Adobe is a trademark of Adobe Systems Incorporated.

Details of the software products used to create this PDF file can be found in the General Info relative to the file; the PDF-creation parameters were optimized for printing. Every care has been taken to ensure that the file is suitable for use by ISO member bodies. In the unlikely event that a problem relating to it is found, please inform the Central Secretariat at the address given below.

iTeh STANDARD PREVIEW
(standards.iteh.ai)

ISO 14856:2001

<https://standards.iteh.ai/catalog/standards/sist/60550738-74d8-4347-be99-0100529445fe/iso-14856-2001>

© ISO 2001

All rights reserved. Unless otherwise specified, no part of this publication may be reproduced or utilized in any form or by any means, electronic or mechanical, including photocopying and microfilm, without permission in writing from either ISO at the address below or ISO's member body in the country of the requester.

ISO copyright office
Case postale 56 • CH-1211 Geneva 20
Tel. + 41 22 749 01 11
Fax + 41 22 749 09 47
E-mail copyright@iso.ch
Web www.iso.ch

Printed in Switzerland

Foreword

ISO (the International Organization for Standardization) is a worldwide federation of national standards bodies (ISO member bodies). The work of preparing International Standards is normally carried out through ISO technical committees. Each member body interested in a subject for which a technical committee has been established has the right to be represented on that committee. International organizations, governmental and non-governmental, in liaison with ISO, also take part in the work. ISO collaborates closely with the International Electrotechnical Commission (IEC) on all matters of electrotechnical standardization.

International Standards are drafted in accordance with the rules given in the ISO/IEC Directives, Part 3.

Draft International Standards adopted by the technical committees are circulated to the member bodies for voting. Publication as an International Standard requires approval by at least 75 % of the member bodies casting a vote.

Attention is drawn to the possibility that some of the elements of this International Standard may be the subject of patent rights. ISO shall not be held responsible for identifying any or all such patent rights.

International Standard ISO 14856 was prepared by Technical Committee ISO/TC 114, *Horology*, Subcommittee SC 7, *Overall dimensions*.

iTeh STANDARD PREVIEW (standards.iteh.ai)

[ISO 14856:2001](https://standards.iteh.ai/catalog/standards/sist/60550738-74d8-4347-be99-0100529445fe/iso-14856-2001)

<https://standards.iteh.ai/catalog/standards/sist/60550738-74d8-4347-be99-0100529445fe/iso-14856-2001>

iTeh STANDARD PREVIEW
(standards.iteh.ai)

ISO 14856:2001

<https://standards.iteh.ai/catalog/standards/sist/60550738-74d8-4347-be99-0100529445fe/iso-14856-2001>

Timekeeping instruments — Wristwatch-cases — Fixing dimensions of non-spring-bar types

1 Scope

This International Standard specifies overall fixing dimensions of wristwatch-cases to which bracelets or straps are fastened by means of a set of fixing pins and tubes.

This International Standard is applicable to wristwatch-cases with four or with two lugs.

2 Normative references

The following normative documents contain provisions which, through reference in this text, constitute provisions of this International Standard. For dated references, subsequent amendments to, or revisions of, any of these publications do not apply. However, parties to agreements based on this International Standard are encouraged to investigate the possibility of applying the most recent editions of the normative documents indicated below. For undated references, the latest edition of the normative document referred to applies. Members of ISO and IEC maintain registers of currently valid International Standards.

ISO 286-1, *ISO system of limits and fits — Part 1: Bases of tolerances, deviations and fits.*

ISO 286-2, *ISO system of limits and fits — Part 2: Tables of standard tolerance grades and limit deviations for holes and shafts.*

<https://standards.iteh.ai/catalog/standards/sist/60550738-74d8-4347-be99-0100529445fe/iso-14856-2001>

ISO 3765, *Timekeeping instruments — Wristwatches — Dimensions of bracelet-to-case fastening elements*

ISO 6426-2:1984, *Horological vocabulary — Part 2: Technico-commercial definitions.*

3 Terms and definitions

For the purposes of this International Standard, the terms and definitions given in ISO 6426-2 and the following apply.

3.1

lug

part of a case to which a bracelet or a strap is fastened for attaching the watch to the wrist

3.2

lug hole

aperture made in a lug for fastening a bracelet or a strap to a case

3.3

distance between lugs

inner dimension A for cases of Type 1, as shown in Figure 1 and as specified in ISO 3765

3.4

lug width

outer dimensions a for cases of Type 2, as shown in Figure 2

4 Classification

Wristwatch-cases are classified in two types, as follows.

Type 1: a case with four lugs arranged in pairs on each side at the 6 h – 12 h axis (see Figure 1). A bracelet is fastened between these lugs by the use of a fixing pin and tube.

Type 2: a case with one single lug at 6 h and one at 12 h (see Figure 2). A bracelet is fastened by the use of a fixing pin and tube.

5 Forms of fastening elements

See Figures 1 and 2.

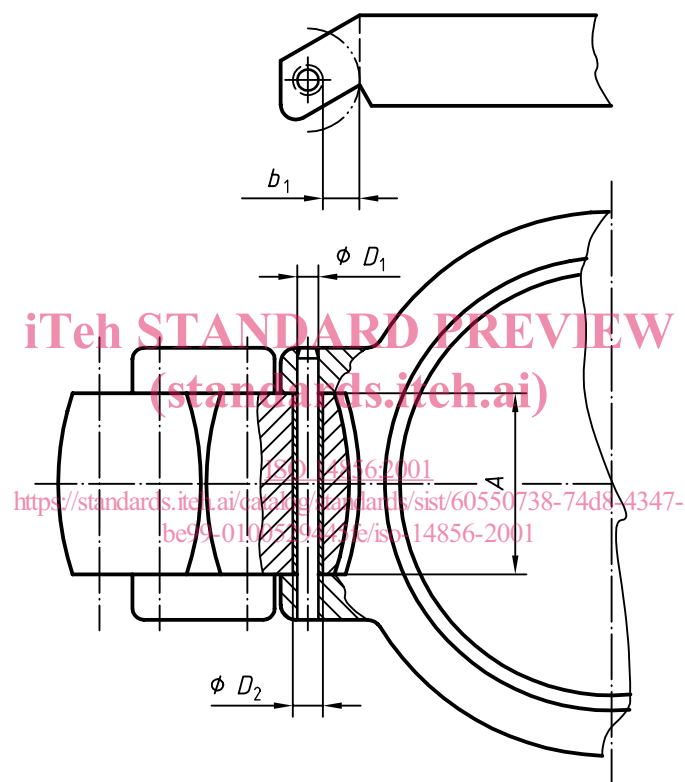
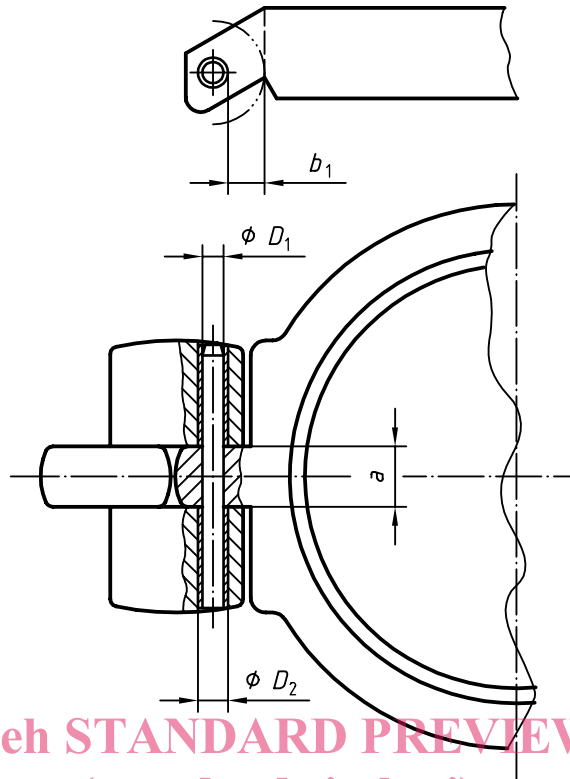


Figure 1 — Case with two pairs of lugs (Type 1)



iTeh STANDARD PREVIEW
(standards.iteh.ai)

Figure 2 — Case with two single lugs (Type 2)

[ISO 14856:2001](https://standards.iteh.ai/catalog/standards/sist/60550738-74d8-4347-be99-0100529445fe/iso-14856-2001)

<https://standards.iteh.ai/catalog/standards/sist/60550738-74d8-4347-be99-0100529445fe/iso-14856-2001>

6 Forms of fastening pins and tubes

See Figures 3 and 4.

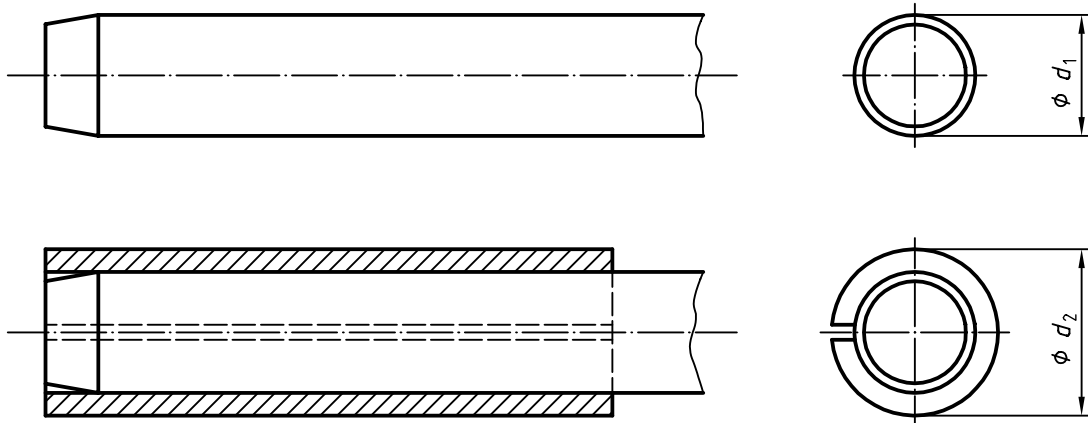


Figure 3 — Fastening pin and slit tube

iTeh STANDARD PREVIEW
(standards.iteh.ai)

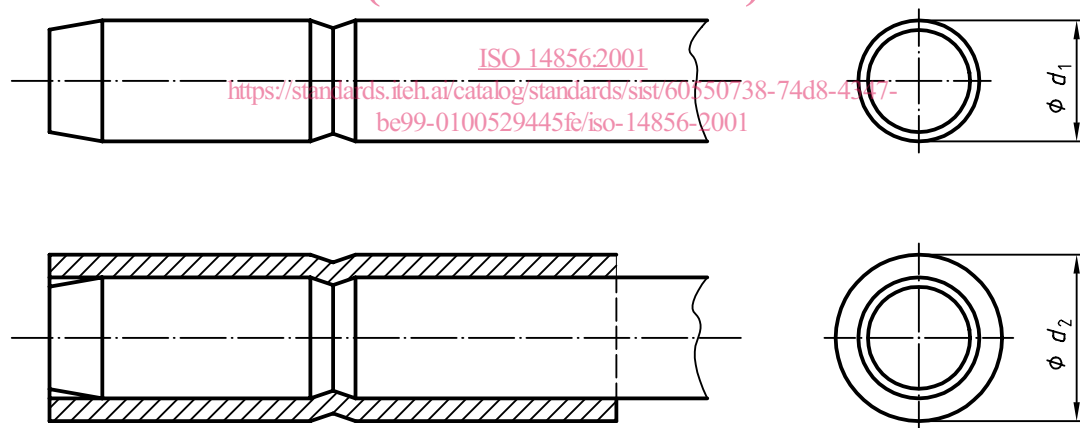


Figure 4 — Fastening notched pin and tube

7 Fixing dimensions and tolerances of wristwatch-cases, pins and tubes

Fixing dimensions are given in Tables 1 to 3, together with tolerances in accordance with ISO 286-1 and ISO 286-2.

Table 1 — Cases of Type 1 — Fixing dimensions and tolerances

Dimensions in millimetres

Distance ^a between lugs <i>A</i>	Diameter of lug hole <i>D</i> ₁	Diameter of hole for passage of tube for slit or notched tubes <i>D</i> ₂	Fastening pin clearance <i>b</i> ₁
Tolerance			
H12 or H13	H11	H11	H15
5			
6			0,70
7			
8			
9			
10*			1,10
11			
12*			1,50
13			
14*	$d_1 + 0,05$	$d_2 + 0,05$	
15			
16*			
17			
18*			2,00
19			
20*			
21			
22			
24			

NOTE If *A* (distance between lugs) is less than 5 mm, *a* (lug width) (see Table 2) should be used by keeping the tolerance for *A* (H12 or H13).

^a Preference should be given to the dimensions marked with an asterisk.