

INTERNATIONAL STANDARD



Environmental testing – iTeh Standards
Part 2-18: Tests – Test R and guidance: Water
(<https://standards.itih.ai>)
Document Preview

[IEC 60068-2-18:2017](https://standards.itih.ai/catalog/standards/iec/13801fe2-69cb-40d9-af4a-190ef0d6a2fc/iec-60068-2-18-2017)

<https://standards.itih.ai/catalog/standards/iec/13801fe2-69cb-40d9-af4a-190ef0d6a2fc/iec-60068-2-18-2017>



THIS PUBLICATION IS COPYRIGHT PROTECTED

Copyright © 2017 IEC, Geneva, Switzerland

All rights reserved. Unless otherwise specified, no part of this publication may be reproduced or utilized in any form or by any means, electronic or mechanical, including photocopying and microfilm, without permission in writing from either IEC or IEC's member National Committee in the country of the requester. If you have any questions about IEC copyright or have an enquiry about obtaining additional rights to this publication, please contact the address below or your local IEC member National Committee for further information.

IEC Central Office
3, rue de Varembe
CH-1211 Geneva 20
Switzerland

Tel.: +41 22 919 02 11
info@iec.ch
www.iec.ch

About the IEC

The International Electrotechnical Commission (IEC) is the leading global organization that prepares and publishes International Standards for all electrical, electronic and related technologies.

About IEC publications

The technical content of IEC publications is kept under constant review by the IEC. Please make sure that you have the latest edition, a corrigenda or an amendment might have been published.

IEC Catalogue - webstore.iec.ch/catalogue

The stand-alone application for consulting the entire bibliographical information on IEC International Standards, Technical Specifications, Technical Reports and other documents. Available for PC, Mac OS, Android Tablets and iPad.

IEC publications search - webstore.iec.ch/advsearchform

The advanced search enables to find IEC publications by a variety of criteria (reference number, text, technical committee,...). It also gives information on projects, replaced and withdrawn publications.

IEC Just Published - webstore.iec.ch/justpublished

Stay up to date on all new IEC publications. Just Published details all new publications released. Available online and also once a month by email.

Electropedia - www.electropedia.org

The world's leading online dictionary of electronic and electrical terms containing 21 000 terms and definitions in English and French, with equivalent terms in 16 additional languages. Also known as the International Electrotechnical Vocabulary (IEV) online.

IEC Glossary - std.iec.ch/glossary

67 000 electrotechnical terminology entries in English and French extracted from the Terms and Definitions clause of IEC publications issued since 2002. Some entries have been collected from earlier publications of IEC TC 37, 77, 86 and CISPR.

IEC Customer Service Centre - webstore.iec.ch/csc

If you wish to give us your feedback on this publication or need further assistance, please contact the Customer Service Centre: sales@iec.ch.

<https://standards.iteh.ai/catalog/standards/iec/13801fe2-69cb-40d9-af4a-190ef0d6a2fc/iec-60068-2-18-2017>

<https://standards.iteh.ai/catalog/standards/iec/13801fe2-69cb-40d9-af4a-190ef0d6a2fc/iec-60068-2-18-2017>



IEC 60068-2-18

Edition 3.0 2017-03
REDLINE VERSION

INTERNATIONAL STANDARD



Environmental testing – iTeh Standards
Part 2-18: Tests – Test R and guidance: Water
(<https://standards.iteh.ai>)
Document Preview

[IEC 60068-2-18:2017](https://standards.iteh.ai/catalog/standards/iec/13801fe2-69cb-40d9-af4a-190ef0d6a2fc/iec-60068-2-18-2017)

<https://standards.iteh.ai/catalog/standards/iec/13801fe2-69cb-40d9-af4a-190ef0d6a2fc/iec-60068-2-18-2017>

INTERNATIONAL
ELECTROTECHNICAL
COMMISSION

ICS 19.040

ISBN 978-2-8322-4106-6

Warning! Make sure that you obtained this publication from an authorized distributor.

CONTENTS

FOREWORD.....	5
INTRODUCTION.....	7
1 Scope and object	8
2 Normative references	8
3 Terms and definitions	8
4 Survey of water tests.....	9
4.1 General.....	9
4.2 Description of tests R: water	9
5 Test Ra: falling drops	10
5.1 Object.....	10
5.2 Method Ra 1: artificial rain	10
5.2.1 General description of the test.....	10
5.2.2 Severities	11
5.2.3 Preconditioning.....	11
5.2.4 Initial measurements	11
5.2.5 Testing	11
5.2.6 Recovery	12
5.2.7 Final measurements	12
5.2.8 Information to be given in the relevant specification.....	12
5.3 Method Ra 2: drip box.....	13
5.3.1 General description of the test.....	13
5.3.2 Severities	13
5.3.3 Preconditioning.....	14
5.3.4 Initial measurements	14
5.3.5 Testing	14
5.3.6 Recovery	14
5.3.7 Final measurements	14
5.3.8 Information to be given in the relevant specification.....	14
6 Test Rb: impacting water	15
6.1 Object.....	15
6.2 Method Rb 1: oscillating tube and spray nozzle.....	15
6.2.1 General description of the test.....	15
6.2.2 Method Rb 1.1: oscillating tube.....	15
6.2.3 Method Rb 1.2: spray nozzle	19
6.3 Method Rb 2: water jet.....	21
6.3.1 General description of the test.....	21
6.3.2 Severities	21
6.3.3 Preconditioning.....	22
6.3.4 Initial measurements	22
6.3.5 Testing	22
6.3.6 Recovery	22
6.3.7 Final measurements	23
6.3.8 Information to be given in the relevant specification.....	23
6.4 Method Rb 3: fan jet	23
6.4.1 General description of the test.....	23
6.4.2 Severities	24

6.4.3	Preconditioning.....	24
6.4.4	Initial measurements	24
6.4.5	Testing	24
6.4.6	Recovery	24
6.4.7	Final measurements	24
6.4.8	Information to be given in the relevant specification.....	25
7	Test Rc: immersion.....	25
7.1	Object.....	25
7.2	Method Rc 1: water tank	25
7.2.1	General description	25
7.2.2	Severities	25
7.2.3	Preconditioning.....	26
7.2.4	Initial measurements	26
7.2.5	Testing	26
7.2.6	Recovery	26
7.2.7	Final measurements	26
7.2.8	Information to be given in the relevant specification.....	26
7.3	Method Rc 2: pressurized water chamber	27
7.3.1	General description of the test.....	27
7.3.2	Severities	27
7.3.3	Preconditioning.....	27
7.3.4	Initial measurements	27
7.3.5	Testing	27
7.3.6	Recovery	28
7.3.7	Final measurements	28
7.3.8	Information to be given in the relevant specification.....	28
Annex A (informative) Water characteristics to be considered when writing the relevant specification		29
A.1	General.....	29
A.2	Purity.....	29
A.2.1	General	29
A.2.2	Effect on test specimen	29
A.2.3	Effect on test apparatus.....	29
A.2.4	Ingress of water into the specimen	30
A.3	Water quality for tests R	30
A.3.1	Test Ra: falling drops.....	30
A.3.2	Test Rb: impacting water	30
A.3.3	Test Rc: immersion.....	30
Annex B (informative) General guidance		31
B.1	General.....	31
B.2	Factors affecting the test severity	31
Annex C (informative) Guidance for test Ra		32
C.1	General.....	32
C.2	Example of test apparatus	32
C.2.1	Method Ra 1: artificial rain.....	32
C.2.2	Method Ra 2: drip box	33
C.3	Verification of test apparatus	34
C.3.1	Intensity.....	34
C.3.2	Drop size	34

C.3.3	Resistivity and pH value	34
Annex D (informative)	Guidance for test Rb	36
D.1	General.....	36
D.2	Example of test apparatus	36
D.2.1	Method Rb 1: oscillating tube and spray nozzle	36
D.2.2	Method Rb 2: water jet.....	37
D.2.3	Method Rb 3: fan jet nozzle	38
Annex E (informative)	Guidance for test Rc.....	45
E.1	General.....	45
E.2	Example of test apparatus	45
E.2.1	Method Rc 1: water tank	45
E.2.2	Method Rc 2: pressurized water chamber	45
E.3	Verification of test apparatus	45
Bibliography	46
Figure 1	– Structuring of test methods and equivalence with the IP Code of IEC 60529	10
Figure 2	– Test Ra, definitions of angles and axes	12
Figure C.1	– Test Ra 1, test apparatus and measurement setup for drop sizes and intensity for artificial rain method	33
Figure C.2	– Test Ra 2, recommended test apparatus for the drip box method.....	35
Figure D.1	– Test Rb 1.1, recommended test apparatus for the oscillating tube method.....	37
Figure D.2	– Distribution of mean value of precipitation intensity in the oscillating tube area for the above specified measurement conditions	39
Figure D.3	– Test Rb 1.2, recommended test apparatus for the spray nozzle method.....	40
Figure D.4	– Standard test nozzle for the water jet method (hose nozzle)	40
Figure D.5	– Standard test nozzle for the fan jet method.....	41
Figure D.6	– Fan jet nozzle resulting dimensions of spraying hole for checking purpose	41
Figure D.7	– Example of different quality achievements of the surface finish of the fan jet nozzle	42
Figure D.8	– Set-up for measuring the impact force of the water jet for determining the protection against high-pressure and high-temperature water jets	43
Figure D.9	– Impact force distribution	43
Figure D.10	– Test setup for determining the protection against high-pressure and high-temperature water jet for small enclosures	44
Table 1	– Oscillating tube – Relationship of number of nozzles and total water flow to tube radius.....	17
Table A.1	– Typical characteristics of water with approximate values.....	30

INTERNATIONAL ELECTROTECHNICAL COMMISSION

ENVIRONMENTAL TESTING –

Part 2-18: Tests – Test R and guidance: Water

FOREWORD

- 1) The International Electrotechnical Commission (IEC) is a worldwide organization for standardization comprising all national electrotechnical committees (IEC National Committees). The object of IEC is to promote international co-operation on all questions concerning standardization in the electrical and electronic fields. To this end and in addition to other activities, IEC publishes International Standards, Technical Specifications, Technical Reports, Publicly Available Specifications (PAS) and Guides (hereafter referred to as “IEC Publication(s)”). Their preparation is entrusted to technical committees; any IEC National Committee interested in the subject dealt with may participate in this preparatory work. International, governmental and non-governmental organizations liaising with the IEC also participate in this preparation. IEC collaborates closely with the International Organization for Standardization (ISO) in accordance with conditions determined by agreement between the two organizations.
- 2) The formal decisions or agreements of IEC on technical matters express, as nearly as possible, an international consensus of opinion on the relevant subjects since each technical committee has representation from all interested IEC National Committees.
- 3) IEC Publications have the form of recommendations for international use and are accepted by IEC National Committees in that sense. While all reasonable efforts are made to ensure that the technical content of IEC Publications is accurate, IEC cannot be held responsible for the way in which they are used or for any misinterpretation by any end user.
- 4) In order to promote international uniformity, IEC National Committees undertake to apply IEC Publications transparently to the maximum extent possible in their national and regional publications. Any divergence between any IEC Publication and the corresponding national or regional publication shall be clearly indicated in the latter.
- 5) IEC itself does not provide any attestation of conformity. Independent certification bodies provide conformity assessment services and, in some areas, access to IEC marks of conformity. IEC is not responsible for any services carried out by independent certification bodies.
- 6) All users should ensure that they have the latest edition of this publication.
- 7) No liability shall attach to IEC or its directors, employees, servants or agents including individual experts and members of its technical committees and IEC National Committees for any personal injury, property damage or other damage of any nature whatsoever, whether direct or indirect, or for costs (including legal fees) and expenses arising out of the publication, use of, or reliance upon, this IEC Publication or any other IEC Publications.
- 8) Attention is drawn to the Normative references cited in this publication. Use of the referenced publications is indispensable for the correct application of this publication.
- 9) Attention is drawn to the possibility that some of the elements of this IEC Publication may be the subject of patent rights. IEC shall not be held responsible for identifying any or all such patent rights.

This redline version of the official IEC Standard allows the user to identify the changes made to the previous edition. A vertical bar appears in the margin wherever a change has been made. Additions are in green text, deletions are in strikethrough red text.

International Standard IEC 60068-2-18 has been prepared by IEC technical committee 104: Environmental conditions, classification and methods of test.

This third edition cancels and replaces the second edition published in 2000. This edition constitutes a technical revision.

This edition includes the following significant technical changes with respect to the previous edition:

- a) addition of the new test method Rb 3.

The text of this standard is based on the following documents:

FDIS	Report on voting
104/719/FDIS	104/722/RVD

Full information on the voting for the approval of this standard can be found in the report on voting indicated in the above table.

This publication has been drafted in accordance with the ISO/IEC Directives, Part 2.

A list of all parts in the IEC 60068 series, published under the general title *Environmental testing*, can be found on the IEC website.

The committee has decided that the contents of this publication will remain unchanged until the stability date indicated on the IEC website under "<http://webstore.iec.ch>" in the data related to the specific publication. At this date, the publication will be

- reconfirmed,
- withdrawn,
- replaced by a revised edition, or
- amended.

IMPORTANT – The 'colour inside' logo on the cover page of this publication indicates that it contains colours which are considered to be useful for the correct understanding of its contents. Users should therefore print this document using a colour printer.

INTRODUCTION

~~It is the intention of this part of IEC 60068 to fulfil the function of a basic publication⁴⁾ by making water tests available to product committees.~~

A number of water tests are described in other IEC publications. Some of them are well established, for example, the test for classification of the second characteristic numeral of the IP Code, of IEC 60529.

This document incorporates the majority of the most widely used tests, as well as making available further methods and increasing the number of severities.

iTeh Standards
(<https://standards.iteh.ai>)
Document Preview

[IEC 60068-2-18:2017](https://standards.iteh.ai/catalog/standards/iec/13801fe2-69cb-40d9-af4a-190ef0d6a2fc/iec-60068-2-18-2017)

<https://standards.iteh.ai/catalog/standards/iec/13801fe2-69cb-40d9-af4a-190ef0d6a2fc/iec-60068-2-18-2017>

⁴⁾ ~~IEC Guide 108:1994, The relationship between technical committees with horizontal functions and product committees and the use of basic publications~~

ENVIRONMENTAL TESTING –

Part 2-18: Tests – Test R and guidance: Water

1 ~~Scope and object~~

This part of IEC 60068 provides methods of test applicable to products which, during transportation, storage or in service, ~~may can~~ be subjected to falling water drops, impacting water, immersion or high pressure water impact. The primary purpose of water tests is to verify the ability of enclosures, covers and seals to maintain components and equipment in good working order after and, when necessary, under a standardized drop field or immersion in water.

These tests are not corrosion tests and ~~should not cannot~~ be considered and used as such.

~~The effects of a large temperature difference between the water and the specimen, such as increased water ingress resulting from pressure changes, as well as thermal shock, are not simulated.~~

Established water tests in other standards are not intended to simulate natural rainfall and their quoted intensities are too high to be adopted for that purpose. Therefore, in addition to the high-intensity severities, test R includes an artificial rain test based upon natural conditions but not taking into account high wind speeds generally associated with natural rain.

Guidance is given on the applicability of the tests and the severities to be selected.

2 Normative references

~~The following normative documents contain provisions which, through reference in this text, constitute provisions of this part of IEC 60068. For dated references, subsequent amendments to, or revisions of, these publications do not apply. However, parties to agreements based on this part of IEC 60068 are encouraged to investigate the possibility of applying the most recent edition of the normative documents indicated below. For undated references, the latest edition of the normative documents referred to applies. Members of IEC and ISO maintain registers of currently valid International Standards~~

~~IEC 60529:1989, *Degrees of protection provided by enclosures (IP Code)*~~

There are no normative references in this document.

3 Terms and definitions

For the purposes of this document, the following terms and definitions apply.

ISO and IEC maintain terminological databases for use in standardisation at the following addresses:

- IEC Electropedia: available at <http://www.electropedia.org/>
- ISO Online browsing platform: available at <http://www.iso.org/obp>

3.1**rain**

precipitation in the form of water drops

Note 1 to entry: Both the amount that falls and the actual falling action of the water drops are often called rainfall.

3.2**drizzle**

precipitation in the form of very small, numerous and uniformly dispersed water drops that may appear to float while following air currents

3.3**raindrop**

drop of water having a diameter greater than 0,5 mm falling through the atmosphere

3.4**drizzledrop**

drop of water having a diameter of 0,2 mm to 0,5 mm falling through the atmosphere

3.5***R*****rainfall or drizzle intensity**

amount that falls per unit of time

Note 1 to entry: Rainfall intensity (*R*) is given in millimetres per hour (mm/h) where 1 l/(m² · h) equals 1 mm/h.

3.6***D*₅₀****median volume diameter**

diameter of a drop whose size is such that 50 % of the volume of water reaching the ground is comprised of smaller (or larger) drops

Note 1 to entry: Median volume diameter can be calculated using the formula:

$$D_{50} = 1,21 R^{0,19} \text{ (mm)}$$

where *R* is the rainfall intensity (see 3.5).

4 Survey of water tests**4.1 General**

This survey indicates the general structure of the various tests included in this document.

The structuring of the different tests is given in Figure 1.

4.2 Description of tests R: water

The water tests are structured into three groups.

- Ra: "falling drops" which, in principle, is a test with artificial rain and a test simulating falling drops from condensation or leakage.
- Rb: "impacting water" where water jets impinge upon the test specimen with a certain force and may assume any angle towards the test specimen.
- Rc: "immersion" where the test specimen is immersed in water to specified depths or equivalent pressures.

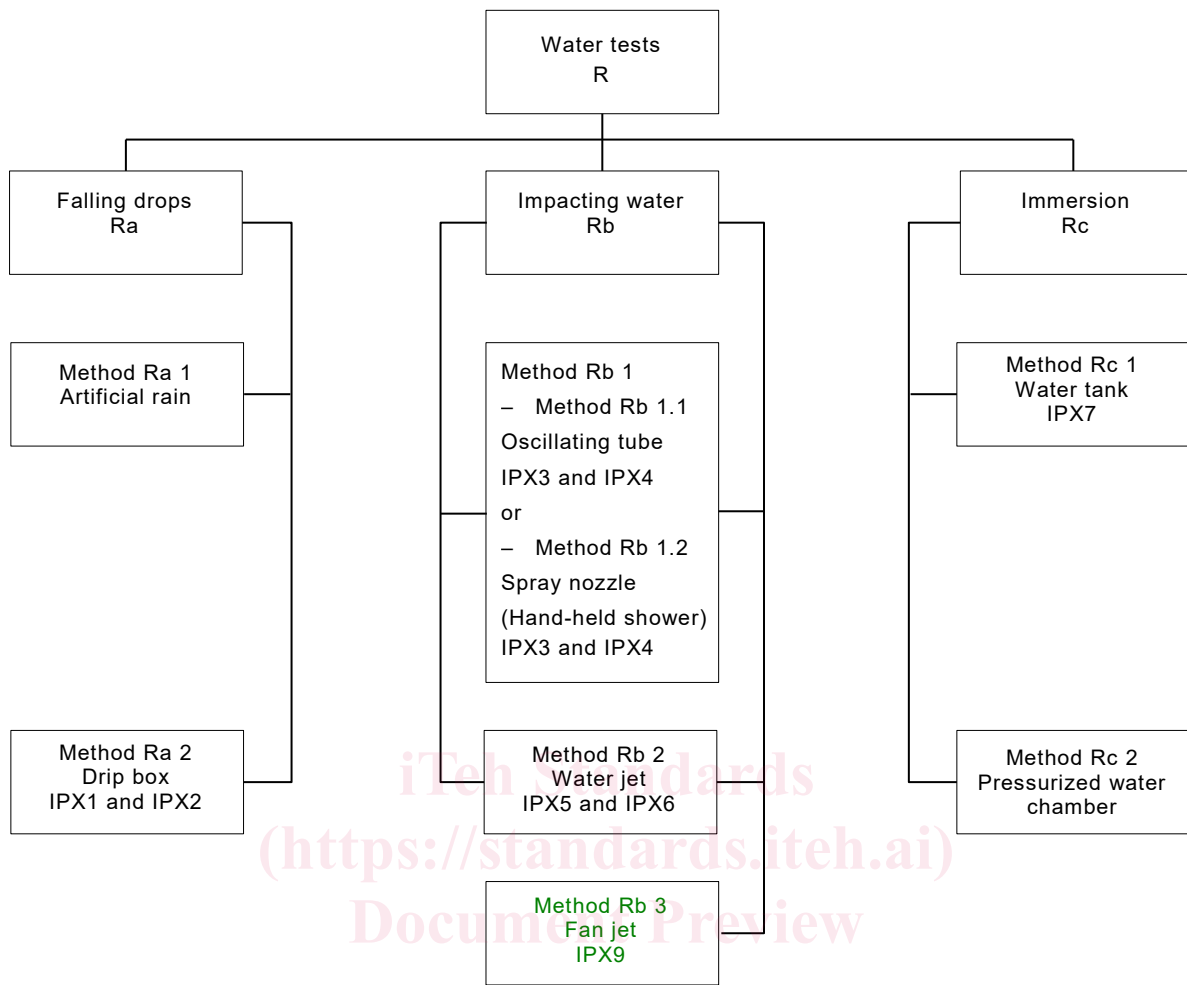


Figure 1 – Structuring of test methods and equivalence with the IP Code of IEC 60529

5 Test Ra: falling drops

5.1 Object

This test is applicable to products which, during transportation, storage or in service may be exposed to vertical falling drops, the origin of these being, for example, natural rain, seepage or condensation. It shall be clearly stated in the relevant specification whether a product hereinafter referred to as a specimen has to function during testing or merely to survive conditions of falling drops. In either case, the relevant specification shall always ~~prescribe~~ **specify** the acceptable tolerances in performance.

5.2 Method Ra 1: artificial rain

5.2.1 General description of the test

The test specimen is mounted on an appropriate fixture or base support. It is then subjected to falling waterdrops, which simulate natural rain.

The basic requirements for the test apparatus are as follows.

- Drop-generating nozzle or nozzles (see C.2.1 and Figure C.1).
- Fixture for the specimen

The fixture shall simulate as far as possible the mounting of the specimen when in service; for example, for wall-mounted equipment the fixture shall simulate a wall.

- Support of the test specimen

The support shall have a base area which is smaller than the base area of the specimen. The support shall be either a turntable which has a rotation speed of 1 r/min and the eccentricity (distance between turntable axis and specimen axis) is approximately 100 mm, or a table which does not turn. The support shall be able to hold the specimen in any test position and, if necessary, be tilted to a maximum of 90° from the vertical plane.

- Water supply with controls

The water used for the test shall be fresh tap water of good quality. In order to avoid clogging of the nozzles, the water shall be filtered and may be demineralized. Details of the characteristics of the water are given in Annex A. During the test, the water temperature shall not differ by more than 5 K from the temperature of the specimen under test. If the water temperature is more than 5 K below the temperature of the specimen, a pressure balance shall be provided for the specimen.

5.2.2 Severities

The severities, as indicated by intensity (and associated drop-size distribution), duration and tilt angle of specimen shall be ~~prescribed~~ specified in the relevant specification. The values shall be selected from those given below, **a longer duration may be specified in the relevant specification**. Wind-driven rain is not simulated by this test as the wind velocity is not a parameter of test.

- Intensity, mm/h and (associated drop-size distribution, mm):
10 ± 5 ($D_{50} = 1,9 \pm 0,2$); 100 ± 20 ($D_{50} = 2,9 \pm 0,3$); 400 ± 50 ($D_{50} = 3,8 \pm 0,4$).
- Duration, min:
10, 30, 60, 120.
- Tilt angle α , degrees:
0, 15, 30, 60, 90.

~~NOTE—The relevant specification may prescribe a longer duration.~~

5.2.3 Preconditioning

Preconditioning of the specimen and seals shall be carried out if ~~prescribed~~ specified in the relevant specification.

5.2.4 Initial measurements

The specimen shall be submitted to the visual, dimensional and functional checks ~~prescribed~~ by specified in the relevant specification. All features of the specimen likely to affect the test result, for example surface treatment, enclosures, covers or seals, shall be inspected to ensure that the instructions of the relevant specification have been followed.

5.2.5 Testing

The specimen shall be mounted on the support either

- in its normal operating position, as ~~prescribed~~ specified in the relevant specification; or
- tilted from the normal operating position and provision made for rotating the specimen in a plane perpendicular to the tilted axis. The rotation may be achieved by a rotating support table or by repositioning the specimen at regular intervals during the test. Alternatively, the specimen can be oscillated through an arc of 270° to avoid the need for slip-ring contacts.

The relevant specification shall specify the tilt angle or angles, the face or faces to be exposed to the drop field and the duration of exposure for each side, or whether the specimen shall be continuously rotated or oscillated through 270°. See also Figure 2.

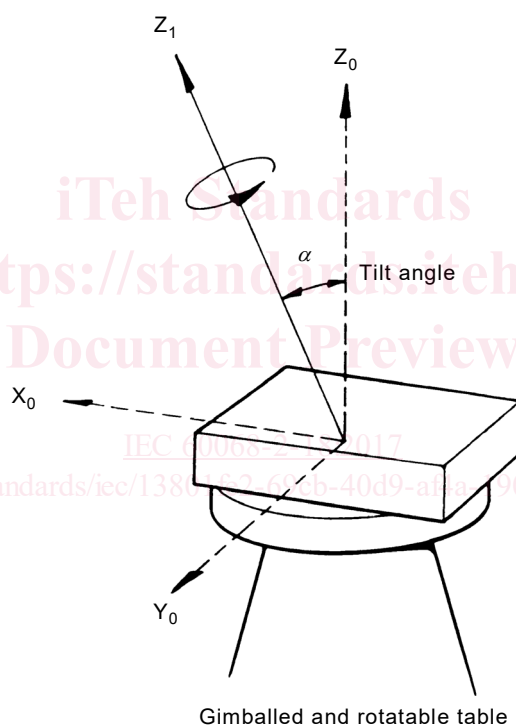
The specimen shall be subjected to artificial rain with severities selected from 5.2.2 and ~~prescribed by~~ specified in the relevant specification.

The relevant specification shall state whether the specimen shall be operated during testing and if intermediate measurements shall be made.

Appropriate safety precautions shall be taken when testing the specimen in the energized condition.

5.2.6 Recovery

Unless otherwise required in the relevant specification, the specimen shall be thoroughly dried externally by wiping or by applying low-velocity forced air at room temperature.



IEC

Figure 2 – Test Ra, definitions of angles and axes

5.2.7 Final measurements

The specimen shall be examined for ingress of water and submitted to visual, dimensional and functional checks ~~prescribed by~~ specified in the relevant specification.

Any ingress of water should be quantified if possible and reported.

5.2.8 Information to be given in the relevant specification

Where this test is included in the relevant specification, the following details shall be given in so far as they are applicable. The relevant specification shall supply information as required in the subclauses listed below, paying particular attention to the items marked with an asterisk (*) as this information is always required.