



SLOVENSKI STANDARD
SIST EN 13513:2004/AC:2004
01-maj-2004

Footwear - Test methods for uppers - Deformability

Footwear - Test methods for uppers - Deformability

Schuhe - Prüfverfahren für Obermaterialien - Verformbarkeit

Chaussures - Méthodes d'essai pour les tiges - Déformabilités

Ta slovenski standard je istoveten z: EN 13513:2001/AC:2003

[SIST EN 13513:2004/AC:2004](https://standards.iteh.ai/catalog/standards/sist/c026287c-cc3f-402f-8af4-dc1fcdbeab83/sist-en-13513-2004-ac-2004)

<https://standards.iteh.ai/catalog/standards/sist/c026287c-cc3f-402f-8af4-dc1fcdbeab83/sist-en-13513-2004-ac-2004>

ICS:

61.060 Obuvala Footwear

SIST EN 13513:2004/AC:2004 **en**

iTeh STANDARD PREVIEW
(standards.iteh.ai)

[SIST EN 13513:2004/AC:2004](https://standards.iteh.ai/catalog/standards/sist/c026287c-cc3f-402f-8af4-dc1fcdbeab83/sist-en-13513-2004-ac-2004)

<https://standards.iteh.ai/catalog/standards/sist/c026287c-cc3f-402f-8af4-dc1fcdbeab83/sist-en-13513-2004-ac-2004>

EUROPEAN STANDARD

EN 13513:2001/AC

NORME EUROPÉENNE

December 2003

EUROPÄISCHE NORM

Décembre 2003

Dezember 2003

ICS 61.060

English version
Version Française
Deutsche Fassung

Footwear - Test methods for uppers - Deformability

Chaussures - Méthodes d'essai pour les tiges - Déformabilités

Schuhe - Prüfverfahren für Obermaterialien - Verformbarkeit

This corrigendum becomes effective on 17 December 2003 for incorporation in the three official language versions of the EN.

Ce corrigendum prendra effet le 17 décembre 2003 pour incorporation dans les trois versions linguistiques officielles de l'EN.

Die Berichtigung tritt am 17. Dezember 2003 zur Einarbeitung in die drei offiziellen Sprachfassungen der EN in Kraft.

[SIST EN 13513:2004/AC:2004](https://standards.iteh.ai/catalog/standards/sist/c026287c-cc3f-402f-8af4-dc1fcdbeab83/sist-en-13513-2004-ac-2004)

<https://standards.iteh.ai/catalog/standards/sist/c026287c-cc3f-402f-8af4-dc1fcdbeab83/sist-en-13513-2004-ac-2004>



EUROPEAN COMMITTEE FOR STANDARDIZATION
COMITÉ EUROPÉEN DE NORMALISATION
EUROPÄISCHES KOMITEE FÜR NORMUNG

Management Centre: rue de Stassart, 36 B-1050 Brussels

© 2003 CEN All rights of exploitation in any form and by any means reserved worldwide for CEN national Members.
Tous droits d'exploitation sous quelque forme et de quelque manière que ce soit réservés dans le monde entier aux membres nationaux du CEN.
Alle Rechte der Verwertung, gleich in welcher Form und in welchem Verfahren, sind weltweit den nationalen Mitgliedern von CEN vorbehalten.

Ref. No. EN 13513:2001/AC:2003 D/E/F

EN 13513:2001/AC:2003 (E/F/D)

English version

- Figures 1 and 2 shall be replaced with the following ones:

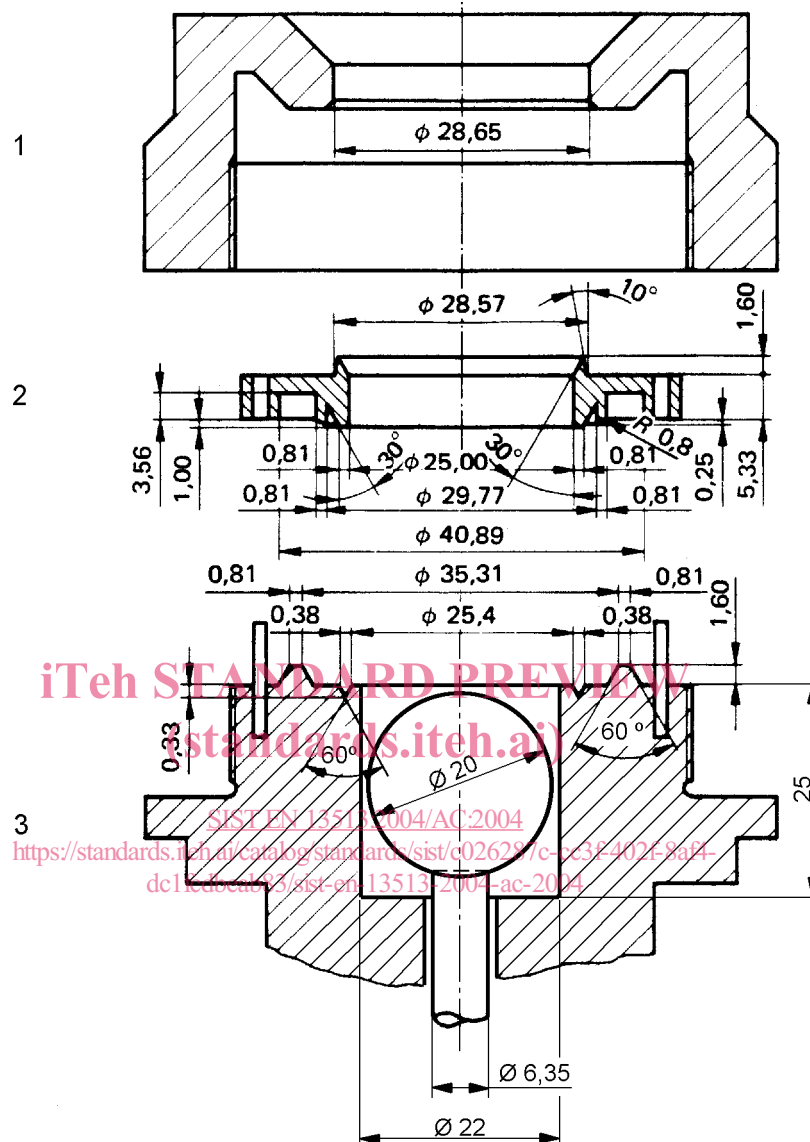


Figure 1 –Details of clamp and head

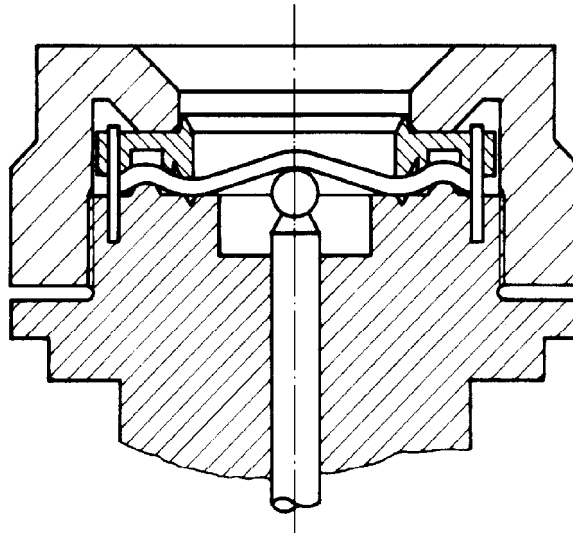


Figure 2 – Cross section of clamping head with test piece in position

- *Subclause 6.2.2: the following text shall be added at the end of the existing text, prior to the full stop: "and the test specimen is flat".*

iTeh STANDARD PREVIEW (standards.iteh.ai)

[SIST EN 13513:2004/AC:2004](https://standards.iteh.ai/catalog/standards/sist/c026287c-cc3f-402f-8af4-dc1fcdbeab83/sist-en-13513-2004-ac-2004)

<https://standards.iteh.ai/catalog/standards/sist/c026287c-cc3f-402f-8af4-dc1fcdbeab83/sist-en-13513-2004-ac-2004>