

INTERNATIONAL  
STANDARDIZED  
PROFILE

**ISO/IEC**  
**ISP**  
**10609-32**

First edition  
1995-12-15

---

---

**Information technology — International  
Standardized Profiles TB, TC, TD and  
TE — Connection-mode Transport Service  
over connection-mode Network Service —**

**(Part 32: [standards.iteh.ai](https://standards.iteh.ai))**

Definition of profile TC4111

[ISO/IEC ISP 10609-32:1995](https://standards.iteh.ai/catalog/standards/sist/ff8bb97f-6827-4171-9820-3b0d7fd97c8a/iso-iec-isp-10609-32-1995)

[https://standards.iteh.ai/catalog/standards/sist/ff8bb97f-6827-4171-9820-](https://standards.iteh.ai/catalog/standards/sist/ff8bb97f-6827-4171-9820-3b0d7fd97c8a/iso-iec-isp-10609-32-1995)

[3b0d7fd97c8a/iso-iec-isp-10609-32-1995](https://standards.iteh.ai/catalog/standards/sist/ff8bb97f-6827-4171-9820-3b0d7fd97c8a/iso-iec-isp-10609-32-1995)

*Technologies de l'information — Profils normalisés internationaux TB, TC, TD et TE — Service de transport en mode connexion sur service de réseau en mode connexion —*

*Partie 32: Définition du profil TC4111*

---

---

INTERNATIONAL

ISO/IEC



Reference number  
ISO/IEC ISP 10609-32:1995(E)

# ISO/IEC ISP 10609-32:1995(E)

## Contents

Page

Foreword .....	iii
Introduction .....	vi
1 Scope .....	1
1.1 General .....	1
1.2 Position within the taxonomy .....	1
1.3 Scenario .....	1
2 Normative references .....	2
3 Definitions .....	3
4 Abbreviations .....	3
5 Profile TC4111 .....	3
5.1 Static conformance requirements .....	3
5.2 Dynamic conformance requirements .....	4
Annex A: ISPICS requirements list (IPRL) .....	5
A.1 General options of the profile .....	5
A.2 Standards selected and combined in the profile .....	5
A.3 Constraints on base standards .....	5
Annex B: Guidance for implementors .....	6
B.1 Network layer .....	6
B.2 Data Link Layer .....	6

ISO/IEC ISP 10609-32:1995  
<https://standards.iteh.ai/catalog/standards/sist/ff8bb97f-6827-4171-9820-3b0d7fd97c8a/iso-iec-isp-10609-32-1995>

© ISO/IEC 1995

All rights reserved. Unless otherwise specified, no part of this publication may be reproduced or utilized in any form or by any means, electronic or mechanical, including photocopying and microfilm, without permission in writing from the publisher.

ISO/IEC Copyright Office • Case postale 56 • CH-1211 Genève • Switzerland

Printed in Switzerland

## Foreword

ISO (the International Organization for Standardization) and IEC (the International Electrotechnical Commission) form the specialized system for worldwide standardization. National bodies that are members of ISO or IEC participate in the development of International Standards through technical committees established by the respective organization to deal with particular fields of technical activity. ISO and IEC technical committees collaborate in fields of mutual interest. Other international organizations, governmental and non-governmental, in liaison with ISO and IEC, also take part in the work.

In the field of information technology, ISO and IEC have established a joint technical committee, ISO/IEC JTC 1. In addition to developing International Standards, ISO/IEC JTC 1 has created a Special Group on Functional Standardization for the processing of International Standardized Profiles.

An International Standardized Profile is an internationally agreed, harmonized document which identifies a standard or group of standards, together with options and parameters, necessary to accomplish a function or set of functions.

Draft International Standardized Profiles are circulated to national bodies for voting. Publication as an International Standardized Profile requires approval by at least 75% of the national bodies casting a vote.

International Standardized Profile ISO/IEC ISP 10609-32 was prepared with the collaboration of

- STANDARD PREVIEW**  
**(standards.iteh.ai)**
- Asia-Oceania Workshop (AOW);
  - European Workshop for Open Systems (EWOS);
  - Open Systems Environment Implementors' Workshop (OIW).

ISO/IEC ISP 10609 consists of the following parts, under the general title *Information technology - International Standardized Profiles TB, TC, TD and TE - Connection-mode Transport Service over connection-mode Network Service*:

*Part 1: Subnetwork-type independent requirements for Group TB*

*Part 2: Subnetwork-type independent requirements for Group TC*

*Part 3: Subnetwork-type independent requirements for Group TD*

*Part 4: Subnetwork-type independent requirements for Group TE*

*Part 5: Definition of profiles TB1111/TB1121*

*Part 6: Definition of profiles TC1111/TC1121*

*Part 7: Definition of profiles TD1111/TD1121*

*Part 8: Definition of profiles TE1111/TE1121*

*Part 9: Subnetwork-type dependent requirements for Network Layer, Data Link Layer and Physical Layer concerning permanent access to a packet switched data network using virtual calls*

*Part 10: LAN subnetwork-dependent, media-independent requirements*

*Part 11: CSMA/CD LAN subnetwork-dependent, media-dependent requirements*

*Part 12: Definition of profile TC51, provision of the OSI connection-mode Transport Service using the OSI connection-mode Network Service in an End System attached to a CSMA/CD LAN*

*Part 14: Definition of profile TC53, provision of the OSI connection-mode Transport Service using the OSI connection-mode Network Service in an End System attached to a Token Ring LAN*

*Part 15: Definition of profile TC54, provision of the OSI connection-mode Transport Service using the OSI connection-mode Network Service in an End System attached to an FDDI LAN*

*Part 20: Overview of the generalized multi-part ISP structure for TC and TD Group profiles for OSI usage of ISDN*

*Part 21: Subnetwork-type dependent requirements for Network Layer and Data Link Layer for ISDN B-channel X.25 DTE to DTE operation*

*Part 22: Subnetwork-type dependent requirements for Network Layer and Data Link Layer for ISDN B-channel X.25 DTE to DCE operation*

*Part 23: Subnetwork-type dependent requirements for Network Layer and Data Link Layer for Data Transfer concerning a packet switched mode Integrated Services Digital Network using virtual calls: B-channel access case*

*Part 24: Subnetwork-type dependent requirements for Network Layer and Data Link Layer for Data Transfer concerning a packet switched mode Integrated Services Digital Network using virtual calls: D-channel access case*

*Part 25: Subnetwork-type dependent requirements for Q.931 circuit-switched operation*

*Part 26: Subnetwork-type dependent requirements for Network Layer for Call Control procedures concerning the outgoing call of a packet switched mode Integrated Services Digital Network in case B using virtual calls*

*Part 27: Subnetwork-type dependent requirements for Network Layer for Call Control procedures concerning the incoming call of a packet switched mode Integrated Services Digital Network in case B using virtual calls*

*Part 28: Subnetwork-type dependent requirements for Data Link Layer for end systems attached to an ISDN subnetwork*

*Part 30: Definition of profile TC1131*

*Part 31: Definition of profile TC1231*

*Part 32: Definition of profile TC4111*

*Part 33: Definition of profile TC4211*

*Part 34: Definition of profile TC43111*

*Part 35: Definition of profile TC43112*

*Part 36: Definition of profile TC43211*

*Part 37: Definition of profile TC43212*

*Part 38: Definition of profile TC4331*

*Part 40: Definition of profile TD1131*

*Part 41: Definition of profile TD1231*

*Part 42: Definition of profile TD4111*

*Part 43: Definition of profile TD4211*

*Part 44: Definition of profile TD43111*

*Part 45: Definition of profile TD43112*

*Part 46: Definition of profile TD43211*

*Part 47: Definition of profile TD43212*

*Part 48: Definition of profile TD4331*

**iTeh STANDARD PREVIEW**  
**(standards.iteh.ai)**

Annex A forms an integral part of this part of ISO/IEC ISP 10609. Annex B is for information only.

<https://standards.iteh.ai/catalog/standards/sist/ff8bb97f-6827-4171-9820-3b0d7fd97c8a/iso-iec-isp-10609-32-1995>

## Introduction

This International Standardized Profile (ISP) is defined in accordance with the principles specified by ISO/IEC Technical Report 10000, "Information technology - Framework and taxonomy of International Standardized Profiles".

The context of Functional Standardization is one area in the overall field of Information Technology (IT) standardization activities, covering base standards, profiles, and registration mechanisms. A profile defines a combination of base standards that collectively perform a specific well-defined IT function. Profiles standardize the use of options and other variations in the base standards, and provide a base for the development of uniform, internationally recognized system tests.

ISPs are produced not simply to "legitimize" a particular choice of base standards and options, but to promote real system interoperability. One of the most important roles for an ISP is to serve as the basis for the development (by organizations other than ISO and IEC) of internationally recognized test methods. The development and widespread acceptance of tests based on this and other ISPs is crucial to the successful realization of this goal.

ISO/IEC ISP 10609 consists of several parts of which this is part 32. This part of ISO/IEC ISP 10609 identifies the specific requirements of profile TC4111, making reference to appropriate material from other parts of ISO/IEC ISP 10609 which specify requirements that are subnetwork-type independent, subnetwork-type dependent or media-dependent. For each individual profile there is a part of ISO/IEC ISP 10609 which identifies the specific requirements of that profile, making reference to other parts of ISO/IEC ISP 10609.

[ISO/IEC ISP 10609-32:1995](https://standards.iteh.ai/catalog/standards/sist/ff8bb97f-6827-4171-9820-3b0d7fd97c8a/iso-iec-isp-10609-32-1995)

<https://standards.iteh.ai/catalog/standards/sist/ff8bb97f-6827-4171-9820-3b0d7fd97c8a/iso-iec-isp-10609-32-1995>

# Information technology — International Standardized Profiles TB, TC, TD and TE — Connection-mode Transport Service over connection-mode Network Service —

## Part 32: Definition of profile TC4111

### iTeh STANDARD PREVIEW (standards.iteh.ai)

#### 1 Scope

##### 1.1 General

<https://standards.iteh.ai/catalog/standards/sist/f8bb97f-6827-4171-9820-3b9d75397-88/conformance-with-10609-32-1995>

ISO/IEC ISP 10609 is applicable to end systems concerned with operating in the Open Systems Interconnection (OSI) environment. It specifies a combination of OSI standards, which collectively provide the connection-mode Transport Service using the connection-mode Network Service.

This part of ISO/IEC ISP 10609 defines the profile TC4111. The TC4111 profile is in the TC Group which supports Transport protocol classes 0 and 2.

##### 1.2 Position within the taxonomy

The taxonomy of OSI profiles is defined in ISO/IEC TR 10000-2. This part of ISO/IEC ISP 10609 defines the profile:

TC4111 Connection-mode Transport Service over connection-mode Network Service - ISDN B-channel permanent service - X.25 DTE to DTE operation.

NOTE - At time of publication of this part of ISO/IEC ISP 10609, there is no difference from a terminal point of view between "permanent" and "semi-permanent" connections. However, ITU-T may define a procedure that would allow an ISDN terminal to have a semi-permanent connection in support of a permanent B-channel. At that time, amendments to this profile may be necessary. This profile uses the term "permanent".

This profile may be combined with any A-profile at the A/T boundary.

##### 1.3 Scenario

Figure 1 illustrates the configuration of systems to which the TC4111 profile is applicable.

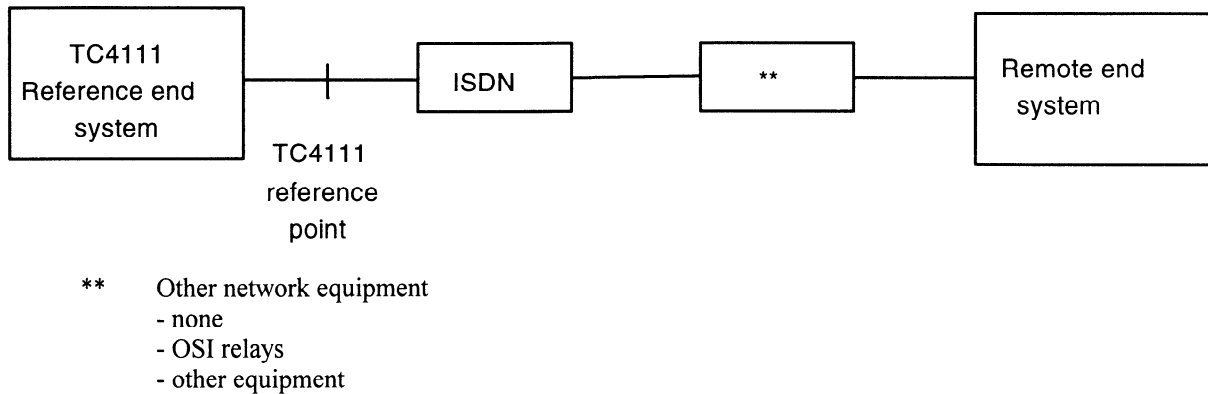


Figure 1 - Scenario of applicability of the TC4111 profile

The reference end system communicates with the remote end system through an Integrated Services Digital Network (ISDN). The reference end system is directly attached to the ISDN at an S/T reference point.

This part of ISO/IEC ISP 10609 specifies the required functions from the supporting protocol stack shown in figure 2.

Transport Layer	ISO/IEC 8073
Network Layer	ISO/IEC 9574 with ISO/IEC 8878
Data Link Layer	ISO/IEC 8208
Physical Layer	CCITT I.430 or I.431

Figure 2 - Protocol stack for TC4111 end system

At layer 1, CCITT I.430 is used for ISDN basic rate access and CCITT I.431 is used for primary rate access. At layer 2, ISO 7776 provides the LAPB Data Link procedures. At layer 3, ISO/IEC 8208 packet layer protocol is used in DTE/DTE mode. The provisions of ISO/IEC 8878 apply with regard to the mappings of the CONS primitives and parameters to and from the elements of the ISO/IEC 8208 packet layer protocol.

Network Service connection establishment and release are single stage processes, involving the establishment or release of a virtual call. This assumes that the Data Link layer connection is already established.

## 2 Normative references

The following documents contain provisions which, through reference in this text, constitute provisions of this part of ISO/IEC ISP 10609. At the time of publication, the editions indicated were valid. All documents are subject to revision, and parties to agreements based on this part of ISO/IEC ISP 10609 are warned against automatically applying any more recent editions of the documents listed below, since the nature of references made by ISPs to such documents is that they may be specific to a particular edition. Members of IEC and ISO maintain registers of currently valid International Standards and ISPs, and ITU-T maintains published editions of its current Recommendations.



ISO/IEC 9574:1992, *Information technology - Provision of the OSI connection-mode network service by packet mode terminal equipment connected to an integrated services digital network (ISDN)*.

ISO/IEC TR 10000-1:1992, *Information technology - Framework and taxonomy of International Standardized Profiles - Part 1: Framework*.

ISO/IEC TR 10000-2:1994, *Information technology - Framework and taxonomy of International Standardized Profiles - Part 2: Principles and Taxonomy for OSI Profiles*.

ISO/IEC ISP 10609-2:1992, *Information technology - International Standardized Profiles TB, TC, TD and TE - Connection-mode Transport Service over connection-mode Network Service - Part 2: Subnetwork-type independent requirements for Group TC*.

ISO/IEC ISP 10609-21:1995, *Information technology - International Standardized Profiles TB, TC, TD and TE - Connection-mode Transport Service over connection-mode Network Service - Part 21: Subnetwork-type dependent requirements for Network Layer and Data Link Layer for ISDN B-channel X.25 DTE to DTE operation*.

CCITT Rec. I.430 (1988), *Basic User-network Interface - Layer 1 Specification*.

CCITT Rec. I.431 (1988), *Primary Rate User-network Interface - Layer 1 Specification*.

## iTeh STANDARD PREVIEW (standards.iteh.ai)

### 3 Definitions

The terms used in this part of ISO/IEC ISP 10609 are defined in the referenced base standards (see clause 2).

<https://standards.iteh.ai/catalog/standards/sist/ff8bb97f-6827-4171-9820-3b0d7fd97c8a/iso-iec-isp-10609-32-1995>

### 4 Abbreviations

The following abbreviations are used in this part of ISO/IEC ISP 10609:

CONS	Connection Oriented Network Service
DTE	Data Terminating Equipment
IPRL	ISPICS Requirements List
ISDN	Integrated Services Digital Network
ISP	International Standardized Profile
ISPICS	ISP Implementation Conformance Statement
LAPB	Link Access Protocol Balanced
OSI	Open Systems Interconnection

## 5 Profile TC4111

### 5.1 Static conformance requirements

An implementation conforming to the profile defined in this part of ISO/IEC ISP 10609 shall support all the features specified as static conformance requirements of ISO/IEC ISP 10609 parts 2 and 21. It shall implement all the features identified as requirements in the ISPICS requirements list in annex A.