



SLOVENSKI STANDARD
SIST EN 14979:2006

01-april-2006

9a VUÜjUË`DfcÿbY`d`Ugh] bY#_cj]bg_Y`Ua]bUtbY`hi VY`Ë`A YfY`]b`fc`YfUbWV`Xi `WU
G%

Packaging - Flexible plastic/metal laminate tubes - Dimensions and tolerances of nozzle
S 13

Packmittel - Laminattuben - Maße und Toleranzen des S 13 Tubenhalses
ITeH STANDARD PREVIEW
(standards.iteh.ai)

Emballage - Tubes souples laminé métal/plastique - Dimensions et tolérances de la tige
de type S 13

<https://standards.iteh.ai/catalog/standards/sist/e7c43599-5dfa-490f-9f47-b537a00b3a64/sist-en-14979-2006>

Ta slovenski standard je istoveten z: EN 14979:2006

ICS:

55.120

Ú|| ^çã \^ĚV` à^

Cans. Tins. Tubes

SIST EN 14979:2006

en,fr,de

iTeh STANDARD PREVIEW
(standards.iteh.ai)

SIST EN 14979:2006

<https://standards.iteh.ai/catalog/standards/sist/e7c43599-5dfa-490f-9f47-b537a00b3a64/sist-en-14979-2006>

EUROPEAN STANDARD

EN 14979

NORME EUROPÉENNE

EUROPÄISCHE NORM

February 2006

ICS 55.120

English Version

Packaging - Flexible plastic/metal laminate tubes - Dimensions and tolerances of nozzle S 13

Emballage - Tubes souples laminé métal/plastique -
Dimensions et tolérances de la tige de type S 13

Packmittel - Laminattuben - Maße und Toleranzen des S
13 Tubenhalses

This European Standard was approved by CEN on 30 December 2005.

CEN members are bound to comply with the CEN/CENELEC Internal Regulations which stipulate the conditions for giving this European Standard the status of a national standard without any alteration. Up-to-date lists and bibliographical references concerning such national standards may be obtained on application to the Central Secretariat or to any CEN member.

This European Standard exists in three official versions (English, French, German). A version in any other language made by translation under the responsibility of a CEN member into its own language and notified to the Central Secretariat has the same status as the official versions.

CEN members are the national standards bodies of Austria, Belgium, Cyprus, Czech Republic, Denmark, Estonia, Finland, France, Germany, Greece, Hungary, Iceland, Ireland, Italy, Latvia, Lithuania, Luxembourg, Malta, Netherlands, Norway, Poland, Portugal, Romania, Slovakia, Slovenia, Spain, Sweden, Switzerland and United Kingdom.

[SIST EN 14979:2006](https://standards.iteh.ai/catalog/standards/sist/e7c43599-5dfa-490f-9f47-b537a00b3a64/sist-en-14979-2006)

<https://standards.iteh.ai/catalog/standards/sist/e7c43599-5dfa-490f-9f47-b537a00b3a64/sist-en-14979-2006>



EUROPEAN COMMITTEE FOR STANDARDIZATION
COMITÉ EUROPÉEN DE NORMALISATION
EUROPÄISCHES KOMITEE FÜR NORMUNG

Management Centre: rue de Stassart, 36 B-1050 Brussels

Contents	Page
Foreword.....	3
1 Scope	4
2 Normative references	4
3 Terms and definitions	4
4 Dimensions of a laminate tube without rondelle.....	5
5 Dimensions of a laminate tube with external rondelle	6
6 Materials	7
Bibliography.....	8

iTeh STANDARD PREVIEW
(standards.iteh.ai)

[SIST EN 14979:2006](https://standards.iteh.ai/catalog/standards/sist/e7c43599-5dfa-490f-9f47-b537a00b3a64/sist-en-14979-2006)

<https://standards.iteh.ai/catalog/standards/sist/e7c43599-5dfa-490f-9f47-b537a00b3a64/sist-en-14979-2006>

Foreword

This European Standard (EN 14979:2006) has been prepared by Technical Committee CEN/TC 261 "Packaging", the secretariat of which is held by AFNOR.

This European Standard shall be given the status of a national standard, either by publication of an identical text or by endorsement, at the latest by August 2006, and conflicting national standards shall be withdrawn at the latest by August 2006.

According to the CEN/CENELEC Internal Regulations, the national standards organizations of the following countries are bound to implement this European Standard: Austria, Belgium, Cyprus, Czech Republic, Denmark, Estonia, Finland, France, Germany, Greece, Hungary, Iceland, Ireland, Italy, Latvia, Lithuania, Luxembourg, Malta, Netherlands, Norway, Poland, Portugal, Romania, Slovakia, Slovenia, Spain, Sweden, Switzerland and United Kingdom.

iTeh STANDARD PREVIEW (standards.iteh.ai)

SIST EN 14979:2006

<https://standards.iteh.ai/catalog/standards/sist/e7c43599-5dfa-490f-9f47-b537a00b3a64/sist-en-14979-2006>

EN 14979:2006 (E)**1 Scope**

This European Standard specifies the measurements and tolerances of the S 13 nozzle of cylindrical flexible laminated tubes.

It is applicable to tubes used for packing pharmaceutical, cosmetic, hygiene, food and other domestic and industrial products.

2 Normative references

The following referenced documents are indispensable for the application of this document. For dated references, only the edition cited applies. For undated references, the latest edition of the referenced document (including any amendments) applies.

EN 12374:1998, *Packaging - Flexible tubes – Terminology*

3 Terms and definitions

For the purposes of this European Standard, the terms and definitions given in EN 12374:1998 and the following apply.

3.1
Ø A
outside thread diameter

3.2
Ø B
outside nozzle diameter

3.3
C
nozzle height

3.4
Ø D
neck ring diameter

3.5
E
distance to thread entrance

3.6
F
neck ring height

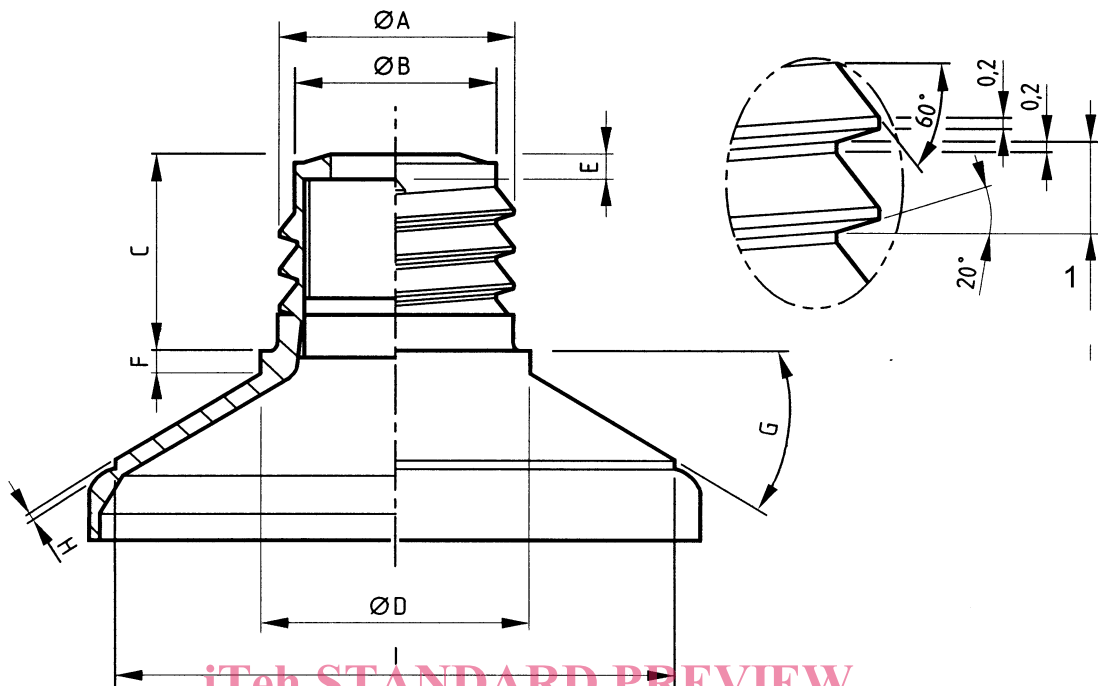
3.7
G
shoulder angle

3.8
H
step height

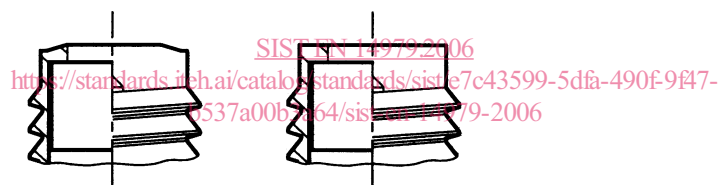
iTeh STANDARD PREVIEW
(standards.iteh.ai)

[SIST EN 14979:2006
https://standards.iteh.ai/catalog/standards/sist/e7c43599-5dfa-490f-9f47-b537a00b3a64/sist-en-14979-2006](https://standards.iteh.ai/catalog/standards/sist/e7c43599-5dfa-490f-9f47-b537a00b3a64/sist-en-14979-2006)

4 Dimensions of a laminate tube without rondelle



iTeh STANDARD PREVIEW
(standards.iteh.ai)



Version A

Version B

Key

1 Pitch 2,116

Figure 1 — Tube dimensions: standard nozzle configuration without rondelle

The dimensions of all the tubes shall be in accordance with Table 1.

Table 1 — Dimensions (measurements in mm, except G)

Tube Diameter \varnothing	$\varnothing A$	$\varnothing B$	C	$\varnothing D$	E	F	G
≤ 22 mm	$13,0 \pm 0,2$	$11,4 \pm 0,2$	$11,2 \pm 0,5$	$13,5 \pm 0,2$	$\geq 0,8$	$1,2 \pm 0,2$	$30^\circ \pm 0,5^\circ$
≥ 25 mm	$13,0 \pm 0,2$	$11,4 \pm 0,2$	$11,2 \pm 0,5$	$15,2 \pm 0,2$	$\geq 0,8$	$1,2 \pm 0,2$	$30^\circ \pm 0,5^\circ$

5 Dimensions of a laminate tube with external rondelle

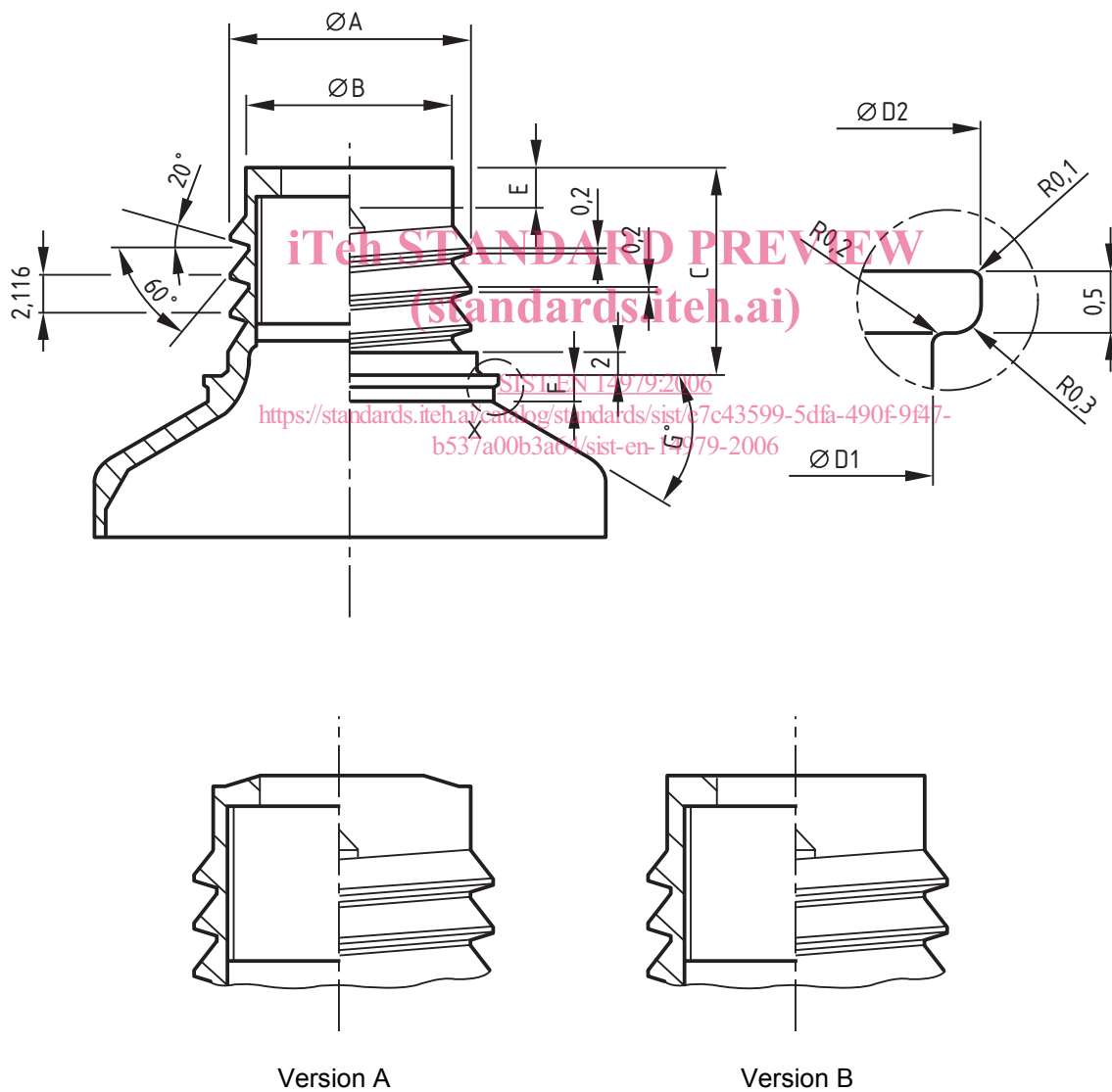


Figure 2 — Tube dimensions: standard nozzle configuration with rondelle

All tubes dimensions shall be in accordance with Table 2.

Table 2 — Dimensions (measurements in mm, except G)

Tube Diameter Ø	Ø A	Ø B	C	Ø D1	Ø D2	E	F	G
≤ 22 mm	13 ± 0,2	11,4 ± 0,2	11,2 ± 0,5	13,5 ± 0,1	13,9 ± 0,1	≥ 0,8	1,2 ± 0,2	30° ± 0,5°
≥ 25 mm	13 ± 0,2	11,4 ± 0,2	11,2 ± 0,5	15,1 ± 0,1	15,5 ± 0,1	≥ 0,8	1,2 ± 0,2	30° ± 0,5°

6 Materials

Polyethylene (PE) in different compositions.

It is possible to use other plastics not listed above. Allowance to do so should be the subject of a separate agreement between customer and supplier.

iTeh STANDARD PREVIEW
(standards.iteh.ai)

SIST EN 14979:2006

<https://standards.iteh.ai/catalog/standards/sist/e7c43599-5dfa-490f-9f47-b537a00b3a64/sist-en-14979-2006>