



SLOVENSKI STANDARD
SIST EN 144-1:2001/A2:2005
01-oktober-2005

CdfYa UnUj Ufcj Ub^X\ U'!JYbf]nUd]bg_Y^`Yb_Y!'%"XY.'BUj c]nUdf]`4 _Y

Respiratory protective devices - Gas cylinder valves - Part 1: Thread connections for insert connector

Atenschutzgeräte - Gasflaschenventile - Teil 1: Gewindeverbindung am Einschraubstutzen

iTeh STANDARD PREVIEW

(standards.iteh.ai)
Appareils de protection respiratoire - Robinets de bouteille a gaz - Partie 1 : Raccords de queue filetés

[SIST EN 144-1:2001/A2:2005](https://standards.iteh.ai/catalog/standards/sist/72ea6475-f7b8-4b3-bd50-45cd124c1ab4/sist-en-144-1-2001-a2-2005)

Ta slovenski standard je istoveten z: **EN 144-1:2000/A2:2005**

ICS:

13.340.30 Varovalne dihalne naprave Respiratory protective devices

SIST EN 144-1:2001/A2:2005 **en**

iTeh STANDARD PREVIEW
(standards.iteh.ai)

SIST EN 144-1:2001/A2:2005

<https://standards.iteh.ai/catalog/standards/sist/72ea6475-f7b8-4bf3-bd50-45cd124c1ab4/sist-en-144-1-2001-a2-2005>

ICS 13.340.30

English Version

Respiratory protective devices - Gas cylinder valves - Part 1:
Thread connections for insert connector

Appareils de protection respiratoire - Robinets de bouteille
à gaz - Partie 1 : Raccords de queue filetés

Atemschutzgeräte - Gasflaschenventile - Teil 1:
Gewindeverbindung am Einschraubstutzen

This amendment A2 modifies the European Standard EN 144-1:2000; it was approved by CEN on 26 May 2005.

CEN members are bound to comply with the CEN/CENELEC Internal Regulations which stipulate the conditions for inclusion of this amendment into the relevant national standard without any alteration. Up-to-date lists and bibliographical references concerning such national standards may be obtained on application to the Central Secretariat or to any CEN member.

This amendment exists in three official versions (English, French, German). A version in any other language made by translation under the responsibility of a CEN member into its own language and notified to the Central Secretariat has the same status as the official versions.

CEN members are the national standards bodies of Austria, Belgium, Cyprus, Czech Republic, Denmark, Estonia, Finland, France, Germany, Greece, Hungary, Iceland, Ireland, Italy, Latvia, Lithuania, Luxembourg, Malta, Netherlands, Norway, Poland, Portugal, Slovakia, Slovenia, Spain, Sweden, Switzerland and United Kingdom.

[SIST EN 144-1:2001/A2:2005](https://standards.iteh.ai/catalog/standards/sist/72ea6475-f7b8-4bf3-bd50-45cd124c1ab4/sist-en-144-1-2001-a2-2005)

<https://standards.iteh.ai/catalog/standards/sist/72ea6475-f7b8-4bf3-bd50-45cd124c1ab4/sist-en-144-1-2001-a2-2005>



EUROPEAN COMMITTEE FOR STANDARDIZATION
COMITÉ EUROPÉEN DE NORMALISATION
EUROPÄISCHES KOMITEE FÜR NORMUNG

Management Centre: rue de Stassart, 36 B-1050 Brussels

Foreword

This European Standard (EN 144-1:2000/A2:2005) has been prepared by Technical Committee CEN/TC 79 "Respiratory protective devices", the secretariat of which is held by DIN.

This Amendment to the European Standard EN 144-1:2000 shall be given the status of a national standard, either by publication of an identical text or by endorsement, at the latest by December 2005, and conflicting national standards shall be withdrawn at the latest by December 2005.

This Amendment to the European Standard EN 144-1:2000 has been prepared under a mandate given to CEN by the European Commission and the European Free Trade Association, and supports essential requirements of EU Directive(s).

According to the CEN/CENELEC Internal Regulations, the national standards organizations of the following countries are bound to implement this European Standard: Austria, Belgium, Cyprus, Czech Republic, Denmark, Estonia, Finland, France, Germany, Greece, Hungary, Iceland, Ireland, Italy, Latvia, Lithuania, Luxembourg, Malta, Netherlands, Norway, Poland, Portugal, Slovakia, Slovenia, Spain, Sweden, Switzerland and United Kingdom.

iTeh STANDARD PREVIEW
(standards.iteh.ai)

SIST EN 144-1:2001/A2:2005

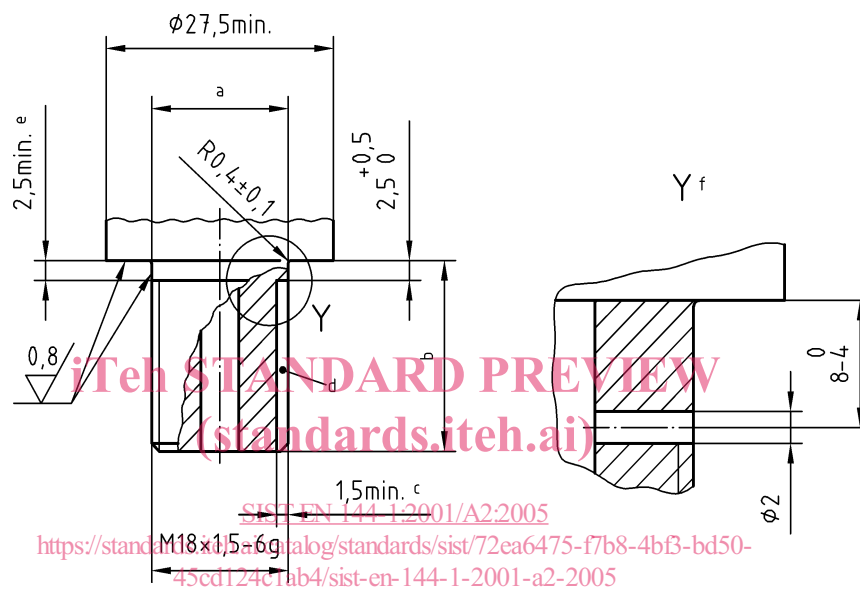
<https://standards.iteh.ai/catalog/standards/sist/72ea6475-f7b8-4bf3-bd50-45cd124c1ab4/sist-en-144-1-2001-a2-2005>

1 Modification to Figure 1

The following change shall be made to Figure 1:

Measure in detail Y shall be changed from $4 \begin{smallmatrix} +1 \\ 0 \end{smallmatrix}$ to $8 \begin{smallmatrix} 0 \\ -4 \end{smallmatrix}$

Dimensions in mm



Key

- a \varnothing 17,85 to 18,0
- b 22 to 24
- c Maximum groove depth 1,0 below root diameter of thread
- d Venting groove. Width of groove: 2 max. runout at choice of manufacturer
- e Thread runout to be compatible with Dimension A of Figure 3
- f The venting hole shall be replaced by a venting groove if the valve is equipped with a pressure limiting device

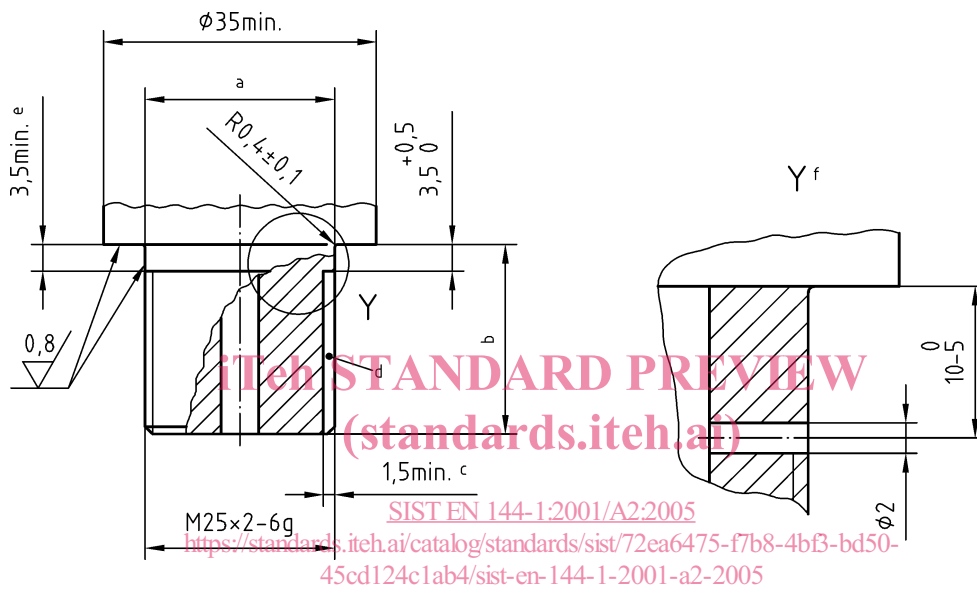
Figure 1 - Insert connector

2 Modification to Figure 4

The following change shall be made to Figure 4:

Measure in detail Y shall be changed from 5^{+1}_0 to 10^{+0}_{-5}

Dimensions in mm



Key

- a ϕ 24,8 to 25,0
- b 25 to 27
- c Maximum groove depth 1,0 below root diameter of thread
- d Venting groove. Width of groove: 2 max. runout at choice of manufacturer
- e Thread runout to be compatible with Dimension A of Figure 6
- f The venting hole shall be replaced by a venting groove if the valve is equipped with a pressure limiting device

Figure 4 - Insert connector