

INTERNATIONAL STANDARD

NORME INTERNATIONALE

AMENDMENT 2
AMENDEMENT 2

**Household and similar electrical appliances – Safety –
Part 2-52: Particular requirements for oral hygiene appliances**

**Appareils électrodomestiques et analogues – Sécurité –
Partie 2-52: Règles particulières pour les appareils d'hygiène buccale**

[IEC 60335-2-52:2002/AMD2:2017](https://standards.iteh.ai/iec/60335-2-52/2002/AMD2:2017)

<https://standards.iteh.ai/catalog/standards/iec/9707c424-590a-427f-8b2b-2dae2b3ed396/iec-60335-2-52-2002-amd2-2017>



THIS PUBLICATION IS COPYRIGHT PROTECTED
Copyright © 2017 IEC, Geneva, Switzerland

All rights reserved. Unless otherwise specified, no part of this publication may be reproduced or utilized in any form or by any means, electronic or mechanical, including photocopying and microfilm, without permission in writing from either IEC or IEC's member National Committee in the country of the requester. If you have any questions about IEC copyright or have an enquiry about obtaining additional rights to this publication, please contact the address below or your local IEC member National Committee for further information.

Droits de reproduction réservés. Sauf indication contraire, aucune partie de cette publication ne peut être reproduite ni utilisée sous quelque forme que ce soit et par aucun procédé, électronique ou mécanique, y compris la photocopie et les microfilms, sans l'accord écrit de l'IEC ou du Comité national de l'IEC du pays du demandeur. Si vous avez des questions sur le copyright de l'IEC ou si vous désirez obtenir des droits supplémentaires sur cette publication, utilisez les coordonnées ci-après ou contactez le Comité national de l'IEC de votre pays de résidence.

IEC Secretariat
3, rue de Varembe
CH-1211 Geneva 20
Switzerland

Tel.: +41 22 919 02 11
info@iec.ch
www.iec.ch

About the IEC

The International Electrotechnical Commission (IEC) is the leading global organization that prepares and publishes International Standards for all electrical, electronic and related technologies.

About IEC publications

The technical content of IEC publications is kept under constant review by the IEC. Please make sure that you have the latest edition, a corrigendum or an amendment might have been published.

IEC publications search - webstore.iec.ch/advsearchform

The advanced search enables to find IEC publications by a variety of criteria (reference number, text, technical committee, ...). It also gives information on projects, replaced and withdrawn publications.

IEC Just Published - webstore.iec.ch/justpublished

Stay up to date on all new IEC publications. Just Published details all new publications released. Available online and once a month by email.

IEC Customer Service Centre - webstore.iec.ch/csc

If you wish to give us your feedback on this publication or need further assistance, please contact the Customer Service Centre: sales@iec.ch.

IEC Products & Services Portal - products.iec.ch

Discover our powerful search engine and read freely all the publications previews. With a subscription you will always have access to up to date content tailored to your needs.

Electropedia - www.electropedia.org

The world's leading online dictionary on electrotechnology, containing more than 22 300 terminological entries in English and French, with equivalent terms in 19 additional languages. Also known as the International Electrotechnical Vocabulary (IEV) online.

A propos de l'IEC

La Commission Electrotechnique Internationale (IEC) est la première organisation mondiale qui élabore et publie des Normes internationales pour tout ce qui a trait à l'électricité, à l'électronique et aux technologies apparentées.

A propos des publications IEC

Le contenu technique des publications IEC est constamment revu. Veuillez vous assurer que vous possédez l'édition la plus récente, un corrigendum ou amendement peut avoir été publié.

Recherche de publications IEC -

webstore.iec.ch/advsearchform

La recherche avancée permet de trouver des publications IEC en utilisant différents critères (numéro de référence, texte, comité d'études, ...). Elle donne aussi des informations sur les projets et les publications remplacées ou retirées.

IEC Just Published - webstore.iec.ch/justpublished

Restez informé sur les nouvelles publications IEC. Just Published détaille les nouvelles publications parues. Disponible en ligne et une fois par mois par email.

Service Clients - webstore.iec.ch/csc

Si vous désirez nous donner des commentaires sur cette publication ou si vous avez des questions contactez-nous: sales@iec.ch.

IEC Products & Services Portal - products.iec.ch

Découvrez notre puissant moteur de recherche et consultez gratuitement tous les aperçus des publications. Avec un abonnement, vous aurez toujours accès à un contenu à jour adapté à vos besoins.

Electropedia - www.electropedia.org

Le premier dictionnaire d'électrotechnologie en ligne au monde, avec plus de 22 300 articles terminologiques en anglais et en français, ainsi que les termes équivalents dans 19 langues additionnelles. Egalement appelé Vocabulaire Electrotechnique International (IEV) en ligne.

INTERNATIONAL STANDARD

NORME INTERNATIONALE

AMENDMENT 2
AMENDEMENT 2

**Household and similar electrical appliances – Safety –
Part 2-52: Particular requirements for oral hygiene appliances**

**Appareils électrodomestiques et analogues – Sécurité –
Partie 2-52: Règles particulières pour les appareils d'hygiène buccale**

INTERNATIONAL
ELECTROTECHNICAL
COMMISSION

COMMISSION
ELECTROTECHNIQUE
INTERNATIONALE

ICS 13.120; 97.170

ISBN 978-2-8322-0000-0

**Warning! Make sure that you obtained this publication from an authorized distributor.
Attention! Veuillez vous assurer que vous avez obtenu cette publication via un distributeur agréé.**

FOREWORD

This amendment has been prepared by IEC technical committee 61: Safety of household and similar electrical appliances.

The text of this amendment is based on the following documents:

CDV	Report on voting
61/5314/CDV	61/5430A/RVC

Full information on the voting for the approval of this amendment can be found in the report on voting indicated in the above table.

The committee has decided that the contents of this amendment and the base publication will remain unchanged until the stability date indicated on the IEC web site under "http://webstore.iec.ch" in the data related to the specific publication. At this date, the publication will be

- reconfirmed,
- withdrawn,
- replaced by a revised edition, or
- amended.

NOTE The attention of National Committees is drawn to the fact that equipment manufacturers and testing organizations may need a transitional period following publication of a new, amended or revised IEC publication in which to make products in accordance with the new requirements and to equip themselves for conducting new or revised tests.

It is the recommendation of the committee that the content of this publication be adopted for implementation nationally not earlier than 12 months or later than 36 months from the date of publication.

<https://standards.iteh.ai/catalog/standards/iec/9707c421-936a-4271-8b2b-2dae2b3ed396/iec-60335-2-52-2002-amd2-2017>

2 Normative references

Replace the text by the following:

This clause of Part 1 is applicable except as follows.

Addition:

IEC 60584-1, *Thermocouples – Part 1: EMF specifications and tolerances*

11 Heating

Add the following new subclause:

11.3 Addition:

Where the external **accessible surfaces** are suitably flat and access permits, then the test probe of Figure 101 is used to measure the temperature rises of external **accessible surfaces** specified in Table 101. The probe is applied with a force of $4\text{ N} \pm 1\text{ N}$ to the surface

in such a way that the best possible contact between the probe and the surface is ensured. The measurement is performed after a contact period of 30 s.

The probe may be held in place using a laboratory stand clamp or similar device. Any measuring instrument giving the same results as the probe may be used.

Add the following new subclause:

11.8 Addition:

During the test, the temperature rises are monitored continuously and shall not exceed the values shown in Table 101.

Table 101 – Maximum temperature rises of external accessible surfaces under normal operating conditions

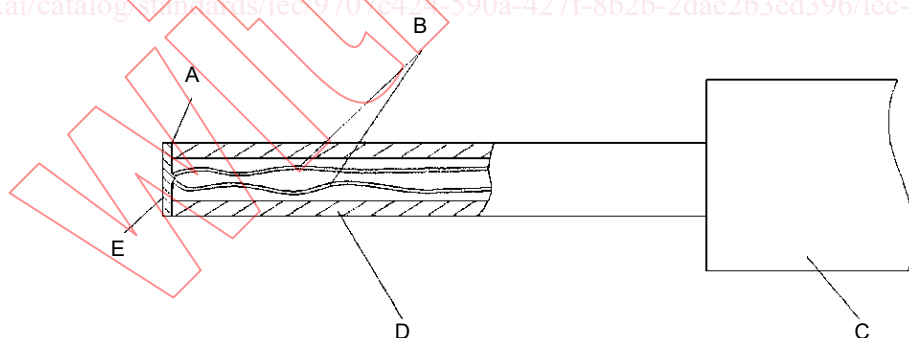
Surface	Temperature rise of external accessible surfaces K
Bare metal	38
Coated metal ^a	42
Glass and ceramic	51
Plastic and plastic coating > 0,4 mm ^{b, c}	58

^a Metal is considered coated when a coating having a minimum thickness of 90 µm made by enamel or non-substantially plastic coating is used.

^b The temperature rise limit of plastic also applies for plastic material having a metal finish of thickness less than 0,1 mm.

^c When the thickness of the plastic coating does not exceed 0,4 mm, the temperature rise limits of the coated metal or of glass and ceramic material apply.

Add the following new figure:



IEC

Key

- A adhesive
- B thermocouple wires 0,3 mm diameter according to IEC 60584-1 Type K (chrome alumel)
- C handle arrangement permitting a contact force of 4 N ± 1 N
- D polycarbonate tube: inside diameter 3 mm, outside diameter 5 mm
- E tinned copper disc: 5 mm diameter, 0,5 mm thick with flat contact face

Figure 101 – Probe for measuring surface temperatures

Bibliography

Replace the existing text by the following:

The bibliography of Part 1 is applicable.

iTeh Standards
(<https://standards.itih.ai>)
Document Preview

[IEC 60335-2-52:2002/AMD2:2017](https://standards.itih.ai/catalog/standards/iec/9707c424-590a-427f-8b2b-2dae2b3ed396/iec-60335-2-52-2002-amd2-2017)

<https://standards.itih.ai/catalog/standards/iec/9707c424-590a-427f-8b2b-2dae2b3ed396/iec-60335-2-52-2002-amd2-2017>