

INTERNATIONAL
STANDARD

ISO
8987

Second edition
1995-12-15

**Plastics — Phenolic resins —
Determination of reactivity on a
B-transformation test plate**

iTeh STANDARD PREVIEW

(standards.iteh.ai)

*Plastiques — Résines phénoliques — Méthode d'évaluation de la réactivité
sur plaque d'essai de transformation au stade B*

ISO 8987:1995

<https://standards.iteh.ai/catalog/standards/sist/70afc3b2-1f7d-4991-a12f-10269b79727d/iso-8987-1995>



Reference number
ISO 8987:1995(E)

Foreword

ISO (the International Organization for Standardization) is a worldwide federation of national standards bodies (ISO member bodies). The work of preparing International Standards is normally carried out through ISO technical committees. Each member body interested in a subject for which a technical committee has been established has the right to be represented on that committee. International organizations, governmental and non-governmental, in liaison with ISO, also take part in the work. ISO collaborates closely with the International Electrotechnical Commission (IEC) on all matters of electrotechnical standardization.

Draft International Standards adopted by the technical committees are circulated to the member bodies for voting. Publication as an International Standard requires approval by at least 75 % of the member bodies casting a vote.

International Standard ISO 8987 was prepared by Technical Committee ISO/TC 61, *Plastics*, Subcommittee SC 12, *Thermosetting materials*.

This second edition cancels and replaces the first edition (ISO 8987:1988) which has been revised so that, in both method A and method B, the test plate may be fitted with an integral heater.

<https://standards.iteh.ai/catalog/standards/sist/70afc3b2-1f7d-4991-a12f-10269b79727d/iso-8987-1995>

© ISO 1995

All rights reserved. Unless otherwise specified, no part of this publication may be reproduced or utilized in any form or by any means, electronic or mechanical, including photocopying and microfilm, without permission in writing from the publisher.

International Organization for Standardization

Case Postale 56 • CH-1211 Genève 20 • Switzerland

Printed in Switzerland

Plastics — Phenolic resins — Determination of reactivity on a B-transformation test plate

1 Scope

This International Standard specifies methods for the determination of the B-transformation time of phenolic resins at a specified temperature and under specified conditions on a heated test plate.

Two methods are described, each with a different test plate:

Method A — plate with depressions in the form of segments of spheres;

Method B — flat plate without depressions.

3.1.3 Glass rod, 5 mm in diameter, tapering to about 2 mm in diameter at one end.

3.1.4 Balance, scale interval 0,01 g.

3.1.5 Syringe.

3.1.6 Stopwatch, with at least 1 s sub-divisions.

3.1.7 B-transformation test plate, with depressions as shown in figure 1, with or without an integral heater.

2 Principle

The condensation of the phenolic resin is carried out to the B-stage on one of two types of test plate, depending on the method.

3 Method A: Determination on a plate with depressions

3.1 Apparatus

3.1.1 Thermostatic control device, permissible temperature variation $\pm 0,5$ °C.

3.1.2 Hotplate, on which the test plate can be arranged in a suitable manner to obtain optimum heat transfer.

NOTE 1 No hotplate is necessary if a test plate with an integral heater is used.

3.2 Number of tests

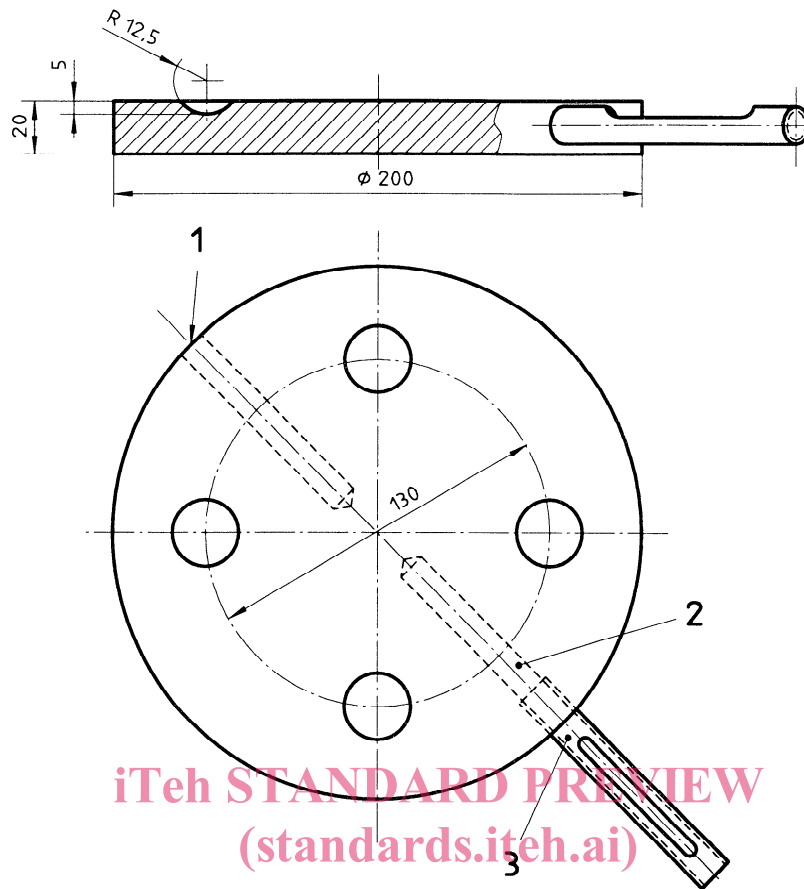
Conduct one or more tests, depending on the requirements of the appropriate International Standard or as agreed between the parties concerned.

3.3 Procedure

Bring the B-transformation test plate (3.1.7) to the required temperature and place a box, open on one side, round the test plate to provide protection against draughts. Pour $0,5 \text{ g} \pm 0,05 \text{ g}$ of phenolic resin into one of the depressions in the test plate and start the stopwatch (3.1.6) when the resin touches the plate. Liquid resins or phenolic resin solutions may be placed in the depression with a syringe (3.1.5). Stir the resin with the glass rod (3.1.3), using short circular movements from the edge of the depression towards the middle.

For longer B-transformation times, stir initially for one minute and then at one-minute intervals for 10 s in each case. If the B-transformation point is reached within a one-minute interval, repeat the test, knowing the approximate test time.

Dimensions in millimetres

**Key**

- 1 Hole for temperature sensor of thermostatic control device
 2 Hole for thermometer stem
 3 Protective metal tube for thermometer

ISO 8987:1995

<https://standards.iteh.ai/catalog/standards/sist/70afc3b2-1f7d-4991-a12f-10269b79727d/iso-8987-1995>

Figure 1 — B-transformation test plate

Towards the end of the test, when the resin becomes viscous, stir continuously. Briefly lift the rod to determine whether the resin will still form fibres. The B-transformation point is reached when resin fibres are no longer formed when the rod is briefly lifted, but instead the resin breaks away in a rubbery mass. When the resin reaches this state, stop the stopwatch. Report the measured time in minutes and seconds.

4 Method B: Determination on a flat plate without depressions

4.1 Apparatus

4.1.1 Thermostatic control device, permissible temperature variation $\pm 0,5$ °C.

4.1.2 Hotplate, on which the test plate can be arranged in a suitable manner to obtain optimum heat transfer.

NOTE 2 No hotplate is necessary if a test plate with an integral heater is used.

4.1.3 Spatula, about 10 cm long and 1,25 cm wide.

4.1.4 Balance, scale interval 0,01 g.

4.1.5 Syringe.

4.1.6 Stopwatch, with at least 1 s sub-divisions.

4.1.7 B-transformation test plate, measuring approximately 15 cm \times 15 cm, with a hard, chromium-plated surface and fitted with a thermometer in a thermometer well, with or without an integral heater.

4.2 Number of tests

Conduct one or more tests, depending on the requirements of the appropriate International Standard or as agreed between the parties concerned.

4.3 Procedure

Bring the test plate (4.1.7) to the required temperature. Pour $0,5 \text{ g} \pm 0,05 \text{ g}$ of resin on to the test plate. If the resin is in powder form, take a 1 cm high heap on the end of the spatula (4.1.3). If it is liquid, or in solution, place it on the test plate using the syringe (4.1.5). Start the stop-watch (4.1.6) at the same time as the resin touches the hotplate. As quickly as possible, distribute the resin uniformly over an area $4 \text{ cm} \times 7,5 \text{ cm}$, stroking the material back and forth with the flat end of the spatula. Keep the leading edge of the spatula up slightly and, using gentle pressure, continue the stroking action at the rate of one stroke every 3 s, reversing the direction at the end of each stroke. Do not remove the spatula completely from the curing resin until the test is completed.

Continue stroking until the material shows the characteristics of a set — that is, it no longer strings out and has gelled so that it is rubbery or suddenly becomes hard and stiff.

At this point, stop the stopwatch and record the elapsed time in minutes and seconds. Scrape the cured resin off the plate at once. Take care not to scratch the surface of the plate.

5 Precision (test error)

Repeatability: $\pm 4 \%$

Reproducibility: $\pm 10 \%$

6 Test report

The test report shall include the following information:

- a) a reference to this International Standard and the method used (method A or B);
- b) all details necessary for complete identification of the sample tested;
- c) the temperature of the test plate;
- d) the B-transformation time (individual values and mean value).

ITEH STANDARD PREVIEW
(standards.iteh.ai)

ISO 8987:1995

<https://standards.iteh.ai/catalog/standards/sist/70afc3b2-1f7d-4991-a12f-10269b79727d/iso-8987-1995>

iTeh STANDARD PREVIEW
This page intentionally left blank
(standards.iteh.ai)

ISO 8987:1995

<https://standards.iteh.ai/catalog/standards/sist/70afc3b2-1f7d-4991-a12f-10269b79727d/iso-8987-1995>

iTeh STANDARD PREVIEW
This page intentionally left blank
(standards.iteh.ai)

ISO 8987:1995

<https://standards.iteh.ai/catalog/standards/sist/70afc3b2-1f7d-4991-a12f-10269b79727d/iso-8987-1995>

iTeh STANDARD PREVIEW
(standards.iteh.ai)

ISO 8987:1995

<https://standards.iteh.ai/catalog/standards/sist/70afc3b2-1f7d-4991-a12f-10269b79727d/iso-8987-1995>

ICS 83.080.10

Descriptors: plastics, resins, phenoplasts, tests, determination, chemical reactivity.

Price based on 3 pages
