

INTERNATIONAL  
STANDARD

ISO  
2419

IULTCS/  
IUP 1 and IUP 3

Second edition  
2002-12-15

---

---

**Leather — Physical and mechanical  
tests — Sample preparation and  
conditioning**

*Cuir — Essais physiques et mécaniques — Préparation et conditionnement  
des échantillons*

**iTeh STANDARD PREVIEW**  
**(standards.iteh.ai)**

[ISO 2419:2002](https://standards.iteh.ai/catalog/standards/sist/b39f829d-40cc-4e5d-8381-049a30e0854e/iso-2419-2002)

<https://standards.iteh.ai/catalog/standards/sist/b39f829d-40cc-4e5d-8381-049a30e0854e/iso-2419-2002>



Reference number  
ISO 2419:2002(E)  
IULTCS/IUP 1 and IUP 3

© ISO 2002

**PDF disclaimer**

This PDF file may contain embedded typefaces. In accordance with Adobe's licensing policy, this file may be printed or viewed but shall not be edited unless the typefaces which are embedded are licensed to and installed on the computer performing the editing. In downloading this file, parties accept therein the responsibility of not infringing Adobe's licensing policy. The ISO Central Secretariat accepts no liability in this area.

Adobe is a trademark of Adobe Systems Incorporated.

Details of the software products used to create this PDF file can be found in the General Info relative to the file; the PDF-creation parameters were optimized for printing. Every care has been taken to ensure that the file is suitable for use by ISO member bodies. In the unlikely event that a problem relating to it is found, please inform the Central Secretariat at the address given below.

**iTeh STANDARD PREVIEW**  
**(standards.iteh.ai)**

[ISO 2419:2002](https://standards.iteh.ai/catalog/standards/sist/b39f829d-40cc-4e5d-8381-049a30e0854e/iso-2419-2002)

<https://standards.iteh.ai/catalog/standards/sist/b39f829d-40cc-4e5d-8381-049a30e0854e/iso-2419-2002>

© ISO 2002

All rights reserved. Unless otherwise specified, no part of this publication may be reproduced or utilized in any form or by any means, electronic or mechanical, including photocopying and microfilm, without permission in writing from either ISO at the address below or ISO's member body in the country of the requester.

ISO copyright office  
Case postale 56 • CH-1211 Geneva 20  
Tel. + 41 22 749 01 11  
Fax + 41 22 749 09 47  
E-mail [copyright@iso.org](mailto:copyright@iso.org)  
Web [www.iso.org](http://www.iso.org)

Published in Switzerland

## Contents

	Page
Foreword .....	iv
1 Scope .....	1
2 Terms and definitions.....	1
3 Standard atmospheres .....	1
4 Design of press knives.....	1
5 Preparation of test pieces .....	2
6 Conditioning .....	2
7 Testing .....	2
8 Test report .....	2

## iTeh STANDARD PREVIEW (standards.iteh.ai)

ISO 2419:2002

<https://standards.iteh.ai/catalog/standards/sist/b39f829d-40cc-4e5d-8381-049a30e0854e/iso-2419-2002>

## Foreword

ISO (the International Organization for Standardization) is a worldwide federation of national standards bodies (ISO member bodies). The work of preparing International Standards is normally carried out through ISO technical committees. Each member body interested in a subject for which a technical committee has been established has the right to be represented on that committee. International organizations, governmental and non-governmental, in liaison with ISO, also take part in the work. ISO collaborates closely with the International Electrotechnical Commission (IEC) on all matters of electrotechnical standardization.

International Standards are drafted in accordance with the rules given in the ISO/IEC Directives, Part 2.

The main task of technical committees is to prepare International Standards. Draft International Standards adopted by the technical committees are circulated to the member bodies for voting. Publication as an International Standard requires approval by at least 75 % of the member bodies casting a vote.

Attention is drawn to the possibility that some of the elements of this document may be the subject of patent rights. ISO shall not be held responsible for identifying any or all such patent rights.

ISO 2419 was prepared by the Physical Test Commission of the International Union of Leather Technologists and Chemists Societies (IUP Commission, IULTCS) in collaboration with the European Committee for Standardization (CEN) Technical Committee CEN/TC 289, *Leather*, the secretariat of which is held by UNI, in accordance with the Agreement on technical cooperation between ISO and CEN (Vienna Agreement). It is based on IUP 1 and IUP 3 originally published in *J. Soc. Leather Trades Chemists* **42**, p. 382, (1958) and **42**, p. 386, (1958) respectively and declared official methods of the IULTCS in 1959. Updated versions were published in *J. Soc. Leather Tech. Chem.* **82**, p. 199, (1998) and further revisions published in *J. Soc. Leather Tech. Chem.* **84**, p. 241, (2000) and reconfirmed as official methods in March 2001. This edition of ISO 2419 differs from the previous 1972 version in that there is additional information included on the design of press knives taken from IUP 1 and the wording for Standard Atmospheres has been amended.

This second edition cancels and replaces the first edition (ISO 2419:1972), which has been technically revised.

# Leather — Physical and mechanical tests — Sample preparation and conditioning

## 1 Scope

This International Standard specifies the preparation of leather test pieces for physical and mechanical testing together with two standard atmospheres for conditioning and testing.

It is applicable to all types of dry leather.

## 2 Terms and definitions

For the purposes of this document, the following terms and definitions apply.

### 2.1

#### atmosphere

ambient conditions defined by the parameters temperature and relative humidity

### 2.2

#### standard atmosphere

atmosphere maintained within prescribed tolerances, in which a test piece is kept for a given period of time before being subjected to testing. The air should be free moving to ensure uniformity of atmosphere

### 2.3

#### conditioning

operation designed to bring a test piece into a specified condition in relation to temperature and relative humidity by keeping it for a given period of time in the standard atmosphere with free access of moving air to all surfaces

## 3 Standard atmospheres

The standard atmosphere and tolerances shall be as given in Table 1.

Table 1 — Standard atmospheres and tolerances

Designation	Temperature	Relative Humidity
	°C	%
20/65	$20 \pm 2$	$65 \pm 5$
An alternative, but not equivalent, set of conditions may be used		
23/50	$23 \pm 2$	$50 \pm 5$

## 4 Design of press knives

The design of press knives is shown in Figure 1. The internal surfaces shall be perpendicular to the plane which contains the cutting edge. The angle formed between the internal and external surfaces of the press knife at the cutting edge shall be  $20^\circ \pm 1^\circ$ , and the wedge of this angle shall be of a depth ( $d$ ) exceeding the thickness of the leather.

NOTE Hardened, knife grade steel is suitable for press knives.

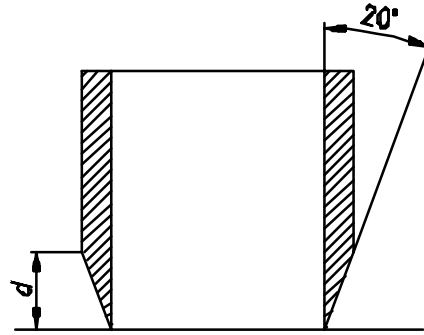


Figure 1 — Design of press knives

## 5 Preparation of test pieces

Sample in accordance with ISO 2418.

Prepare test pieces by applying the press knife to the grain surface (or simulated grain surface) if present. If no grain or simulated grain is present, apply the press knife to either surface. If preferred, leather may be conditioned (see clause 6) before test pieces are prepared.

iTeh STANDARD PREVIEW  
(standards.iteh.ai)

## 6 Conditioning

Condition the test piece by keeping it in one of the standard atmospheres specified in Table 1. Support the test piece to allow free access of air to all surfaces, keeping the air in motion around the test piece (see 2.2). Condition the test pieces for a minimum of 48 h prior to testing.

## 7 Testing

Carry out the testing in the same standard atmosphere as that in which the test piece was conditioned unless otherwise specified in the individual test method.

## 8 Test report

The test report shall include the following information:

- reference to this International Standard, i.e. ISO 2419 : 2002;
- the standard atmosphere used for conditioning and testing, as given in this standard, i.e. 20 °C/65 % , or 23 °C/50 %;
- any deviation from the method specified in this standard;
- all details for identification of the sample and any deviation from ISO 2418 with respect to sampling.

**iTeh STANDARD PREVIEW**  
**(standards.iteh.ai)**

ISO 2419:2002

<https://standards.iteh.ai/catalog/standards/sist/b39f829d-40cc-4e5d-8381-049a30e0854e/iso-2419-2002>

**iTeh STANDARD PREVIEW**  
**(standards.iteh.ai)**

ISO 2419:2002

<https://standards.iteh.ai/catalog/standards/sist/b39f829d-40cc-4e5d-8381-049a30e0854e/iso-2419-2002>

---

---

**ICS 59.140.30**

Price based on 2 pages