
**Specimen dimensions and procedure for
cross tension testing resistance spot and
embossed projection welds**

*Dimensions des éprouvettes et mode opératoire pour l'essai de traction sur
éprouvettes en croix des soudures par résistance par points et par
bossages*

iTeh **STANDARD PREVIEW**
(standards.iteh.ai)

[ISO 14272:2000](https://standards.iteh.ai/catalog/standards/sist/0c623d2d-54b9-473f-a2cf-0e8bde2305f4/iso-14272-2000)

<https://standards.iteh.ai/catalog/standards/sist/0c623d2d-54b9-473f-a2cf-0e8bde2305f4/iso-14272-2000>



PDF disclaimer

This PDF file may contain embedded typefaces. In accordance with Adobe's licensing policy, this file may be printed or viewed but shall not be edited unless the typefaces which are embedded are licensed to and installed on the computer performing the editing. In downloading this file, parties accept therein the responsibility of not infringing Adobe's licensing policy. The ISO Central Secretariat accepts no liability in this area.

Adobe is a trademark of Adobe Systems Incorporated.

Details of the software products used to create this PDF file can be found in the General Info relative to the file; the PDF-creation parameters were optimized for printing. Every care has been taken to ensure that the file is suitable for use by ISO member bodies. In the unlikely event that a problem relating to it is found, please inform the Central Secretariat at the address given below.

iTeh STANDARD PREVIEW
(standards.iteh.ai)

ISO 14272:2000

<https://standards.iteh.ai/catalog/standards/sist/0c623d2d-54b9-473f-a2cf-0e8bde2305f4/iso-14272-2000>

© ISO 2000

All rights reserved. Unless otherwise specified, no part of this publication may be reproduced or utilized in any form or by any means, electronic or mechanical, including photocopying and microfilm, without permission in writing from either ISO at the address below or ISO's member body in the country of the requester.

ISO copyright office
Case postale 56 • CH-1211 Geneva 20
Tel. + 41 22 749 01 11
Fax + 41 22 749 09 47
E-mail copyright@iso.ch
Web www.iso.ch

Printed in Switzerland

Foreword

ISO (the International Organization for Standardization) is a worldwide federation of national standards bodies (ISO member bodies). The work of preparing International Standards is normally carried out through ISO technical committees. Each member body interested in a subject for which a technical committee has been established has the right to be represented on that committee. International organizations, governmental and non-governmental, in liaison with ISO, also take part in the work. ISO collaborates closely with the International Electrotechnical Commission (IEC) on all matters of electrotechnical standardization.

International Standards are drafted in accordance with the rules given in the ISO/IEC Directives, Part 3.

Draft International Standards adopted by the technical committees are circulated to the member bodies for voting. Publication as an International Standard requires approval by at least 75 % of the member bodies casting a vote.

Attention is drawn to the possibility that some of the elements of this International Standard may be the subject of patent rights. ISO shall not be held responsible for identifying any or all such patent rights.

International Standard ISO 14272 was prepared in collaboration with the International Institute of Welding, which has been approved by the ISO Council as an international standardizing body in the field of welding.

iTeh STANDARD PREVIEW (standards.iteh.ai)

[ISO 14272:2000](https://standards.iteh.ai/catalog/standards/sist/0c623d2d-54b9-473f-a2cf-0e8bde2305f4/iso-14272-2000)

<https://standards.iteh.ai/catalog/standards/sist/0c623d2d-54b9-473f-a2cf-0e8bde2305f4/iso-14272-2000>

iTeh STANDARD PREVIEW
(standards.iteh.ai)

ISO 14272:2000

<https://standards.iteh.ai/catalog/standards/sist/0c623d2d-54b9-473f-a2cf-0e8bde2305f4/iso-14272-2000>

Specimen dimensions and procedure for cross tension testing resistance spot and embossed projection welds

1 Scope

This International Standard specifies specimen dimensions and a testing procedure for the cross tension testing of spot and projection welds in overlapping sheets in any metallic material of thickness 0,5 mm to 3 mm, where the welds have a maximum diameter of $7\sqrt{t}$ (where t is the sheet thickness in mm).

The object of cross tension testing is to determine the tensile force that the test specimen can sustain.

2 Normative reference

The following normative document contains provisions which, through reference in this text, constitute provisions of this International Standard. For dated references, subsequent amendments to, or revisions of, any of these publications do not apply. However, parties to agreements based on this International Standard are encouraged to investigate the possibility of applying the most recent editions of the normative documents indicated below. For undated references, the latest edition of the normative document referred to applies. Members of ISO and IEC maintain registers of currently valid International Standards.

ISO 7500-1, *Metallic materials — Verification of static uniaxial testing machines — Part 1: Tension/compression testing machines — Verification and calibration of the force-measuring system.*

3 Terms and definitions

For the purposes of this International Standard, the following terms and definitions apply.

3.1

cross tension force

maximum force obtained from the test

3.2

plug diameter

d_p

(plug failure) mean diameter of the plug

See Figure 1 a).

3.3

weld diameter

d

(partial plug failure) mean diameter of the fused zone measured at the interface omitting the corona bond area and the maximum diameter of the plug component of the failure

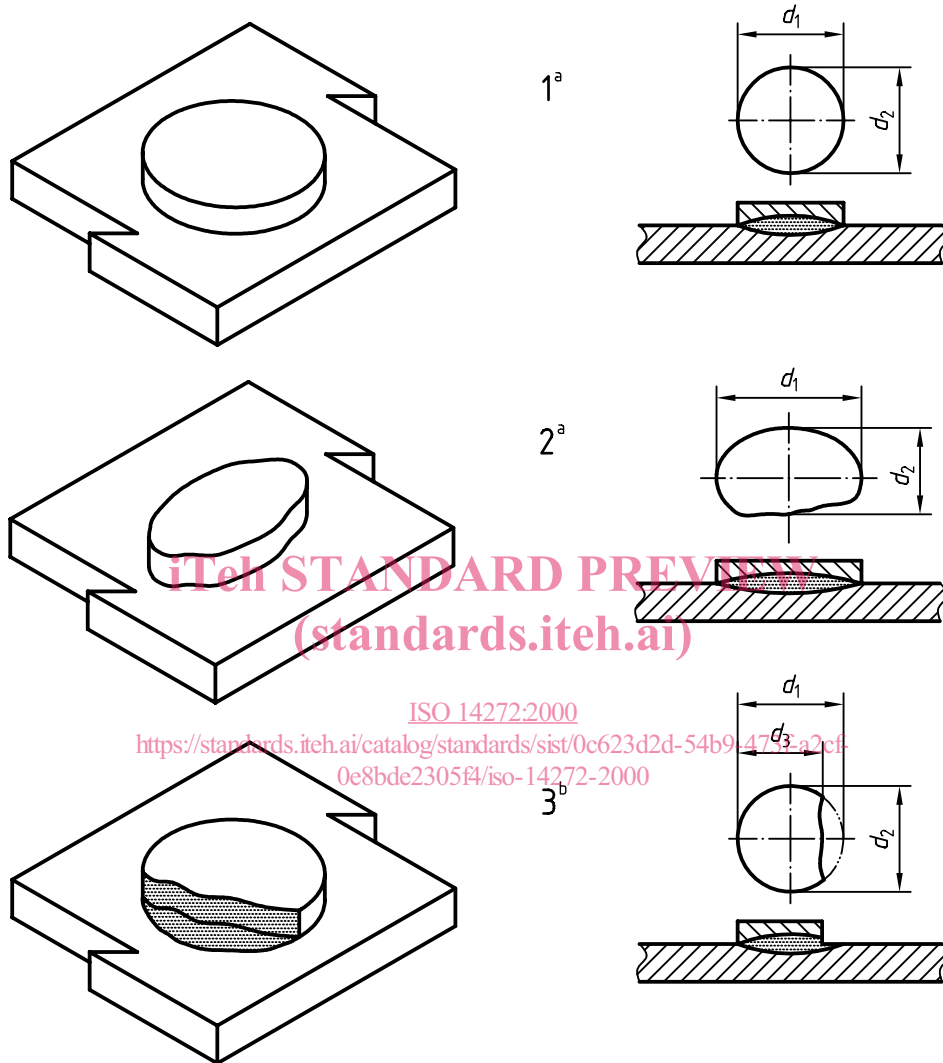
See Figure 1 a).

NOTE Measurement of the minimum diameter of the plug component should be quoted separately.

3.4
weld diameter

d
(interface failure) mean diameter of the fused zone measured at the interface, omitting the corona bond area

See Figure 1 b).



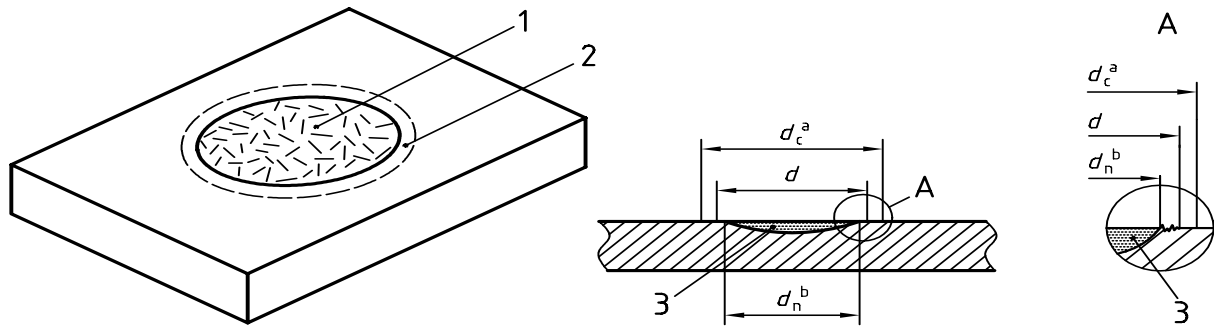
Key

- 1 Symmetrical
- 2 Asymmetrical
- 3 Partial

a $d = d_p = (d_1 + d_2)/2$

b $d = (d_1 + d_2)/2$ and $d_p = (d_2 + d_3)/2$

a) Weld with plug (slug) failure

**Key**

- 1 Sheared nugget
- 2 Corona bond zone
- 3 Nugget
- ^a Diameter of the corona.
- ^b Diameter of the nugget.

b) Weld with interface failure, $d < d_c$

Figure 1 — Measurement of weld size

4 Test specimen

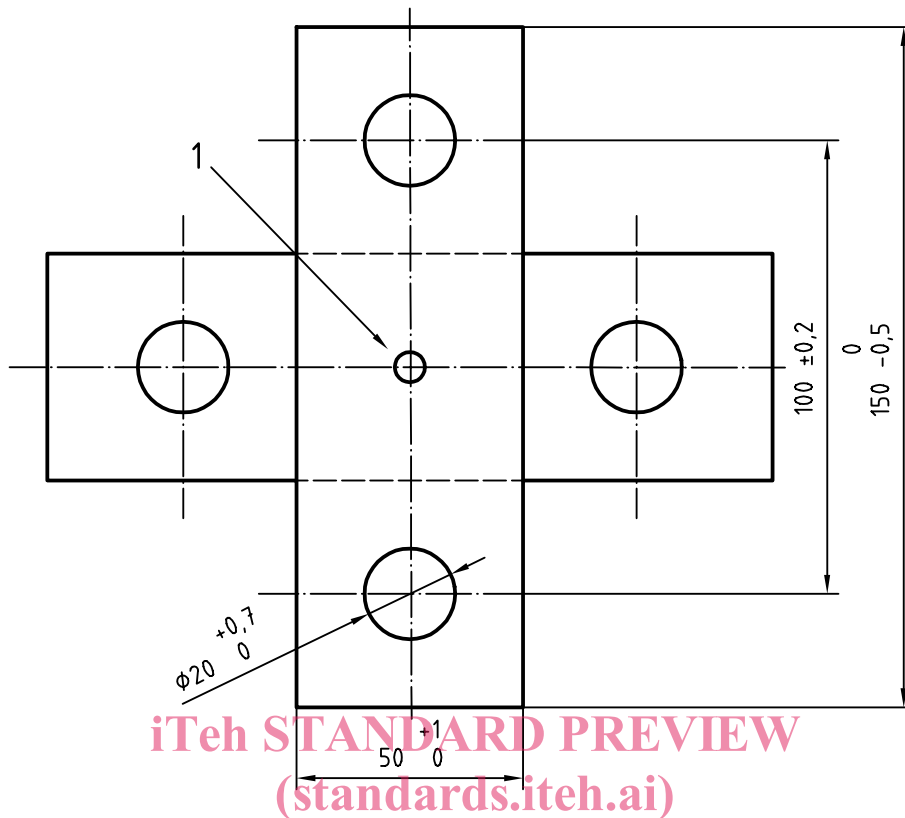
iTeh STANDARD PREVIEW

(standards.iteh.ai)
 Test specimen configuration and dimensions are shown in Figure 2 a). Figure 2 b) illustrates an example of a jig which can be used for welding the two sheets. Two punched strips are placed at right angles to each other, held in the jig, and welded together. The minimum number of specimens tested shall be eleven.

ISO 14272:2000
<https://standards.iteh.ai/catalog/standards/sist/0c623d2d-54b9-473f-a2cf-0e8bde2305f4/iso-14272-2000>

5 Test equipment and testing procedure

The specimen is held in clamps as shown in Figure 3 and pulled apart in a tensile testing machine which satisfies the requirements of ISO 7500-1. The cross tension force shall be measured during testing and the weld diameter determined from the broken test specimen. All tests shall be carried out at room temperature.



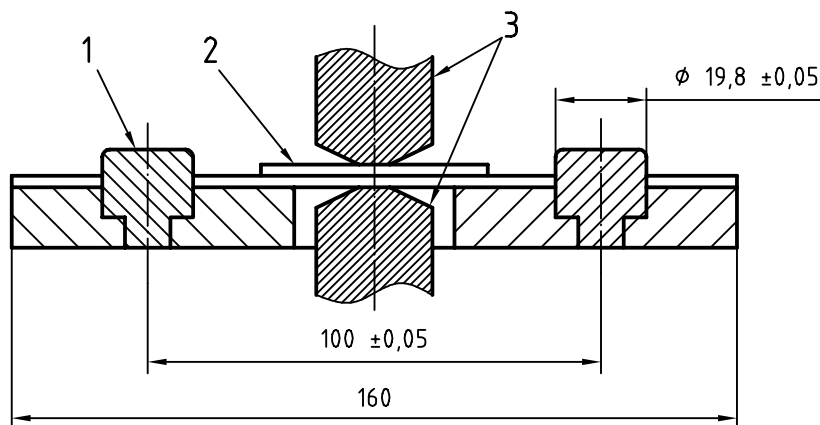
Key

- 1 Weld

ISO 14272:2000

<https://standards.iteh.ai/catalog/standards/sist/0c623d2d-54b9-473f-a2cf-0e8bde2305f4/iso-14272-2000>

a) Cross tension specimen



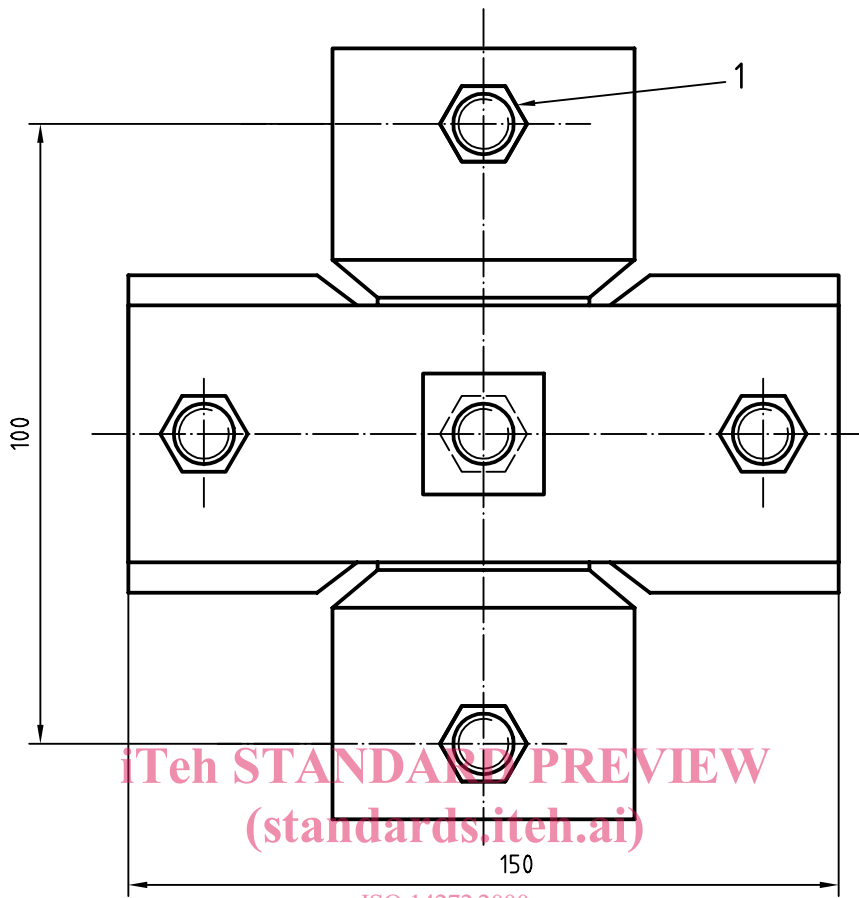
Key

- 1 Jig
- 2 Specimen
- 3 Welding electrode

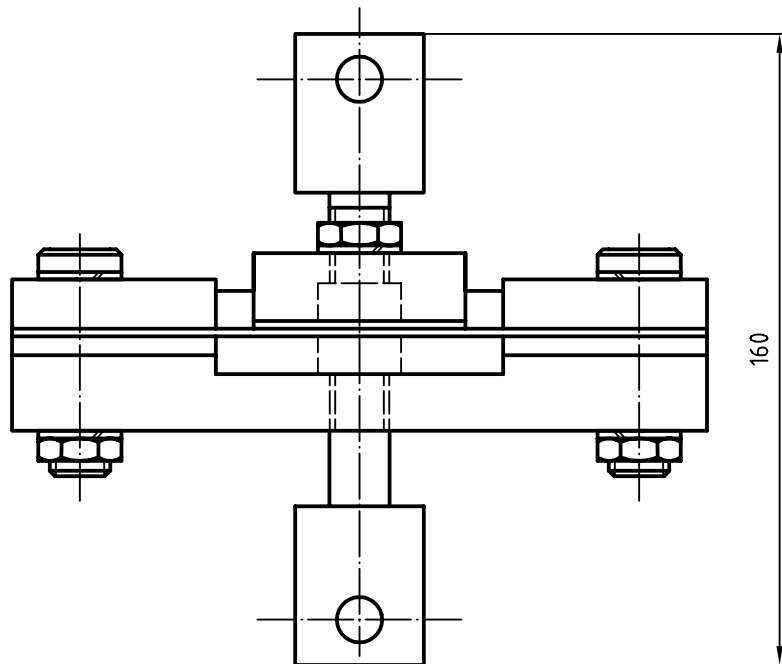
b) Cross tension specimen in welding jig

Figure 2 — Cross tension test

Dimensions in millimetres



<https://standards.iteh.ai/catalog/standards/sist/0c623d2d-54b9-473f-a2cf-0e8bde2305f4/iso-14272-2000>



Key

- 1 Clamping screw M12 × 43LG

Figure 3 — Cross tension specimen in testing clamps