
Škatle in ohišja za električno opremo za gospodinjstvo in podobne nepremične električne inštalacije - 1. del: Splošne zahteve (IEC 60670-1:2002/A1:2011, spremenjen)

Boxes and enclosures for electrical accessories for household and similar fixed electrical installations - Part 1: General requirements (IEC 60670-1:2002/A1:2011, modified)

Dosen und Gehäuse für Installationsgeräte für Haushalt und ähnliche ortsfeste elektrische Installationen - Teil 1: Allgemeine Anforderungen (IEC 60670-1:2002/A1:2011, modifiziert) (standards.iteh.ai)

Boîtes et enveloppes pour appareillage électrique pour installations électriques fixes pour usages domestiques et analogues - Partie 1: Règles générales (IEC 60670-1:2002/A1:2011, modifié)

Ta slovenski standard je istoveten z: EN 60670-1:2005/A1:2013

ICS:

29.120.99	Druga električna dodatna oprema	Other electrical accessories
-----------	---------------------------------	------------------------------

SIST EN 60670-1:2006/A1:2013 **en**

iTeh STANDARD PREVIEW
(standards.iteh.ai)

[SIST EN 60670-1:2006/A1:2013](https://standards.iteh.ai/catalog/standards/sist/7e0c1163-c620-4863-9b6e-7d3f2517c2d5/sist-en-60670-1-2006-a1-2013)

<https://standards.iteh.ai/catalog/standards/sist/7e0c1163-c620-4863-9b6e-7d3f2517c2d5/sist-en-60670-1-2006-a1-2013>

EUROPEAN STANDARD
NORME EUROPÉENNE
EUROPÄISCHE NORM

EN 60670-1/A1

April 2013

ICS 29.120.10

English version

**Boxes and enclosures for electrical accessories for household and similar fixed electrical installations -
Part 1: General requirements**
(IEC 60670-1:2002/A1:2011, modified)

Boîtes et enveloppes pour appareillage électrique pour installations électriques fixes pour usages domestiques et analogues -
Partie 1: Règles générales
(CEI 60670-1:2002/A1:2011, modifié)

Dosen und Gehäuse für Installationsgeräte für Haushalt und ähnliche ortsfeste elektrische Installationen -
Teil 1: Allgemeine Anforderungen
(IEC 60670-1:2002/A1:2011, modifiziert)

iTeh STANDARD PREVIEW
(standards.iteh.ai)

This amendment A1 modifies the European Standard EN 60670-1:2005; it was approved by CENELEC on 2012-12-31. CENELEC members are bound to comply with the CEN/CENELEC Internal Regulations which stipulate the conditions for giving this amendment the status of a national standard without any alteration.

Up-to-date lists and bibliographical references concerning such national standards may be obtained on application to the CEN-CENELEC Management Centre or to any CENELEC member.

This amendment exists in three official versions (English, French, German). A version in any other language made by translation under the responsibility of a CENELEC member into its own language and notified to the CEN-CENELEC Management Centre has the same status as the official versions.

CENELEC members are the national electrotechnical committees of Austria, Belgium, Bulgaria, Croatia, Cyprus, the Czech Republic, Denmark, Estonia, Finland, Former Yugoslav Republic of Macedonia, France, Germany, Greece, Hungary, Iceland, Ireland, Italy, Latvia, Lithuania, Luxembourg, Malta, the Netherlands, Norway, Poland, Portugal, Romania, Slovakia, Slovenia, Spain, Sweden, Switzerland, Turkey and the United Kingdom.

CENELEC

European Committee for Electrotechnical Standardization
Comité Européen de Normalisation Electrotechnique
Europäisches Komitee für Elektrotechnische Normung

Management Centre: Avenue Marnix 17, B - 1000 Brussels

Contents

Page

Foreword	3
7 Classification	4
8 Marking	4
10 Protection against electric shock	4
11 Provision for earthing	4
12 Construction	4
13 Resistance to ageing, protection against ingress of solid objects and against harmful ingress of water	6
15 Mechanical strength	6
16 Resistance to heat	6
Figures	6
Annex ZA (normative) Normative references to international publications with their corresponding European publications	10
Annex ZB (normative) Special national conditions	11

SIST EN 60670-1:2006/A1:2013

<https://standards.iteh.ai/catalog/standards/sist/7e0c1163-c620-4863-9b6e-7d3f2517c2d5/sist-en-60670-1-2006-a1-2013>

Foreword

This document (EN 60670-1:2005/A1:2013) consists of the text of IEC 60670-1:2002/A1:2011 prepared by IEC/SC 23B "Plugs, socket-outlets and switches" of IEC/TC 23 "Electrical accessories", together with the common modifications prepared by CLC/TC 23BX "Switches, boxes and enclosures for household and similar purposes, plugs and socket outlets for d.c. and for the charging of electrical vehicles including their connectors".

The following dates are fixed:

- latest date by which this document has to be implemented (dop) 2013-12-31
at national level by publication of an identical national standard or by endorsement
- latest date by which the national standards conflicting (dow) 2017-12-31
with this document have to be withdrawn

Annexes which are additional to those in IEC 60670-1:2002/A1:2011 are prefixed "Z".

Attention is drawn to the possibility that some of the elements of this document may be the subject of patent rights. CENELEC [and/or CEN] shall not be held responsible for identifying any or all such patent rights.

This standard covers the Principle Elements of the Safety Objectives for Electrical Equipment Designed for Use within Certain Voltage Limits (LVD - 2006/95/EC).

<https://standards.iteh.ai/catalog/standards/sist/7e0c1163-c620-4863-9b6e-7d3f2517e2d5/sist-en-60670-1-2006-a1-2013>

Endorsement notice

The text of the International Standard IEC 60670-1:2002/A1:2011 was approved by CENELEC as a European Standard with agreed common modifications

COMMON MODIFICATIONS

7 Classification

Table 1

The IEC modification is not applicable.

8 Marking

8.1 The IEC modification is not applicable.

Add the following:

Replacement of the 2nd sentence of item d) by:

When the declared IP code is higher than IP4X or higher than IPX2 it shall be on the outside of the enclosure so as to be easily discernible when the enclosure is mounted and wired as for normal use.

8.2 The IEC modification is not applicable.

10 Protection against electric shock

Replace of the last sentence by:

The probe is applied to all places, where yielding of insulating material could impair the safety, with a force of 75 N except membranes, grommets, knock-outs and the like.

Add the following note:

NOTE Knock-outs are tested according to 12.8.2.

11 Provision for earthing

11.2 The IEC modification is not applicable.

12 Construction

12.1.2 Replace three times “test probe A” by “test probe B”.

Replace in Table 2 “test finger” by “test probe B of EN 61032”.

12.3 Add the following after the 2nd paragraph:

In case there is a cavity, the head of the screw can be protected by an additional cap of insulating material. In this case the manufacturers instruction shall give information concerning the cap to be used.

In case there is no cavity the head of the screw shall be protected with a cap of insulating material in this case, the cap shall be delivered with the box.

The cap shall stay in position during normal use.

Compliance is checked by the following test.

The caps are fixed to the boxes according to the manufacturer's instructions and subjected to the ageing test of 13.1.

After 1 h, the boxes are then turned to a position with the opening in the direction of the floor.

The cap shall not come detached.

12.5 The IEC modification is not applicable.

12.8 Replacement of the title by:

12.8 Knock-outs

12.8.1 General

Replacement of the 1st, 2nd, 3rd paragraphs by:

It shall be possible to remove knock-outs without damaging the box.

Knock-outs intended for use with cables shall be free from chips or burrs.

knock-outs intended for use with conduits and/or a grommet or a membrane, chips and burrs are disregarded.

Replacement of the 7th paragraph by:

This requirement does not apply to a blanking-plug which is assembled by threading into a threaded inlet.

12.8.4 Replacement of the 1st paragraph by:

Knock-outs intended for the use of grommets, glands or fittings shall be located in flat surfaces to permit grommets, glands or fittings to be placed fully against these surfaces when installed as intended.

12.9 The IEC modification is not applicable.

Addition before the 3rd paragraph of the following:

Screws or other fixing means made from insulating material similar to screws without standardised thread which have to be tightened by any tool for fixing covers shall be tested according to the manufacturer's instructions (e.g. torque value which could be different from Table 4 , nature of the tool,.....).

12.10 The IEC title is not applicable.

Replacement of 'Figure Z1', 'Figure Z2' and 'Figure Z3' by 'Figure 22', 'Figure 23' and 'Figure 24' respectively.

12.11 Replacement of the title and the 1st sentence by:

12.11 Boxes and enclosures classified according to 7.2.1.3

Boxes and enclosures for hollow walls classified according to 7.2.1.3 shall provide suitable means for fixing the box or the enclosure to hollow walls.

12.13 The IEC modification is not applicable.

12.14 The IEC modification is not applicable.

13 Resistance to ageing, protection against ingress of solid objects and against harmful ingress of water

13.2 The IEC modification is not applicable.

15 Mechanical strength

15.2 Renumber reference 15.2.1 into 15.2.

16 Resistance to heat

16.3 The IEC modification is not applicable.

Figures

Figure 4 – The IEC modification is not applicable.

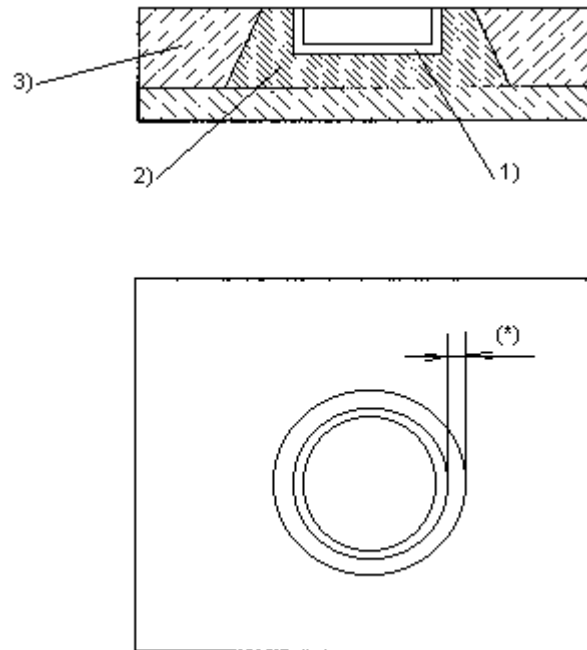
Figure 19 – The IEC modification is not applicable.

Replacement of Figures Z1, Z2 and Z3 by Figures 22, 23 and 24:

iTeh STANDARD PREVIEW (standards.iteh.ai)

[SIST EN 60670-1:2006/A1:2013](https://standards.iteh.ai/catalog/standards/sist/7e0c1163-c620-4863-9b6e-7d3f2517c2d5/sist-en-60670-1-2006-a1-2013)

<https://standards.iteh.ai/catalog/standards/sist/7e0c1163-c620-4863-9b6e-7d3f2517c2d5/sist-en-60670-1-2006-a1-2013>

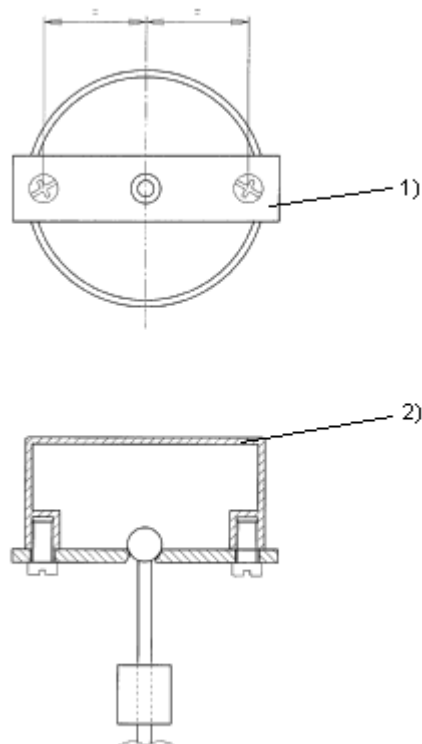
**Key**

- 1) specimen
- 2) plaster
- 3) block of wood

- (*) The gap between the main external profile of the box and the internal profile of the receptacle shall be at least 20 mm, and for parts which project from the main profile never less than 10 mm.

Figure 22 – Example of mounting block for boxes to be embedded in masonry (flush type and semi-flush type) according to 12.10

iTeh STANDARD PREVIEW
(standards.iteh.ai)



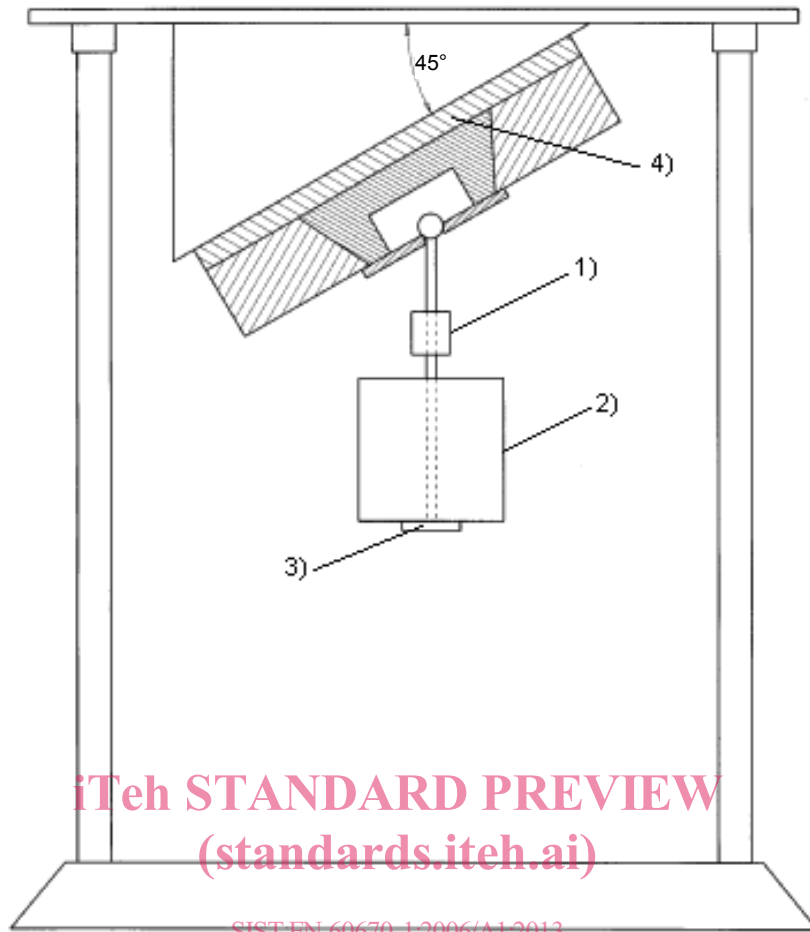
iTeh STANDARD PREVIEW
(standards.iteh.ai)

Key

- 1) auxiliary device
- 2) specimen

Figure 23 – Example of the fixing of the auxiliary device mounted on a specimen according to 12.10

SIST EN 60670-1:2006/A1:2013
<https://standards.iteh.ai/catalog/standards/sist/760c1163-8670-4863-9b6e-7d3f2517c2d5/sist-en-60670-1-2006-a1-2013>



iTeh STANDARD PREVIEW
(standards.iteh.ai)

SIST EN 60670-1:2006/A1:2013

<https://standards.iteh.ai/catalog/standards/sist/7e0c1163-c620-4863-9b6e-7d3f2517c2d5/sist-en-60670-1-2006-a1-2013>

Key

- 1) supplementary weight (SW)
- 2) principal weight (PW)
- 3) carrier (C)
- 4) mounting plate (A)

Figure 24 – Example of test apparatus for the test according to 12.10

Replacement of the title of Figure 25 by

Figure 25 – Example of the protected volume (see 13.3.4)

Replacement of the title of Figure 26 by

Figure 26 – Demonstration of the non-penetration of the internal volume (see Clause 10)

Annex ZA (normative)

Normative references to international publications with their corresponding European publications

Add the following new reference to the Annex ZA of EN 60670-1:2005:

<u>Publication</u>	<u>Year</u>	<u>Title</u>	<u>EN/HD</u>	<u>Year</u>
IEC 62444	2010	Cable glands for electrical installations	-	-

iTeh STANDARD PREVIEW
(standards.iteh.ai)

[SIST EN 60670-1:2006/A1:2013](https://standards.iteh.ai/catalog/standards/sist/7e0c1163-c620-4863-9b6e-7d3f2517c2d5/sist-en-60670-1-2006-a1-2013)

<https://standards.iteh.ai/catalog/standards/sist/7e0c1163-c620-4863-9b6e-7d3f2517c2d5/sist-en-60670-1-2006-a1-2013>