
Kroglasti drsni zgibi - 2. del: Poševni kroglasti drsni zgibi

Spherical plain bearings -- Part 2: Angular contact radial spherical plain bearings

Rotules lisses -- Partie 2: Rotules lisses radiales à contact oblique

Ta slovenski standard je istoveten z: **ISO 12240-2:1998**

[SIST ISO 12240-2:2001](https://standards.iteh.ai/catalog/standards/sist/3eb2671e-89c8-4bcb-8f1c-87c1361579d7/sist-iso-12240-2-2001)

<https://standards.iteh.ai/catalog/standards/sist/3eb2671e-89c8-4bcb-8f1c-87c1361579d7/sist-iso-12240-2-2001>

ICS:

21.100.10 Drsni ležaji Plain bearings

SIST ISO 12240-2:2001**en**

iTeh STANDARD PREVIEW
(standards.iteh.ai)

[SIST ISO 12240-2:2001](#)

<https://standards.iteh.ai/catalog/standards/sist/3eb2671e-89c8-4bcb-8ffc-87c1361579d7/sist-iso-12240-2-2001>

INTERNATIONAL
STANDARD

ISO
12240-2

First edition
1998-08-15

Spherical plain bearings —

Part 2:

Angular contact radial spherical plain bearings

Rotules lisses —

Partie 2: Rotules lisses radiales à contact oblique

iTeh STANDARD PREVIEW
(standards.iteh.ai)

[SIST ISO 12240-2:2001](https://standards.iteh.ai/catalog/standards/sist/3eb2671e-89c8-4bcb-8ffc-87c1361579d7/sist-iso-12240-2-2001)

<https://standards.iteh.ai/catalog/standards/sist/3eb2671e-89c8-4bcb-8ffc-87c1361579d7/sist-iso-12240-2-2001>



Reference number
ISO 12240-2:1998(E)

ISO 12240-2:1998(E)

Foreword

ISO (the International Organization for Standardization) is a worldwide federation of national standard bodies (ISO member bodies). The work of preparing International Standards is normally carried out through ISO technical committees. Each member body interested in a subject for which a technical committee has been established has the right to be represented on that committee. International organizations, governmental and non-governmental, in liaison with ISO, also take part in the work. ISO collaborates closely with the International Electrotechnical Commission (IEC) on all matters of electrotechnical standardization.

Draft International Standards adopted by the technical committees are circulated to the member bodies for voting. Publication as an International Standard requires approval by at least 75 % of the member bodies casting a vote.

International Standard ISO 12240-2 was prepared by Technical Committee ISO/TC 4, *Rolling bearings*, Subcommittee SC 7, *Spherical plain bearings*.

ISO 12240 consists of the following parts, under the general title *Spherical plain bearings*:

- *Part 1: Radial spherical plain bearings*
- *Part 2: Angular contact radial spherical plain bearings*
- *Part 3: Thrust spherical plain bearings*
- *Part 4: Spherical plain bearing rod ends*

© ISO 1998

All rights reserved. Unless otherwise specified, no part of this publication may be reproduced or utilized in any form or by any means, electronic or mechanical, including photocopying and microfilm, without permission in writing from the publisher.

International Organization for Standardization
Case postale 56 • CH-1211 Genève 20 • Switzerland
Internet iso@iso.ch

Printed in Switzerland

Spherical plain bearings —

Part 2:

Angular contact radial spherical plain bearings

1 Scope

This part of ISO 12240 specifies dimensions and tolerances for angular contact radial spherical plain bearings.

The specified tolerance values apply to finished, angular contact radial spherical plain bearings before any coating or plating.

Angular contact radial spherical plain bearings need not conform to the design illustrated but compliance is required as regards dimensions and tolerances specified.

NOTE — Angular contact radial spherical plain bearings for airframe applications are not covered by this part of ISO 12240.

iteh STANDARD PREVIEW
(standards.iteh.ai)

2 Normative references

[SIST ISO 12240-2:2001](https://standards.iteh.ai/catalog/standards/sist/3eb2671e-89c8-4bcb-8ffc-87c1361579d7/sist-iso-12240-2-2001)

<https://standards.iteh.ai/catalog/standards/sist/3eb2671e-89c8-4bcb-8ffc-87c1361579d7/sist-iso-12240-2-2001>

The following standards contain provisions which, through reference in this text, constitute provisions of this part of ISO 12240. At the time of publication, the editions indicated were valid. All standards are subject to revision, and parties to agreements based on this part of ISO 12240 are encouraged to investigate the possibility of applying the most recent editions of the standards indicated below. Members of IEC and ISO maintain registers of currently valid International Standards.

ISO 582 : 1995, *Rolling bearings – Chamfer dimensions – Maximum values*.

ISO 1132-1: —¹⁾, *Rolling bearings – Tolerances – Part 1: Terms and definitions*.

ISO 6811:1998, *Spherical plain bearings – Vocabulary*.

3 Definitions and symbols

For the purposes of this part of ISO 12240, the definitions given in ISO 1132-1 and ISO 6811 apply. The symbols (except those for tolerances) shown in figure 1 and the values given in the tables denote nominal dimensions unless specified otherwise.

<i>B</i>	Inner ring width
<i>C</i>	Outer ring width
<i>D</i>	Outside diameter
<i>D</i> ₁	Bore diameter of outer ring

1) To be published. (Revision of ISO 1132:1980)

d	Bore diameter
d_1	Outside diameter of inner ring
d_k	Sphere diameter
$r_{s \min}^{2)}$	Smallest single chamfer dimension, inner ring
$r_{1s \min}^{2)}$	Smallest single chamfer dimension, outer ring
s	Distance between sphere diameter centre and inner ring back face
T	Bearing width
V_{Dmp}	Variation of mean outside diameter
V_{dmp}	Variation of mean bore diameter
V_{Dp}	Variation of outside diameter in a single radial plane
V_{dp}	Variation of bore diameter in a single radial plane
Δ_{Bs}	Deviation of a single inner ring width
Δ_{Cs}	Deviation of a single outer ring width
Δ_{Dmp}	Deviation of mean outside diameter in a single plane
Δ_{dmp}	Deviation of mean bore diameter in a single plane
Δ_{Ts}	Deviation of the actual bearing width

ITIH STANDARD PREVIEW
(standards.iteh.ai)

4 Dimensions and tolerances

SIST ISO 12240-2:2001

<https://standards.iteh.ai/catalog/standards/sist/3eb2671e-89c8-4bcb-8ffc-87c1361579d7/sist-iso-12240-2-2001>

4.1 Dimensions

See figure 1 and table 1.

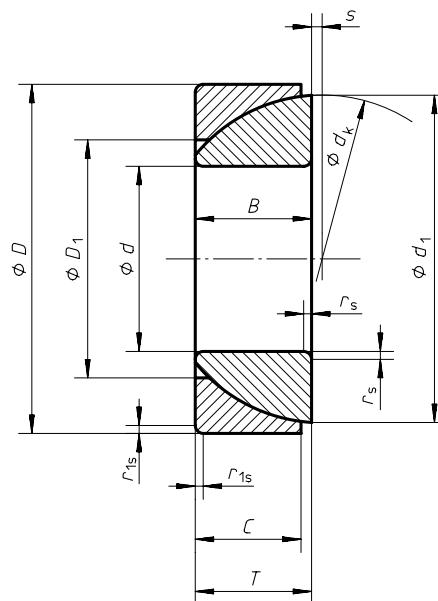


Figure 1 — Angular contact radial spherical plain bearing, dimension series A

2) The corresponding maximum chamfer dimensions are given in table 1 of ISO 582:1995.

Table 1 — Dimensions for angular contact radial spherical plain bearings, dimension series A

Dimensions in millimetres

d	D	B max.	C max.	T	d_k ¹⁾	d_1 ≈	D_1 max.	s ≈	r_s, r_{1s} min.
25	47	15	14	15	42	41,5	32	1	0,6
28	52	16	15	16	47	46,5	36	1	1
30	55	17	16	17	50	49,5	37	2	1
32	58	17	16	17	52	51,5	40	2	1
35	62	18	17	18	56	55,5	43	2	1
40	68	19	18	19	61	60,5	48	2	1
45	75	20	19	20	67	66,5	54	3	1
50	80	20	19	20	74	73,5	60	4	1
55	90	23	22	23	81	80	63	5	1,5
60	95	23	22	23	87	86	69	5	1,5
65	100	23	22	23	93	92	77	6	1,5
70	110	25	24	25	102	101	83	7	1,5
75	115	25	24	25	106	105	87	7	1,5
80	125	29	27	29	115	113,5	92	9	1,5
85	130	29	27	29	121	119	98	10	1,5
90	140	32	30	32	129	127	104	11	2
95	145	32	30	32	133	131,5	109	9	2
100	150	32	31	32	141	138,5	115	12	2
105	160	35	33	35	149	146,5	120	13	2,5
110	170	38	36	38	158	155	127	14	2,5
120	180	38	37	38	169	165	137	16	2,5
130	200	45	43	45	188	184	149	18	2,5
140	210	45	43	45	198	194	162	19	2,5
150	225	48	46	48	211	207	172	20	3
160	240	51	49	51	225	221	183	20	3
170	260	57	55	57	246	242	195	21	3
180	280	64	61	64	260	256	207	21	3
190	290	64	62	64	275	270	213	26	3
200	310	70	66	70	290	285	230	26	3

1) Reference only.

4.2 Tolerances

See tables 2 and 3.

Table 2 — Tolerances for inner ring and bearing width

d mm		Δ_{dmp} μm		V_{dp} μm max.	V_{dmp} μm max.	Δ_{Bs} μm		Δ_{Ts} μm	
over	including	high	low			high	low	high	low
–	50	0	– 12	12	9	0	– 240	+250	– 400
50	80	0	– 15	15	11	0	– 300	+250	– 500
80	120	0	– 20	20	15	0	– 400	+250	– 600
120	180	0	– 25	25	19	0	– 500	+350	– 700
180	200	0	– 30	30	23	0	– 600	+350	– 800

Table 3 — Tolerances for outer ring

D mm		Δ_{Dmp} μm		V_{Dp} μm max.	V_{Dmp} μm max.	Δ_{Cs} μm	
over	including	high	low			high	low
–	50	0	– 14	14	11	0	– 240
50	80	0	– 16	16	12	0	– 300
80	120	0	– 18	18	14	0	– 400
120	150	0	– 20	20	15	0	– 500
150	180	0	– 25	25	19	0	– 500
180	250	0	– 30	30	23	0	– 600
250	315	0	– 35	35	26	0	– 700