

SLOVENSKI STANDARD

SIST EN 61804-2:2018

01-junij-2018

Nadomešča:

SIST EN 61804-2:2007

Funkcijski bloki (FB) za nadzor procesov in opisni jezik za elektronske naprave (EDDL) - 2. del: Specifikacija koncepta FB (IEC 61804-2:2018)

Function blocks (FB) for process control and electronic device description language (EDDL) - Part 2: Specification of FB concept (IEC 61804-2:2018)

Funktionsbausteine für die Prozessautomation und elektronische Gerätebeschreibungssprache - Teil 2: Festlegung des Funktionsbausteinkonzepts (IEC 61804-2:2018)

Blocs fonctionnels (FB) pour les procédés industriels et le langage de description électronique du produit (EDDL) - Partie 2: Specification du concept de FB (IEC 61804-2:2018)

Ta slovenski standard je istoveten z: EN IEC 61804-2:2018

ICS:

| | | |
|-----------|--|--|
| 25.040.40 | Merjenje in krmiljenje industrijskih postopkov | Industrial process measurement and control |
| 35.240.50 | Uporabniške rešitve IT v industriji | IT applications in industry |

SIST EN 61804-2:2018

en,fr,de

iTeh STANDARD PREVIEW
(standards.iteh.ai)

Full standard:
<https://standards.iteh.ai/catalog/standards/sist/2b101d8f-0e8c-43a4-915c-68a4299f949c/sist-en-61804-2-2018>

EUROPEAN STANDARD

EN IEC 61804-2

NORME EUROPÉENNE

EUROPÄISCHE NORM

March 2018

ICS 25.040.40; 35.240.50

Supersedes EN 61804-2:2007

English Version

Function blocks (FB) for process control and electronic device
description language (EDDL) - Part 2: Specification of FB
concept
(IEC 61804-2:2018)

Blocs fonctionnels (FB) pour les procédés industriels et le
langage de description électronique du produit (EDDL) -
Partie 2: Spécification du concept de FB
(IEC 61804-2:2018)

Funktionsbausteine für die Prozessautomation und
elektronische Gerätebeschreibungssprache - Teil 2:
Festlegung des Funktionsbausteinkonzepts
(IEC 61804-2:2018)

This European Standard was approved by CENELEC on 2018-02-14. CENELEC members are bound to comply with the CEN/CENELEC Internal Regulations which stipulate the conditions for giving this European Standard the status of a national standard without any alteration.

Up-to-date lists and bibliographical references concerning such national standards may be obtained on application to the CEN-CENELEC Management Centre or to any CENELEC member.

This European Standard exists in three official versions (English, French, German). A version in any other language made by translation under the responsibility of a CENELEC member into its own language and notified to the CEN-CENELEC Management Centre has the same status as the official versions.

CENELEC members are the national electrotechnical committees of Austria, Belgium, Bulgaria, Croatia, Cyprus, the Czech Republic, Denmark, Estonia, Finland, Former Yugoslav Republic of Macedonia, France, Germany, Greece, Hungary, Iceland, Ireland, Italy, Latvia, Lithuania, Luxembourg, Malta, the Netherlands, Norway, Poland, Portugal, Romania, Serbia, Slovakia, Slovenia, Spain, Sweden, Switzerland, Turkey and the United Kingdom.



European Committee for Electrotechnical Standardization
Comité Européen de Normalisation Electrotechnique
Europäisches Komitee für Elektrotechnische Normung

CEN-CENELEC Management Centre: Rue de la Science 23, B-1040 Brussels

EN IEC 61804-2:2018 (E)**European foreword**

The text of document 65E/567/FDIS, future edition 3 of IEC 61804-2, prepared by IEC/SC 65E "Devices and integration in enterprise systems" of IEC/TC 65 "Industrial-process measurement, control and automation" was submitted to the IEC-CENELEC parallel vote and approved by CENELEC as EN IEC 61804-2:2018.

The following dates are fixed:

- latest date by which the document has to be implemented at national level by publication of an identical national standard or by endorsement (dop) 2018-11-14
- latest date by which the national standards conflicting with the document have to be withdrawn (dow) 2021-02-14

This document supersedes EN 61804-2:2007.

Attention is drawn to the possibility that some of the elements of this document may be the subject of patent rights. CENELEC shall not be held responsible for identifying any or all such patent rights.

Endorsement notice

The text of the International Standard IEC 61804-2:2018 was approved by CENELEC as a European Standard without any modification.

In the official version, for Bibliography, the following notes have to be added for the standards indicated:

| | | |
|------------------|------|--------------------------------|
| IEC 60854-1 | NOTE | Harmonized as EN 60854-1. |
| IEC 61131-3 | NOTE | Harmonized as EN 61131-3. |
| IEC 61804 series | NOTE | Harmonized as EN 61804 series. |
| IEC 61804-3 | NOTE | Harmonized as EN 61804-3. |
| IEC 61804-5 | NOTE | Harmonized as EN 61804-5. |

Annex ZA (normative)

Normative references to international publications with their corresponding European publications

The following documents are referred to in the text in such a way that some or all of their content constitutes requirements of this document. For dated references, only the edition cited applies. For undated references, the latest edition of the referenced document (including any amendments) applies.

NOTE 1 Where an International Publication has been modified by common modifications, indicated by (mod), the relevant EN/HD applies.

NOTE 2 Up-to-date information on the latest versions of the European Standards listed in this annex is available here: www.cenelec.eu.

| <u>Publication</u> | <u>Year</u> series | <u>Title</u> | <u>EN/HD</u> | <u>Year</u> series |
|--------------------|-----------------------|---|--------------|-----------------------|
| IEC 61158 | | Industrial communication networks - Fieldbus specifications - Part 1: Overview and guidance for the IEC 61158 and IEC 61784 series | EN 61158 | |
| IEC 61499-1 | 2012 | Function blocks -- Part 1: Architecture | EN 61499-1 | 2013 |
| ISO/IEC 7498-1 | - | Information technology - Open Systems Interconnection - Basic Reference Model: The Basic Model | | - |

iTeh STANDARD PREVIEW
 (standards.iteh.ai)
 Full standard:
<https://standards.iteh.ai/catalog/standards/sist/2b101d3-0e8c-43a4-915c-68a4299f949c/sist-en-61804-2-2018>

iTeh STANDARD PREVIEW
(standards.iteh.ai)

Full standard:
<https://standards.iteh.ai/catalog/standards/sist/2b101d8f-0e8c-43a4-915c-68a4299f949c/sist-en-61804-2-2018>



IEC 61804-2

Edition 3.0 2018-01

INTERNATIONAL STANDARD

NORME INTERNATIONALE



**Function blocks (FB) for process control and electronic device description
language (EDDL) –
Part 2: Specification of FB concept**

**Blocs fonctionnels (FB) pour les procédés industriels et langage de description
electronique de produit (EDDL) –
Partie 2: Spécification du concept de FB**

INTERNATIONAL
ELECTROTECHNICAL
COMMISSION

COMMISSION
ELECTROTECHNIQUE
INTERNATIONALE

ICS 25.040.40; 35.240.50

ISBN 978-2-8322-5128-7

**Warning! Make sure that you obtained this publication from an authorized distributor.
Attention! Veuillez vous assurer que vous avez obtenu cette publication via un distributeur agréé.**

CONTENTS

| | |
|---|----|
| FOREWORD..... | 5 |
| INTRODUCTION..... | 7 |
| 1 Scope..... | 9 |
| 2 Normative references | 9 |
| 3 Terms, definitions, abbreviated terms and conventions..... | 9 |
| 3.1 Terms and definitions..... | 9 |
| 3.2 Abbreviated terms..... | 18 |
| 3.3 Conventions for lexical structures | 19 |
| 4 General function block (FB) definition and EDD model..... | 20 |
| 4.1 Device structure (device model)..... | 20 |
| 4.1.1 Device model description | 20 |
| 4.1.2 FB type..... | 23 |
| 4.1.3 FB execution..... | 25 |
| 4.1.4 Reference between IEC 61499 and IEC 61804 models | 26 |
| 4.1.5 UML specification of the device model..... | 26 |
| 4.1.6 Classification of the algorithms | 28 |
| 4.1.7 Algorithm description | 29 |
| 4.1.8 Input and output variables and parameter definition..... | 29 |
| 4.1.9 Choice of variables and parameters | 30 |
| 4.1.10 Mode, Status and Diagnosis | 30 |
| 4.2 Block combinations | 30 |
| 4.2.1 Measurement channel..... | 30 |
| 4.2.2 Actuation channel | 31 |
| 4.2.3 Application..... | 32 |
| 4.3 EDD and EDDL model..... | 32 |
| 4.3.1 Overview of EDD and EDDL | 32 |
| 4.3.2 EDD architecture..... | 33 |
| 4.3.3 Concepts of EDD | 33 |
| 4.3.4 Principles of the EDD development process..... | 33 |
| 4.3.5 Interrelations between the lexical structure and formal definitions | 34 |
| 4.3.6 Builtins | 35 |
| 4.3.7 Profiles | 35 |
| 5 Detailed block definition | 35 |
| 5.1 General..... | 35 |
| 5.2 Application FBs..... | 35 |
| 5.2.1 Analog Input FB..... | 35 |
| 5.2.2 Analog Output FB | 37 |
| 5.2.3 Discrete Input FB | 38 |
| 5.2.4 On/Off Actuation FB Discrete Output FB | 40 |
| 5.2.5 Calculation FB | 41 |
| 5.2.6 Control FB | 42 |
| 5.3 Component FBs | 44 |
| 5.4 Technology Block..... | 44 |
| 5.4.1 Temperature Technology Block..... | 44 |
| 5.4.2 Pressure Technology Block..... | 47 |
| 5.4.3 Modulating Actuation Technology Block..... | 49 |

| | | |
|-------|--|----|
| 5.4.4 | On/Off Actuation Technology Block..... | 51 |
| 5.5 | Device (Resource) Block..... | 54 |
| 5.5.1 | Identification..... | 54 |
| 5.5.2 | Device state..... | 54 |
| 5.5.3 | Message..... | 56 |
| 5.5.4 | Initialisation..... | 56 |
| 5.6 | Algorithms common to all blocks..... | 56 |
| 5.6.1 | Data Input/Data Output status..... | 56 |
| 5.6.2 | Validity..... | 57 |
| 5.6.3 | Restart Initialisation..... | 57 |
| 5.6.4 | Fail-safe..... | 57 |
| 5.6.5 | Remote Cascade Initialisation..... | 58 |
| 6 | FB Environment..... | 58 |
| 7 | Mapping to System Management..... | 58 |
| 8 | Mapping to Communication..... | 59 |
| | Annex A (informative) Parameter description..... | 62 |
| | Annex B (informative) Compatibility levels..... | 68 |
| B.1 | General..... | 68 |
| B.2 | Compatibility..... | 69 |
| B.3 | Incompatibility..... | 69 |
| B.4 | Coexistence..... | 70 |
| B.5 | Interconnectability..... | 70 |
| B.6 | Interworkability..... | 70 |
| B.7 | Interoperability..... | 70 |
| B.8 | Interchangeability..... | 71 |
| | Annex C (informative) Proxy concept and its use in FB applications..... | 72 |
| C.1 | General proxy concept..... | 72 |
| C.2 | Use of the proxy concept in FB applications..... | 73 |
| | Bibliography..... | 75 |
| | Figure 1 – Position of IEC 61804-2 related to other standards and products..... | 7 |
| | Figure 2 – FB structure is derived out of the process (P&ID view)..... | 20 |
| | Figure 3 – FB structure may be distributed between devices (according to IEC 61499-1)..... | 21 |
| | Figure 4 – IEC 61804 FBs can be implemented in different devices..... | 22 |
| | Figure 5 – General components of devices..... | 22 |
| | Figure 6 – Block types of IEC 61804 (all parts)..... | 23 |
| | Figure 7 – IEC 61804 block overview (graphical representation not normative)..... | 24 |
| | Figure 8 – UML class diagram of the device model..... | 27 |
| | Figure 9 – Measurement process signal flow..... | 31 |
| | Figure 10 – Actuation process signal flow..... | 31 |
| | Figure 11 – Application process signal flow..... | 32 |
| | Figure 12 – EDD generation process..... | 34 |
| | Figure 13 – Analog Input FB..... | 36 |
| | Figure 14 – Analog Output FB..... | 37 |
| | Figure 15 – Discrete input FB..... | 39 |

| | |
|---|----|
| Figure 16 – Discrete Output FB..... | 40 |
| Figure 17 – Calculation FB..... | 42 |
| Figure 18 – Control FB..... | 43 |
| Figure 19 – Temperature Technology Block..... | 44 |
| Figure 20 – Pressure Technology Block..... | 48 |
| Figure 21 – Modulating Actuation Technology Block..... | 50 |
| Figure 22 – On/Off Actuation Technology Block..... | 52 |
| Figure 23 – Harel state chart..... | 55 |
| Figure 24 – Application structure of ISO OSI Reference Model..... | 59 |
| Figure 25 – Client/Server relationship in terms of OSI Reference Model..... | 60 |
| Figure 26 – Mapping of IEC 61804 FBs to APOs..... | 60 |
| Figure B.1 – Levels of functional device compatibility..... | 68 |
| Figure C.1 – Proxy model class diagram..... | 72 |
| Figure C.2 – Proxy integration in DCS..... | 73 |
| | |
| Table 1 – Field attribute descriptions..... | 19 |
| Table 2 – Equivalences between IEC 61804 and IEC 61499 model elements..... | 26 |
| Table 3 – Variables and parameter description template..... | 29 |
| Table 4 – Example of temperature sensors of Sensor_Type..... | 46 |
| Table 5 – Device status state table..... | 54 |
| Table 6 – Device status transition table..... | 56 |
| Table A.1 – Parameter description..... | 62 |
| Table B.1 – Functionality features..... | 69 |

INTERNATIONAL ELECTROTECHNICAL COMMISSION

**FUNCTION BLOCKS (FB) FOR PROCESS CONTROL AND
ELECTRONIC DEVICE DESCRIPTION LANGUAGE (EDDL) –****Part 2: Specification of FB concept**

FOREWORD

- 1) The International Electrotechnical Commission (IEC) is a worldwide organization for standardization comprising all national electrotechnical committees (IEC National Committees). The object of IEC is to promote international co-operation on all questions concerning standardization in the electrical and electronic fields. To this end and in addition to other activities, IEC publishes International Standards, Technical Specifications, Technical Reports, Publicly Available Specifications (PAS) and Guides (hereafter referred to as "IEC Publication(s)"). Their preparation is entrusted to technical committees; any IEC National Committee interested in the subject dealt with may participate in this preparatory work. International, governmental and non-governmental organizations liaising with the IEC also participate in this preparation. IEC collaborates closely with the International Organization for Standardization (ISO) in accordance with conditions determined by agreement between the two organizations.
- 2) The formal decisions or agreements of IEC on technical matters express, as nearly as possible, an international consensus of opinion on the relevant subjects since each technical committee has representation from all interested IEC National Committees.
- 3) IEC Publications have the form of recommendations for international use and are accepted by IEC National Committees in that sense. While all reasonable efforts are made to ensure that the technical content of IEC Publications is accurate, IEC cannot be held responsible for the way in which they are used or for any misinterpretation by any end user.
- 4) In order to promote international uniformity, IEC National Committees undertake to apply IEC Publications transparently to the maximum extent possible in their national and regional publications. Any divergence between any IEC Publication and the corresponding national or regional publication shall be clearly indicated in the latter.
- 5) IEC itself does not provide any attestation of conformity. Independent certification bodies provide conformity assessment services and, in some areas, access to IEC marks of conformity. IEC is not responsible for any services carried out by independent certification bodies.
- 6) All users should ensure that they have the latest edition of this publication.
- 7) No liability shall attach to IEC or its directors, employees, servants or agents including individual experts and members of its technical committees and IEC National Committees for any personal injury, property damage or other damage of any nature whatsoever, whether direct or indirect, or for costs (including legal fees) and expenses arising out of the publication, use of, or reliance upon, this IEC Publication or any other IEC Publications.
- 8) Attention is drawn to the Normative references cited in this publication. Use of the referenced publications is indispensable for the correct application of this publication.
- 9) Attention is drawn to the possibility that some of the elements of this IEC Publication may be the subject of patent rights. IEC shall not be held responsible for identifying any or all such patent rights.

International Standard IEC 61804-2 has been prepared by subcommittee 65E: Devices and integration in enterprise systems, of IEC technical committee 65: Industrial-process measurement, control and automation.

This third edition cancels and replaces the second edition published in 2006 and integrates parts of IEC 61804-1 which was withdrawn in January 2013. This edition constitutes a technical revision.

This edition includes the following significant technical changes with respect to the previous edition:

- a) added command communication mapping in Clause 8;
- b) moved and reword compatibility level definition from IEC 62804-1 to new Annex B and terms and definitions;

c) added proxy concept in new Annex C.

The text of this standard is based on the following documents:

| | |
|--------------|------------------|
| FDIS | Report on voting |
| 65E/567/FDIS | 65E/576/RVD |

Full information on the voting for the approval of this standard can be found in the report on voting indicated in the above table.

This publication has been drafted in accordance with the ISO/IEC Directives, Part 2.

A list of all parts in the IEC 61804 series, published under the general title *Function blocks (FB) for process control and electronic device description language (EDDL)*, can be found on the IEC website.

Future standards in this series will carry the new general title as cited above. Titles of existing standards in this series will be updated at the time of the next edition.

The committee has decided that the contents of this publication will remain unchanged until the stability date indicated on the IEC web site under "<http://webstore.iec.ch>" in the data related to the specific publication. At this date, the publication will be

- reconfirmed,
- withdrawn,
- replaced by a revised edition, or
- amended.

IMPORTANT – The 'colour inside' logo on the cover page of this publication indicates that it contains colours which are considered to be useful for the correct understanding of its contents. Users should therefore print this document using a colour printer.

INTRODUCTION

This part of IEC 61804 provides a conceptual function block (FB) specification, which can be mapped to specific communication systems and their accompanying definitions by industrial groups.

The EDDL fills the gap between the conceptual FB specification of this document and a product implementation. Figure 1 shows these aspects.

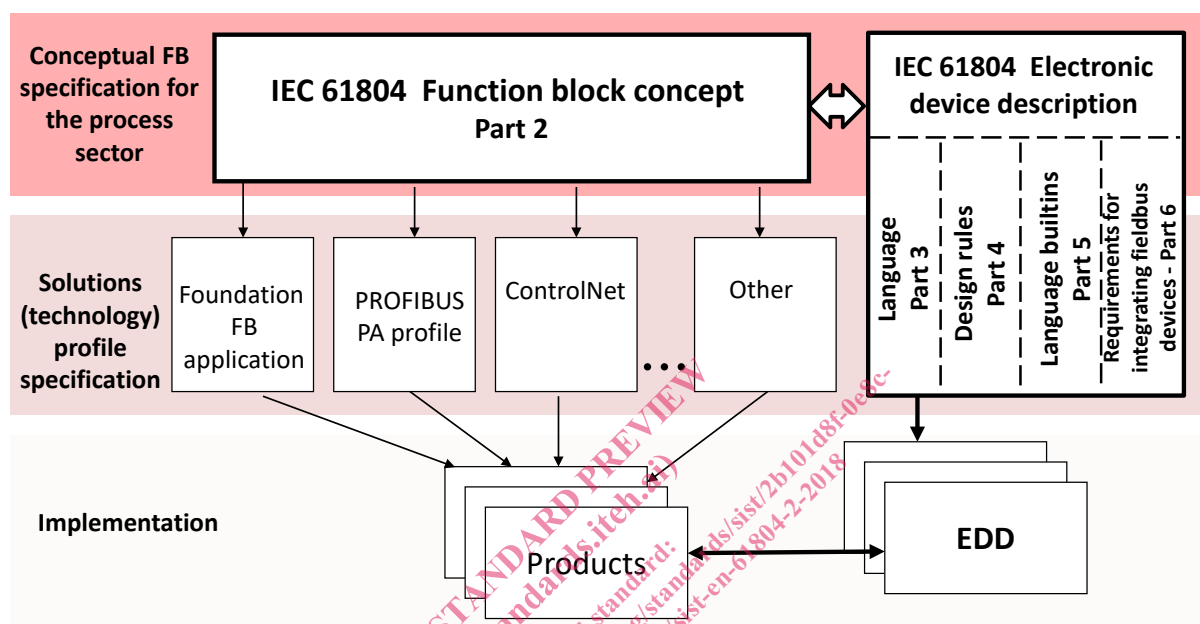


Figure 1 – Position of IEC 61804-2 related to other standards and products

The International Electrotechnical Commission (IEC) draws attention to the fact that it is claimed that compliance with this document may involve the use of patents

- U.S. Patent No. 5,333,114
- U.S. Patent No. 5,485,400
- U.S. Patent No. 5,825,664
- U.S. Patent No. 5,909,368
- U.S. Patent Pending No. 08/916,178
- Australian Patent No. 638507
- Canadian Patent No. 2,066,743
- European Patent No. 0495001
- Validated in:
- UK – Patent No. 0495001
- France – Patent No. 0495001
- Germany – Patent No. 69032954.7
- Netherlands – Patent No. 0495001
- Japan – Patent No. 3137643

IEC take no position concerning the evidence, validity and scope of this patent right. The holder of this patent right has assured the IEC that he is willing to negotiate licenses under reasonable and non-discriminatory terms and conditions with applicants throughout the world. In this respect, the statement of the holder of this patent right is registered with IEC. Information may be obtained from: