



Designation: C 1279 – 00^{ε1}

Standard Test Method for Non-Destructive Photoelastic Measurement of Edge and Surface Stresses in Annealed, Heat-Strengthened, and Fully Tempered Flat Glass¹

This standard is issued under the fixed designation C 1279; the number immediately following the designation indicates the year of original adoption or, in the case of revision, the year of last revision. A number in parentheses indicates the year of last reapproval. A superscript epsilon (ϵ) indicates an editorial change since the last revision or reapproval.

^{ε1} NOTE—Equation 11 was editorially revised in October 2001.

1. Scope

1.1 This test method covers the determination of edge stresses and surface stresses in annealed, heat-strengthened, and fully tempered flat glass products.

1.2 This test method is non-destructive.

1.3 This test method uses transmitted light and is, therefore, applicable to light-transmitting glasses.

1.4 The test method is not applicable to chemically-tempered glass.

1.5 Using the procedure described, surface stresses can be measured only on the “tin” side of float glass.

1.6 Surface-stress measuring instruments are designed for a specific range of surface index of refraction.

1.7 *This standard does not purport to address all of the safety concerns, if any, associated with its use. It is the responsibility of the user of this standard to establish appropriate safety and health practices and determine the applicability of regulatory limitations prior to use.*

2. Referenced Documents

2.1 ASTM Standards:

C 162 Terminology of Glass and Glass Products²

C 770 Test Method for Measurements of Glass Stress-Optical Coefficient²

C 1048 Specification for Heat-Treated Glass: Kind HS, Kind FT Coated and Uncoated Glass²

F 218 Test Method for Analyzing Stress in Glass

2.2 Other Documents:

*Engineering Standards Manual*³

“Surface and Edge Stress in Tempered Glass”⁴

¹ This test method is under the jurisdiction of ASTM Committee C14 on Glass and Glass Products and is the direct responsibility of Subcommittee C14.08 on Flat Glass.

Current edition approved Dec. 10, 2000. Published February 2001.

Originally published as C 1279-94. Last previous edition C 1070-94.

² *Annual Book of ASTM Standards*, Vol 15.02.

³ Available from GANA, 3310 Harrison, Topeka, Kansas.

⁴ Redner, A. S. and Voloshin, A. S., *Proceedings of the Ninth International Conference on Experimental Mechanics*, Denmark, 1990.

3. Terminology

3.1 Definitions:

3.1.1 *analyzer*—a polarizing element, typically positioned between the specimen being evaluated and the viewer.

3.1.2 *polarizer*—an optical assembly that transmits light vibrating in a single planar direction, typically positioned between a light source and the specimen being evaluated.

3.1.3 *retardation compensator*—an optical device, variants of which are used to quantify the optical retardation produced in transparent birefringent materials: typically positioned between the specimen being evaluated and the analyzer.

3.2 For definition of terms used in this test method, refer to Terminology C 162.

4. Summary of Test Methods

4.1 Two test methods are described in this standard:

4.1.1 *Procedure A* describes a test method for measuring surface stress using light propagating nearly parallel to the surface.

4.1.2 *Procedure B* describes a test method for measuring edge-stress using light propagating in the direction perpendicular to the surface.

4.2 In both methods, the fundamental photoelastic concept is used. As a result of stresses, the material becomes optically anisotropic or birefringent. When polarized light propagates through such anisotropic materials, the differences in the speed of light rays vibrating along the maximum and minimum principal stress introduce a relative retardation between these rays. This relative retardation is proportional to the measured stresses, and can be accurately determined using compensators. For additional background see “Surface and Edge Stress in Tempered Glass”⁴.

5. Significance and Use

5.1 The strength and performance of heat-strengthened and fully-tempered glass is greatly affected by the surface and edge stress induced during the heat-treating process.

5.2 The edge and surface stress levels are specified in Specification C 1048, in the Engineering Standards Manual³ of GTA and in foreign specifications.

5.3 This test method offers a direct and convenient way to non-destructively determine the residual state of stress on the surface and at the edge of annealed and heat-treated glass.

6. Principles of Operation

6.1 Procedure A: Measuring Surface Stress:

6.1.1 Measurement of surface stresses requires an optical apparatus that permits the injection of polarized light rays propagating in a thin layer adjacent to the surface (see Note 1). A prism is usually used for this purpose. The rays emerge at critical angle i_c . The photoelastic retardation due to the surface stresses, (see Fig. 1), is measured using a wedge-compensator.

6.1.2 The incident light beam should be arriving at the critical angle i_c and polarized at 45° to the entrance of the prism edge. A quartz wedge-compensator, W_c , placed in the path of emerging light adds a retardation, R_c , to the retardation R_s induced by stresses in the surface of the specimen. The analyzer, A , placed between the eyepiece, E , and the wedge-compensator, W_c , generates a visible set of fringes or lines of constant retardation R where

$$R = R_s + R_c \tag{1}$$

Since the specimen-induced retardation is proportional to the surface stress, S , and the path, t , we have:

$$R_s = C \cdot S \cdot t = C \cdot S \cdot a \cdot x \tag{2}$$

where:

- R = is the relative retardation,
- C = stress-optical constant (see Note 2),
- S = surface stress in the direction perpendicular to the path, t
- t = path of light traveling between the entrance and exit points 1, 2 (Fig. 1),
- a = Geometrical factor, (depending upon the prism design) $a = t/x$. This constant is determined by the manufacturer.

6.1.3 The compensator adds its own retardation. It is linearly variable along its length y and is calculated as

$$R_c = b \cdot y \tag{3}$$

Where b is a constant, determined by the manufacturer of the compensator. The observer sees in the compensator plane a total retardation R .

$$R = R_s + R_c = a \cdot C \cdot S \cdot x + b \cdot y \tag{4}$$

6.1.4 The fringes (lines of $R = \text{Constant}$) are, therefore, tilted lines. (See Fig. 2). The angle θ is the tilt of these fringes relative to a plane containing the light path of Figs. 1 and 2. The measured stress is proportional to the tangent of the tilt angle θ , measured using a goniometer, and to an instrument calibration constant, K MPa (psi), determined by the manufacturer.

$$\tan \theta = \frac{a \cdot C \cdot S}{b} \text{ and} \tag{5}$$

$$\text{Stress} = \frac{b}{C \cdot a} \cdot \tan \theta = K \cdot \tan \theta$$

In the actual procedure (see 9.1 below) the operator measures the tilt angle θ of the observed set of fringes.

NOTE 1—The surface-stress measuring apparatus described in this section is manufactured by Strainoptic Technologies, Inc. in North Wales, Pennsylvania.

NOTE 2—The stress constant of float glass is typically 2.55 to 2.65 Brewsters. Calibration can be performed using one of the test methods described in Test Methods C 770.

6.2 Procedure B: Measuring Edge Stress:

6.2.1 Measurement of edge stress is accomplished using a polarimeter equipped with a wedge-compensator, as shown schematically in Fig. 3.

6.2.2 The angle between the polarizer and the edge of the specimen must be 45° (see Fig. 3a), and the analyzer must be perpendicular to the polarizer. The overall magnification should be at least 20× to permit clear visibility of the reticle, and of photoelastic fringes near the edge. The reticle placed adjacent to the specimen must have graduations of 0.1 mm (0.004 in.) or smaller. The resolution of the compensator should be at least 5 nm, and the compensator should be calibrated by the manufacturer at 565 nm wavelength with results of calibration expressed in nm/div.

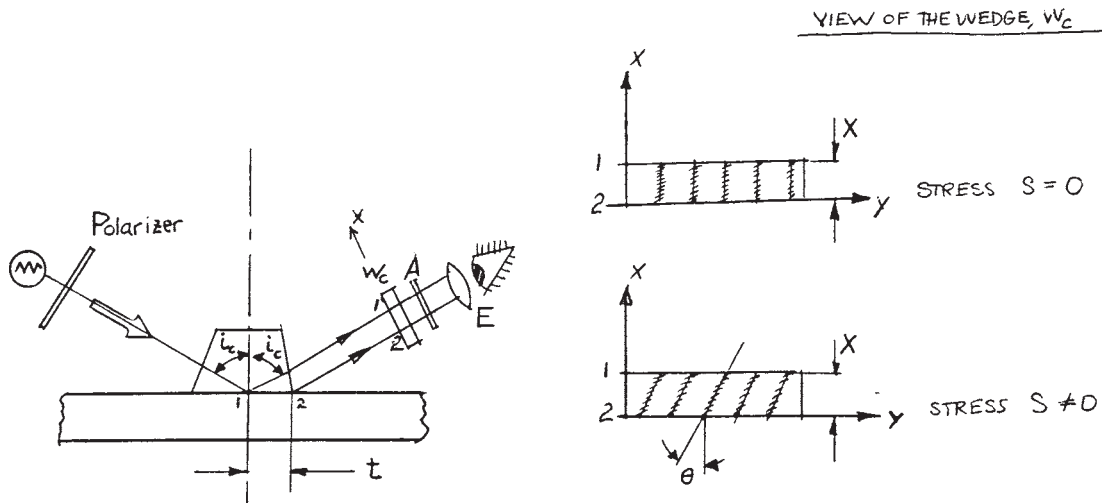


FIG. 1 Apparatus For Measuring Surface Stress

Rotate protractor to align crosshair parallel with observed fringes.

Read angle θ and use Equation 4 to convert angle θ to stress.

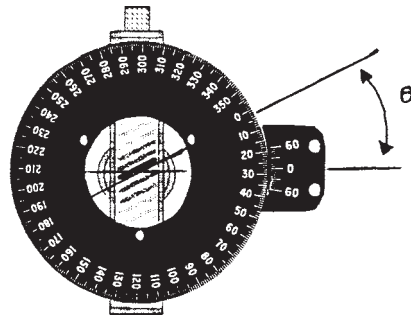


FIG. 2 Fringes Observed in the Plane of the Compensator

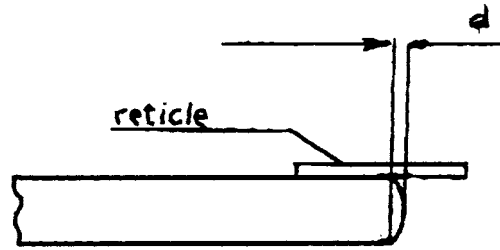


FIG. 5 Depth Measurement of Beveled Region

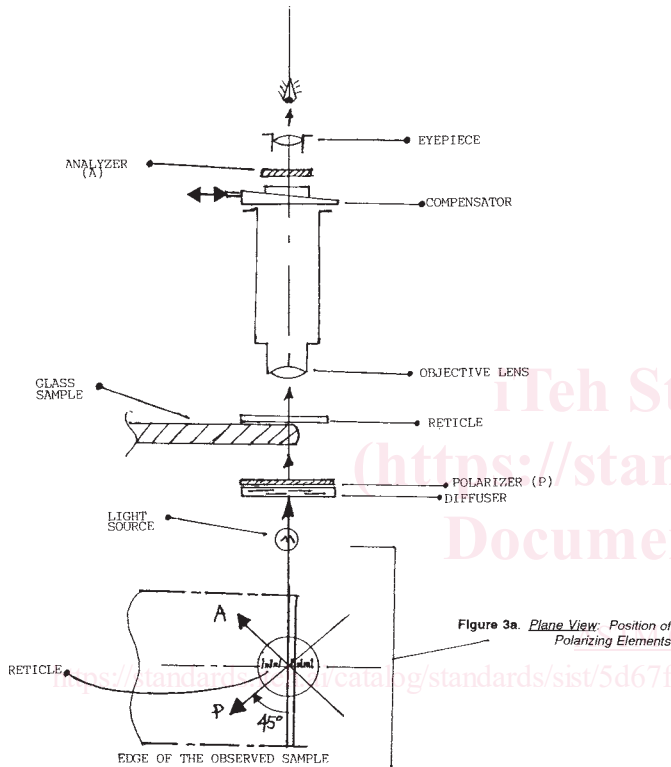


Figure 3a. Plane View: Position of Polarizing Elements

FIG. 3 Schematic of the Instrument for Measuring Edge Stress

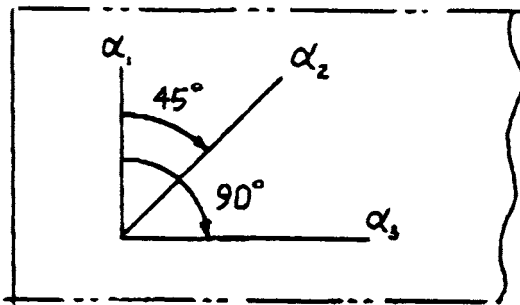


FIG. 4 Orientation of the Instrument for Measuring Surface Stress

6.2.3 The compensator used could be of linear wedge type (Babinet) or uniform-field type (Babinet-Soleil). The linear-wedge type requires a reticle placed adjacent to the compensator wedge and a linear-motion scale, or lead screw, locating the wedge position with reference to the reticle.

6.2.4 The uniform field does not require a reticle, and must be equipped with a lead screw measuring the relative motion of its wedges.

7. Sampling

7.1 Procedure A: Measuring Surface Stress—The number of points to be measured are determined by the product specification.

7.2 Procedure B: Measuring Edge Stress—Readings must be obtained at the mid-span point of every edge.

8. Conditioning

8.1 In order to avoid thermal stresses, the specimen should be allowed to reach ambient temperature throughout its entire mass prior to testing.

9. Procedure

9.1 Procedure A—Measuring Surface Stress:

9.1.1 Clean the surface of any trace of oil or other chemical deposits.

9.1.2 Place a few drops of index liquid on the tin side surface of the specimen at the point of interest. The index of refraction of the liquid should be higher than the index of the examined glass and lower or equal to the index of the prism.

9.1.3 Perform the adjustments of the optical path in accordance with manufacturer's specifications to obtain a clear image of an equally-spaced set of fringes in the compensator plane.

9.1.4 Using the goniometer, measure the angle θ (in degrees) of these fringes to the plane of symmetry (see Fig. 2).

9.1.5 In all instances where the surface stress is uniform (independent of direction), measure the angle θ , orienting the instrument's plane of symmetry to measure stress parallel to the nearest edge.

9.1.5.1 In those instances where the direction of maximum and minimum stress is uncertain (as a result of irregular geometry, proximity of edges, or non-uniformity of heat-treating process), orient the instrument along direction α_1 , α_2 , α_3 , and measure the fringe pattern angle θ_1 , θ_2 , θ_3 , in degrees, for each direction. Select α_1 , α_2 , α_3 as follows:

α_1 parallel to the nearest edge,

α_2 45° to the nearest edge, and

α_3 perpendicular to the nearest edge. (See Fig. 4)

9.2 Procedure B—Measuring Edge Stress:

9.2.1 Place the instrument in position, with a measuring reticle placed adjacent to instrument, and in close contact with the edge of glass.