



SLOVENSKI STANDARD
SIST EN 524-5:1999

01-oktober-1999

NUy jfbYWj j'nUdfYXbUdYHr_UVYjn^Y`Yb] lfU_cj `!AYfcXYdfYg_i yUb^U!) "XY.
8c`c Yj Ub^YbUHnbYbcg]bcgh]

Steel strip sheaths for prestressing tendons - Test methods - Part 5: Determination of tensile load resistance

Hüllrohre aus Bandstahl für Spannglieder - Prüfverfahren - Teil 5: Bestimmung der Zugbelastbarkeit

iTeh STANDARD PREVIEW
(standards.iteh.ai)

Gaines en feuillard d'acier pour câbles de précontrainte - Méthodes d'essai - Partie 5: Détermination de la résistance a la traction

<https://standards.iteh.ai/catalog/standards/sist/607cd4e0-580d-42ec-b021-6b4a5a2ebba3/sist-en-524-5-1999>

Ta slovenski standard je istoveten z: EN 524-5:1997

ICS:

77.140.75	Jeklene cevi in cevni profili za posebne namene	Steel pipes and tubes for specific use
91.080.40	Betonske konstrukcije	Concrete structures

SIST EN 524-5:1999

en

iTeh STANDARD PREVIEW
(standards.iteh.ai)

SIST EN 524-5:1999

<https://standards.iteh.ai/catalog/standards/sist/607cd4e0-580d-42ec-b021-6b4a5a2ebba3/sist-en-524-5-1999>

EUROPEAN STANDARD

EN 524-5

NORME EUROPÉENNE

EUROPÄISCHE NORM

March 1997

ICS 77.140.75; 91.080.40

Descriptors: prestressed concretes, tubes, sheathing, prestressing steels, classifications, specification, verification, marking

English version

Steel strip sheaths for prestressing tendons - Test methods - Part 5: Determination of tensile load resistance

Gaines en feuillard d'acier pour câbles de précontrainte - Méthodes d'essai - Partie 5: Détermination de la résistance à la traction

Hüllrohre aus Bandstahl für Spannglieder - Prüfverfahren - Teil 5: Bestimmung der Zugbelastbarkeit

(standards.iteh.ai)

SIST EN 524-5:1999

<https://standards.iteh.ai/catalog/standards/sist/607cd4e0-580d-42ec-b021-6b4a5a2ebba3/sist-en-524-5-1999>

This European Standard was approved by CEN on 1997-01-27. CEN members are bound to comply with the CEN/CENELEC Internal Regulations which stipulate the conditions for giving this European Standard the status of a national standard without any alteration.

Up-to-date lists and bibliographical references concerning such national standards may be obtained on application to the Central Secretariat or to any CEN member.

The European Standards exist in three official versions (English, French, German). A version in any other language made by translation under the responsibility of a CEN member into its own language and notified to the Central Secretariat has the same status as the official versions.

CEN members are the national standards bodies of Austria, Belgium, Denmark, Finland, France, Germany, Greece, Iceland, Ireland, Italy, Luxembourg, Netherlands, Norway, Portugal, Spain, Sweden, Switzerland and United Kingdom.

CEN

European Committee for Standardization
Comité Européen de Normalisation
Europäisches Komitee für Normung

Central Secretariat: rue de Stassart, 36 B-1050 Brussels

Contents	
Foreword	2
1 Scope	2
2 Normative References	2
3 Apparatus and accuracy	2
4 Procedure	2

Foreword

This European Standard has been prepared by Technical Committee CEN/TC 104 "Concrete (performance, production, placing and compliance criteria)", the secretariat of which is held by DIN.

This standard is a part of the series EN 524 "Sheaths for prestressing tendons - Test methods" which comprises the following parts:

- Part 1 Determination of shape and dimensions
- Part 2 Determination of flexural behaviour
- Part 3 To-and-fro bending test
- Part 4 Determination of lateral load resistance
- Part 6 Determination of leaktightness (Determination of water loss)

These European standards apply to EN 523 "Steel strip sheaths for prestressing tendons - Terminology, requirements, quality control".

This European Standard shall be given the status of a national standard, either by publication of an identical text or by endorsement, at the latest by September 1997, and conflicting national standards shall be withdrawn at the latest by September 1997.

According to the CEN/CENELEC Internal Regulations, the national standards organizations of the following countries are bound to implement this European Standard: Austria, Belgium, Denmark, Finland, France, Germany, Greece, Iceland, Ireland, Italy, Luxembourg, Netherlands, Norway, Portugal, Spain, Sweden, Switzerland and the United Kingdom.

1 Scope

This European Standard specifies the procedure for determining the tensile load resistance of sheaths for prestressing tendons which comply with EN 523.

2 Normative References

This European Standard incorporates by dated or undated reference, provisions from other publications. These normative references are cited at the appropriate places in the text and the publications are listed hereafter. For dated references, subsequent amendments to or revisions of any of these publications apply to this European Standard only when incorporated in it by amendment or revision. For undated references the latest edition of the publication referred to applies.

EN 523:1997 Steel strip sheaths for prestressing tendons - Terminology, requirements, quality control

3 Apparatus and accuracy

The following test equipment is required:

- a testing machine or a suitable test frame with a hydraulic or mechanical drive;
- a load measuring device with an accuracy of 2 % of the tensile load specified in Table 1 in EN 523:1997;
- a deformation measuring device such as folding rule.

4 Procedure

A 1100 mm long specimen shall be connected to at least one corresponding coupler (see 5.2 of EN 523:1997) and subjected to the loads specified in table 1, line 6 of EN 523:1997. No internal stiffeners shall be used. The displacement of the coupler in relation to the sheath, occurring under the specified load, shall be measured. This test value - rounded off to the nearest full millimeter - has to be recorded together with any unusual observations.

Dimensions in millimetres

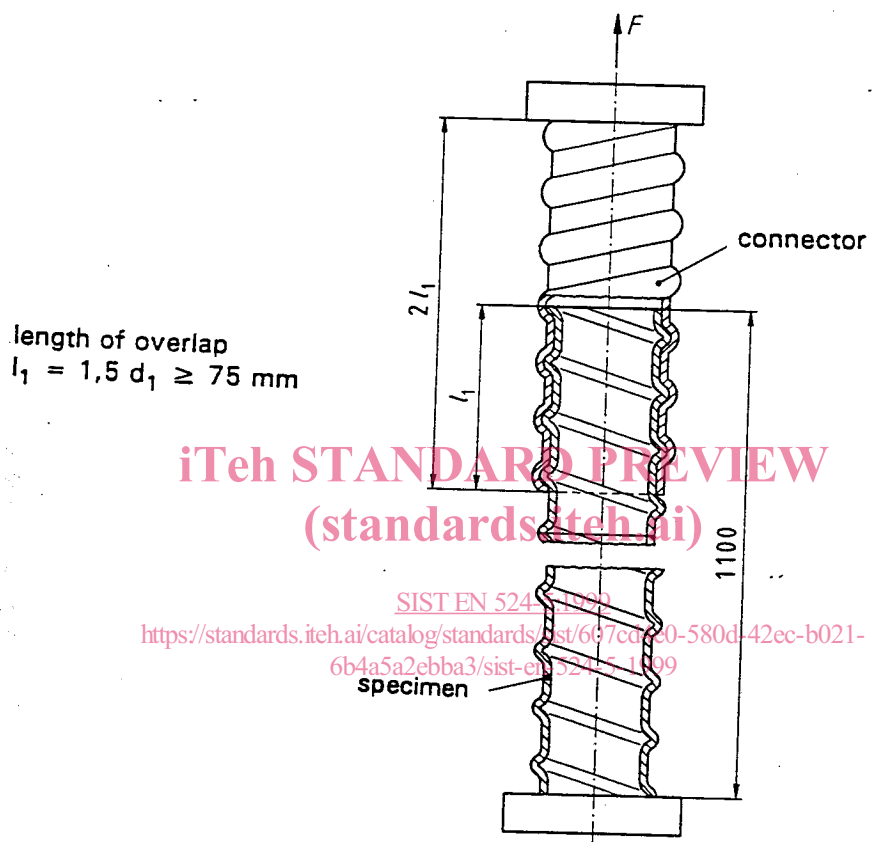


Figure 1: Example of a test set-up for determining the tensile load resistance