



**SLOVENSKI STANDARD**  
**SIST EN 12221-1:2008**

01-oktober-2008

**BUXca Yý U**  
**SIST EN 12221-1:2002**

---

DfYj jUby'a jny'nUXca U c'i dcfUvc '!%'XY. JUfbcgfbY'nU hYj Y

Changing units for domestic use - Part 1: Safety requirements

Wickeleinrichtungen für den Hausgebrauch - Teil 1: Sicherheitstechnische Anforderungen

DDispositifs à langer à usage domestique - Partie 1: Exigences de sécurité

<https://standards.iteh.ai/catalog/standards/sist/9c2a7593-bbb5-4716-9ab6-53d1624ff70b/sist-en-12221-1-2008>

**Ta slovenski standard je istoveten z: EN 12221-1:2008**

---

**ICS:**

97.190      Otroška oprema      Equipment for children

**SIST EN 12221-1:2008**      **en,fr,de**

**iTeh STANDARD PREVIEW**  
**(standards.iteh.ai)**

[SIST EN 12221-1:2008](https://standards.iteh.ai/catalog/standards/sist/9c2a7593-bbb5-4716-9ab6-53d1624ff70b/sist-en-12221-1-2008)

<https://standards.iteh.ai/catalog/standards/sist/9c2a7593-bbb5-4716-9ab6-53d1624ff70b/sist-en-12221-1-2008>

English Version

## Changing units for domestic use- Part 1: Safety requirements

Dispositifs à langer - Partie 1 : Exigences de sécurité

Wickeleinrichtungen - Teil 1: Sicherheitstechnische Anforderungen

This European Standard was approved by CEN on 18 February 2008.

CEN members are bound to comply with the CEN/GENELEC Internal Regulations which stipulate the conditions for giving this European Standard the status of a national standard without any alteration. Up-to-date lists and bibliographical references concerning such national standards may be obtained on application to the CEN Management Centre or to any CEN member.

This European Standard exists in three official versions (English, French, German). A version in any other language made by translation under the responsibility of a CEN member into its own language and notified to the CEN Management Centre has the same status as the official versions.

CEN members are the national standards bodies of Austria, Belgium, Bulgaria, Cyprus, Czech Republic, Denmark, Estonia, Finland, France, Germany, Greece, Hungary, Iceland, Ireland, Italy, Latvia, Lithuania, Luxembourg, Malta, Netherlands, Norway, Poland, Portugal, Romania, Slovakia, Slovenia, Spain, Sweden, Switzerland and United Kingdom.

ITIH STANDARD PREVIEW  
(standards.iteh.ai)

SIST EN 12221-1:2008  
<https://standards.iteh.ai/catalog/standards/sist/9c2a7593-bbb5-4716-9ab6-53d1624ff70b/sist-en-12221-1-2008>



EUROPEAN COMMITTEE FOR STANDARDIZATION  
COMITÉ EUROPÉEN DE NORMALISATION  
EUROPÄISCHES KOMITEE FÜR NORMUNG

Management Centre: rue de Stassart, 36 B-1050 Brussels

## Contents

Page

Foreword.....	3
1 Scope .....	4
2 Normative references .....	4
3 Terms and definitions .....	4
4 General requirements.....	6
4.1 Dimensions.....	6
4.2 Materials .....	6
4.2.1 Wood .....	6
4.2.2 Surfaces and materials .....	7
5 Construction.....	7
5.1 Holes, gaps and openings .....	7
5.1.1 Entrapment of fingers .....	7
5.1.2 Entrapment of limbs .....	7
5.1.3 Entrapment of head, neck and torso .....	7
5.1.4 Cords, strings and other narrow fabrics .....	8
5.1.5 Loops .....	8
5.2 Edges and protruding parts.....	8
5.3 Moving parts.....	8
5.4 Locking and folding mechanisms of the complete unit .....	9
5.5 Small detachable components .....	9
5.6 Castors/wheels.....	9
5.7 Self-tapping screws.....	9
5.8 Stability .....	9
5.9 Strength .....	9
5.10 Extension elements .....	9
5.11 Barriers .....	10
5.12 Changing board flap .....	10
5.12.1 Impact test .....	10
5.12.2 Drop test .....	11
5.13 Child bath tub.....	11
6 Plastic packaging.....	11
7 Instructions for use .....	11
8 Marking .....	12
9 Purchase information .....	12
Annex A (informative) A-deviations.....	13

## Foreword

This document (EN 12221-1:2008) has been prepared by Technical Committee CEN/TC 252 "Child use and care articles", the secretariat of which is held by AFNOR.

This European Standard shall be given the status of a national standard, either by publication of an identical text or by endorsement, at the latest by November 2008, and conflicting national standards shall be withdrawn at the latest by November 2008.

Attention is drawn to the possibility that some of the elements of this document may be the subject of patent rights. CEN [and/or CENELEC] shall not be held responsible for identifying any or all such patent rights.

This document supersedes EN 12221-1:1999.

This document (EN 12221-1:2008) has been prepared in collaboration by Technical Committee CEN/TC 252 "Child use and care articles", the secretariat of which is held by AFNOR, and CEN/TC 207 "Furniture", the secretariat of which is held by UNI.

This European Standard is one part of the series of standards of EN 12221 "Changing units for domestic use" consisting of the following parts:

- Part 1: Safety requirements
- Part 2: Test methods

According to the CEN/CENELEC Internal Regulations, the national standards organizations of the following countries are bound to implement this European Standard: Austria, Belgium, Bulgaria, Cyprus, Czech Republic, Denmark, Estonia, Finland, France, Germany, Greece, Hungary, Iceland, Ireland, Italy, Latvia, Lithuania, Luxembourg, Malta, Netherlands, Norway, Poland, Portugal, Romania, Slovakia, Slovenia, Spain, Sweden, Switzerland and the United Kingdom.

**iTeh STANDARD PREVIEW**  
**(standards.iteh.ai)**

**EN 12221-1:2008 (E)****1 Scope**

This part of EN 12221 specifies safety requirements for changing units for domestic use for children with a body weight no more than 15 kg.

EN 12221 only covers the function of the item as a changing unit. If the changing unit can be converted or used as another function it shall comply with other relevant standards, e.g. cots, storage furniture, etc.

The changing unit may be foldable and can be fitted with a child bathtub or other additional items.

Changing pads are only covered by this standard when they form a part of the changing unit.

**2 Normative references**

The following referenced documents are indispensable for the application of this document. For dated references, only the edition cited applies. For undated references, the latest edition of the referenced document (including any amendments) applies.

EN 71-1, *Safety of toys - Part 1: Mechanical and physical properties*

EN 71-3, *Safety of toys - Part 3: Migrations of certain elements*

EN 12221-2:2008, *Changing units for domestic use - Part 2: Test methods*

**3 Terms and definitions**

<https://standards.iteh.ai/catalog/standards/sist/9c2a7593-bbb5-4716-9ab6-53d1624ff70b/sist-en-12221-1-2008>

For the purposes of this document, the following terms and definitions apply.

**3.1****changing unit**

elevated structure designed to support a child in a lying position for the purpose of allowing a caregiver to change the child's nappy

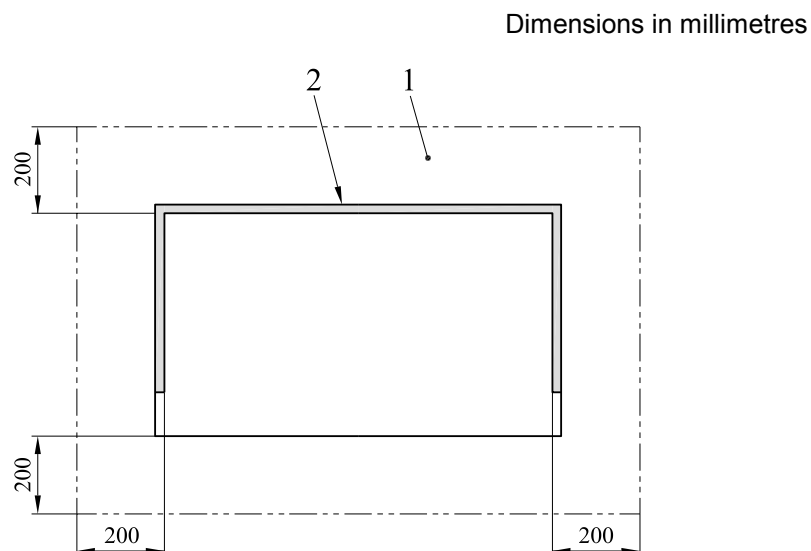
**3.2****wall mounted changing unit**

changing unit designed to be attached to a wall

**3.3****accessibility zone**

space around the changing area within the child's reach. The volume contained within 550 mm above the changing area and within 200 mm around the changing area measured horizontally from the inside of the area, see Figure 1a) and Figure 1b)

space around the bathtub area within the child's reach. The volume contained within 550 mm above the bottom of the bath and within 200 mm around the top of the interior of the bathtub. For contoured bathtubs the vertical volume is measured from a horizontal line drawn from the highest point where the child is seated, see Figure 1c)

**Key**

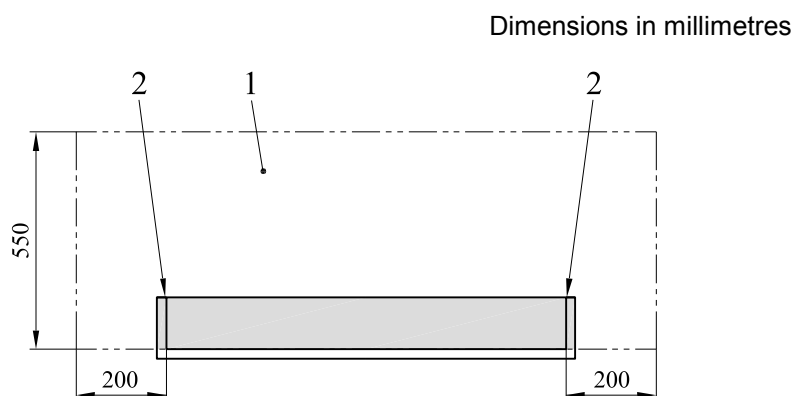
1 Accessibility zone

2 Barrier

**iTeh STANDARD PREVIEW**  
(standards.iteh.ai)

**Figure 1a) — Top view of accessibility zone**

<https://standards.iteh.ai/catalog/standards/sist/9c2a7593-bbb5-4716-9ab6-53d1624ff70b/sist-en-12221-1-2008>

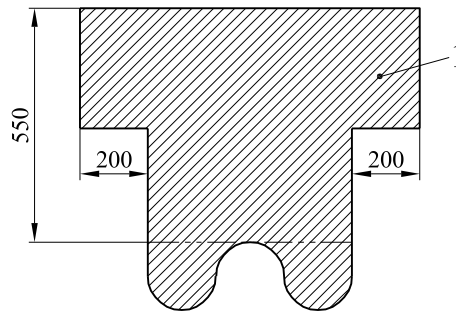
**Key**

1 Accessibility zone

2 Barrier

**Figure 1b) — Front view of accessibility zone**

Dimensions in millimetres

**Key**

1 Accessibility zone

**Figure 1c) — Bathtub accessibility zone – example of a section view****3.4 extension element**

component that can be pulled out and pushed in

EXAMPLE baskets, drawers and alike

**3.5 shear and squeeze point**

gaps, in which a part of the body may be crushed when two parts move relative to each other

**3.6 V-shaped opening**

opening with the apex downwards and an included angle of less than 60°

**3.7 changing board flap**

changing surface that is raised to provide access to another function, e.g. a bathtub

**4 General requirements****4.1 Dimensions**

The dimensions of the changing area, when measured in accordance with 5.2 of EN 12221-2:2008 shall be for type 1 changing units at least width: 380 mm, length: 650 mm, and type 2 changing units at least width: 550 mm and length: 750 mm.

**4.2 Materials****4.2.1 Wood**

Wood, wood-based materials and materials of vegetable origin shall be free from decay and insect attack when checked in accordance with 5.1 of EN 12221-2:2008.



#### 4.2.2 Surfaces and materials

Any coating of paint, varnish, lacquer or similar substances and parts consisting of dyed materials, leather, textiles, and plastics materials within the accessibility zone shall be made using products which in their soluble compound do not exceed the following amounts:

Antimony	:	60 mg/kg
Arsenic	:	25 mg/kg
Barium	:	1000 mg/kg
Cadmium	:	75 mg/kg
Chromium	:	60 mg/kg
Lead	:	90 mg/kg
Mercury	:	60 mg/kg
Selenium	:	500 mg/kg

Where a surface is coated with a multi-layer paint or similar coating, the sample shall be taken down to the base material.

The test procedure is defined in EN 71-3.

**STANDARD PREVIEW**  
(standards.iteh.ai)

## 5 Construction

SIST EN 12221-1:2008

### 5.1 Holes, gaps and openings

<https://standards.iteh.ai/catalog/standards/sist/9c2a7593-bbb5-4716-9ab6-53d1624ff70b/sist-en-12221-1-2008>

The following requirements shall apply before and after testing in accordance with Clause 5 of EN 12221-2:2008.

#### 5.1.1 Entrapment of fingers

Within the accessibility zone there shall be no holes, gaps and openings with a width greater than 7 mm and less than 12 mm, unless the depth is less than 10 mm when measured in accordance with 5.3.1 of EN 12221-2:2008.

#### 5.1.2 Entrapment of limbs

Within the accessibility zone there shall be no holes, gaps and openings having a width greater than 25 mm and smaller than 45 mm when measured in accordance with clause 5.3.2 of EN 12221-2:2008.

#### 5.1.3 Entrapment of head, neck and torso

**5.1.3.1** Within the accessibility zone there shall be no hole, gap or opening larger than 65 mm and less than 223 mm when measured in accordance with 5.3.3.1 of EN 12221-2:2008.

**5.1.3.2** Within the area 600 mm above the floor to the accessibility zone, see Figure 2, there shall be no hole, gap or opening accessible in normal use that allows the type 1 head probe to pass completely through unless it also allows the type 2 head probe to pass completely through, when tested in accordance with 5.3.3.2 of EN 12221-2:2008.