



Designation: D 4320 – 02

Standard Test Method for Laboratory Preparation of Chemically Grouted Soil Specimens for Obtaining Design Strength Parameters¹

This standard is issued under the fixed designation D 4320; the number immediately following the designation indicates the year of original adoption or, in the case of revision, the year of last revision. A number in parentheses indicates the year of last reapproval. A superscript epsilon (ϵ) indicates an editorial change since the last revision or reapproval.

1. Scope *

1.1 This test method covers the laboratory preparation of chemically grouted soil specimens for use in laboratory tests to determine design strength parameters.

NOTE 1—This test method may not be applicable to grout mixtures with gel times shorter than the time required to saturate the specimen with grout.

1.2 The specimens are intended for both strength and modulus determination in unconfined and confined compression testing.

NOTE 2—Preparation methods for specimens to be used for other purposes are described in Test Methods D 4219 and D 5202.

1.3 This test method requires the injection of grout into soil specimens already fabricated to a desired density.

1.4 The values stated in inch-pound units are to be regarded as the standard.

1.5 *This standard does not purport to address all of the safety problems, if any, associated with its use. It is the responsibility of the user of this standard to establish appropriate safety and health practices and determine the applicability of regulatory limitations prior to use.*

2. Referenced Documents

2.1 ASTM Standards:

D 653 Terminology Relating to Soil, Rock, and Contained Fluids²

D 3740 Practice for Minimum Requirements for Agencies Engaged in the Testing and/or Inspection of Soil and Rock as Used in Engineering Design and Construction²

D 4219 Test Method for Unconfined Compressive Strength Index Test of Chemical-Grouted Soils²

D 5202 Test Method for Determining Triaxial Compression Creep Strength of Chemical Grouted Soils²

¹ This test method is under the jurisdiction of ASTM Committee D18 on Soil and Rock and is the direct responsibility of Subcommittee D18.15 on Stabilization With Admixtures.

Current edition approved Nov. 10, 2002. Published January 2003. Originally published as D 4320 – 84. Last previous edition approved in 1993 as D 4320 – 93.

² *Annual Book of ASTM Standards*, Vol. 04.08.

3. Terminology

3.1 For common definitions of terms used in this test method, refer to Terminology D 653.

4. Significance and Use

4.1 The purpose of this test method is to prepare specimens of chemically grouted soils for testing in unconfined or triaxial compression, when the test data is to be used for design purposes.

NOTE 3—The quality of the result produced by this standard is dependent on the competence of the personnel performing it, and the suitability of the equipment and facilities used. Agencies that meet the criteria of Practice D 3740 are generally considered capable of competent and objective testing/sampling/inspection/etc. Users of this standard are cautioned that compliance with Practice D 3740 does not in itself assure reliable results. Reliable results depend on many factors; Practice D 3740 provides a means of evaluating some of those factors.

5. Apparatus

5.1 *Specimen Molds*—Molds are to be constructed so that they may be longitudinally split to allow the removal of grouted specimens without the use of a jacking force. They may be sized for the preparation of one or multiple specimens (Multiple specimen molds should be externally marked to indicate desired ends of individual specimens, as an aid in preparation). Molds shall produce specimens with a length-to-diameter ratio between two and three, (2.5 is recommended) and shall have a tolerance of ± 0.01 in. (0.25 mm) on the internal diameter. Molds will have top and bottom caps designed to prevent leakage of grout during pressure injection.

NOTE 4—Satisfactory molds, similar to Fig. 1, may be made from an acrylic tube which has been split longitudinally into three pieces (Fig. 2), which allows for the mold to be assembled and disassembled using silicon rubber seals and hose clamps. Equally satisfactory molds can be made by splitting tubes longitudinally with one narrow slit (Fig. 3), which is closed by hose clamps around the tubes and will reopen when the clamps are loosened, thus releasing the specimens. Leakage may be prevented by covering the slit from the inside with tape. Satisfactory seals of end caps may be made by threading the tubing and cap or by external tie rods to hold the caps in place (Fig. 4).

*A Summary of Changes section appears at the end of this standard.

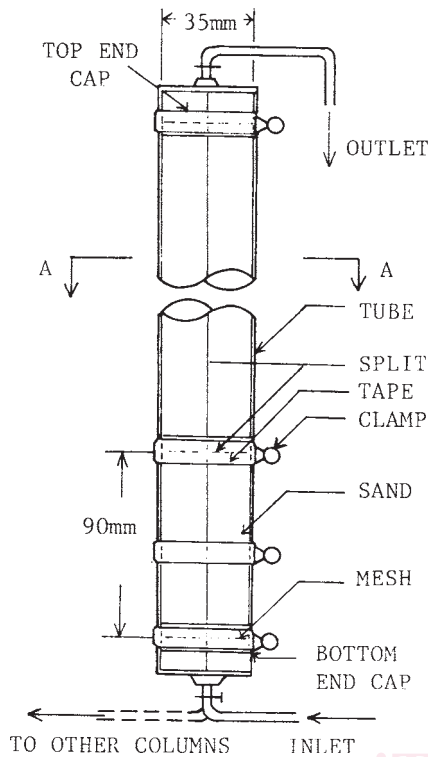


FIG. 1 Specimen Mold

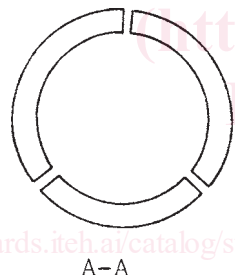


FIG. 2 Three piece multiple specimen mold

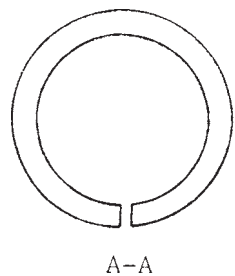


FIG. 3 Split tube multiple specimen mold

5.2 Grout Injection System—A system composed of the following components (Fig. 5):

5.2.1 *Mixing Tank*, capable of being pressurized to 30 psi (207 kPa) without leaking and able to contain all of the grout volume to be injected in one grouting operation. The tank will have an internal mixing device (such as a paddle wheel) or be able to accommodate the use of a magnetic stirrer. The tank will be fitted with a regulated air-pressure source and pressure gage.

NOTE 5—Alternatively, proportioning pump sets may be used. Such equipment may be of advantage when the grout gel times are too short for effective use of pressure-tank injection equipment.

5.2.2 *Tubing*, capable of transporting the grout from the mixing tank to the specimen mold or molds to be injected is required. A bleed valve located just before the mold injection inlet allows for air bubbles trapped in the grout lines to be removed before they move into the specimen.

5.3 *Balance*—A balance or scale of 1000-g capacity, sensitive to 0.1 g.

5.4 *Miscellaneous Equipment*—Tools such as: spoons, weighing dishes, etc., for handling and weighing soil and any dry grout components, graduate for measuring water and fluid grout components, tamping rod or vibrating tool or both for compaction of specimens to desired density, nylon screen having openings small enough to retain the soil to be grouted but otherwise as large as possible, and scissors for cutting.

5.5 *Leveling Device*—A leveling plate attached to a rod of sufficient length such that the plate can be oriented perpendicular to the long axis of the mold at any height within the mold, capable of fitting inside the mold with approximately 0.25-in. (6-mm) clearance.

5.6 *Moist Room or Cabinet*—A moist room or cabinet capable of maintaining a temperature of $73.4 \pm 2.0^\circ\text{F}$ ($23.0 \pm 1.1^\circ\text{C}$) and a relative humidity of not less than 96 % for moist curing specimens.

NOTE 6—Deviations from standard curing conditions are to be noted in the report.

6. Size of Specimens

6.1 Compression test specimens shall be right circular cylinders having a minimum diameter of 1.4 in. (36 mm). The height shall be between two and three times the diameter (2.3 is recommended).

7. Molding Specimens

7.1 Either single or multiple specimen molds may be used.

7.2 *Formation of Soil Specimen*—The mold to be used is assembled (with the top cap removed) and held vertically in a stable fashion while the soil sample is prepared using the following procedure:

7.2.1 A small piece of screen made of inert material is placed over the grout inlet at the bottom of the mold to retain filter material.

NOTE 7—The term “inert” refers to a material which does not interact in any way with the components of the specific grout being used.

7.2.2 The lower portion of the mold is filled with a layer (approximately 0.5 to 1 in. (12.5 to 25.4 mm)) of coarse sand or pea gravel to serve as a filter to disperse grout over the entire area of the specimen.

7.2.3 Insert the leveling device and smooth the surface of the filter material perpendicular to the long axis of the mold. Remove the leveling device and insert a piece of inert screen, having a diameter no more than 0.1 in. (2.5 mm) smaller than the inside of the mold. Position the screen flat on the filter surface.

7.2.4 The soil to be grouted is placed in layers and compacted to the desired density.